

U-GAGE® T30UX Series with Discrete Output



Ultrasonic Sensor with TEACH-Mode Configuration



- 1, 2 and 3 m (3.28, 6.56, and 9.84 ft) versions with short dead zones (10% of max range)
- Built-in temperature compensation
- Fast, easy-to-use TEACH-Mode programming; no potentiometer adjustments
- Remote TEACH for security and convenience
- Wide operating temperature range of -40° to +70° C (-40° to +158° F)
- Outputs can be set for either NPN (sinking) or PNP (sourcing), Normally Open (N.O.) or Normally Closed (N.C.)
- Compact, self-contained, right-angle sensor package with fully encapsulated electronics



Models

Models	Range and Frequency	Cable ¹	Supply Voltage	Discrete Output	Response Time
T30UXDA	100 mm to 1 m (3.9 in to 39 in) 224 kHz	Standard 2 m (6.5 ft) cable	10 to 30V dc	NPN, PNP, NO, NC, Selectable	45 ms
T30UXDB	200 mm to 2 m (7.8 in to 78 in) 174 kHz				92 ms
T30UXDC	300 mm to 3 m (11.8 in to 118 in) 114 kHz				135 ms



WARNING: Not To Be Used for Personnel Protection

Never use this device as a sensing device for personnel protection. Doing so could lead to serious injury or death. This device does not include the self-checking redundant circuitry necessary to allow its use in personnel safety applications. A sensor failure or malfunction can cause either an energized or de-energized sensor output condition.

¹ Only standard 2 m (6.5 ft) cable models are listed. For 4-Pin Euro-Style integral QD, add suffix "Q8" to the model number (for example, T30UXDAQ8). For 150 mm (6 in) PUR pigtail cable with 4-Pin threaded Euro-Style QD, add suffix "QPMA" to the model number (for example, T30UXDAQPMA). For 9 m (30 ft) cable, add suffix "W30" to the model number (for example, T30UXDA W30). A model with a QD connector requires a mating cable; see [Quick-Disconnect Cables](#) on page 11.

Overview

The U-GAGE® T30UX is an easy-to-use ultrasonic sensor with extended range and built-in temperature compensation. Simple push button configuration provides flexibility for a variety of applications.

Easy-to-see indicator LEDs communicate the status of the sensor. The Green “Power” LED ON indicates that the sensor is in Run Mode (the sensor’s normal operating condition). The Red “Signal” LED indicates the target signal strength. The Amber “Output” LED indicates that the output is enabled and the sensor is receiving a signal within the window limits (depending on NO or NC). The Amber “Mode” LED indicates the currently selected mode.



Figure 1. Features

Principles of Operation

Ultrasonic sensors emit one or multiple pulses of ultrasonic energy, which travel through the air at the speed of sound. A portion of this energy reflects off the target and travels back to the sensor. The sensor measures the total time required for the energy to reach the target and return to the sensor. The distance to the object is then calculated using the following formula: $D = ct \div 2$

D = distance from the sensor to the target

c = speed of sound in air

t = transit time for the ultrasonic pulse

To improve accuracy, an ultrasonic sensor may average the results of several pulses before outputting a new value.

Temperature Effects

The speed of sound is dependent upon the composition, pressure and temperature of the gas in which it is traveling. For most ultrasonic applications, the composition and pressure of the gas are relatively fixed, while the temperature may fluctuate.

In air, the speed of sound varies with temperature according to the following approximation:

$$\text{In metric units: } C_{m/s} = 20 \sqrt{273 + T_C}$$

$$\text{In English units: } C_{ft/s} = 49 \sqrt{460 + T_F}$$

$C_{m/s}$ = speed of sound in meters per second

$C_{ft/s}$ = speed of sound in feet per second

T_C = temperature in °C

T_F = temperature in °F

Temperature Compensation

Changes in air temperature affect the speed of sound, which in turn affects the total time for the echo measured by the sensor. An increase in air temperature shifts both sensing window limits closer to the sensor. Conversely, a decrease in air temperature shifts both limits farther away from the sensor. This shift is approximately 3.5% of the limit distance for a 20° C change in temperature.

The T30UX series ultrasonic sensors are temperature compensated. This reduces the error due to temperature by about 90%. The sensor will maintain its window limits to within 2.2% over the -40° to +70° C (-40° to +158° F) operating range of the sensor.



NOTE:

- Exposure to direct sunlight can affect the sensor’s ability to accurately compensate for changes in temperature.
- If the sensor is measuring across a temperature gradient, the compensation will be less effective.

Sensor Configuration

Two TEACH methods may be used to configure the sensor:

- Teach individual minimum and maximum limits, or
- Use Auto-Window feature to center a sensing window around the taught position.


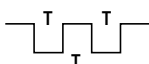


The sensor may be configured either via its push button, or via a remote switch. Remote configuration also may be used to disable the push button, preventing unauthorized personnel from adjusting the configuration settings. To access this feature, connect the white wire of the sensor to 0V dc, with a remote configuration switch between the sensor and the voltage.

Configuration is accomplished by following the sequence of input pulses. The duration of each pulse (corresponding to a push button “click”), and the period between multiple pulses, are as “T”: **0.04 seconds < T < 0.8 seconds**

Remote line configuration requires a greater than 1 second pause between pulse sequences.

Mode Setup - Output Configuration

Sensors can be set up for either NPN (sinking) or PNP (sourcing). In addition, the user can select between Normally Open (N.O.) and Normally Closed (N.C.) operation. Normally Open is defined as the output energizing when the target is present. Normally Closed is defined as the output energizing when the target is absent (see [Figure 2. Teaching independent minimum and maximum limits](#) on page 4).

	Push Button 0.04 sec. < “click” < 0.8 sec.		Remote Line 0.04 sec. < T < 0.8 sec.	
	Procedure	Result	Procedure	Result
Output Configuration Mode	Push and hold MODE push button for > 2 seconds 	Power LED: OFF Mode LED: Flashing Amber shows previously selected mode	Double-pulse the remote line 	Power LED: OFF Mode LED: Flashing Amber shows previously selected mode
Select Output	“Click” the MODE push button to cycle to correct selection: <ul style="list-style-type: none"> • NPN - Normally Open • NPN - Normally Closed • PNP - Normally Open • PNP - Normally Closed 	Power LED: OFF Mode LED: Flashes to indicate currently selected mode (120 second time out ²)	<ul style="list-style-type: none"> • Single-pulse for NPN - Normally Open • Double-pulse for NPN - Normally Closed • Triple-pulse for PNP - Normally Open • Quad-pulse for PNP - Normally Closed 	Power LED: ON Green Mode LED: ON to indicate currently selected mode (Sensor returns to RUN mode)
Save and Activate Mode	Push and hold MODE push button for > 2 seconds 	Power LED: ON Green Mode LED: ON Amber for selected mode	No action required; sensor will return to Run Mode	None

Teaching Minimum and Maximum Limits

General Notes on Teaching

- The sensor will return to RUN mode if the first TEACH condition is not registered within 120 seconds after the initial 2 second hold on the Discrete push button.
- To exit TEACH mode without saving any changes, press and hold the Discrete push button or remote line longer than 2 seconds (before teaching the second limit). The sensor will revert to the last saved limits.
- After the first limit is taught, the sensor will remain in TEACH mode until the TEACH sequence is finished or exited by a 2 second hold on the Discrete push button or remote line.

² The sensor will revert to previously saved configuration and return to RUN mode if TEACH is inactive for 120 seconds after the initial 2 second hold on push button

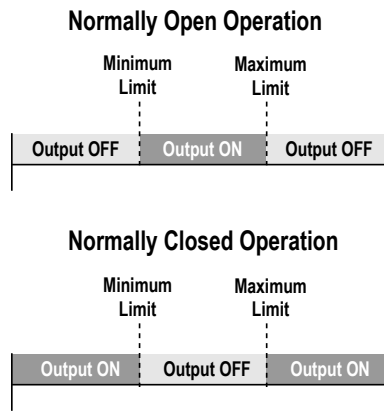


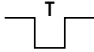




Figure 2. Teaching independent minimum and maximum limits

	Push Button 0.04 sec. < “click” < 0.8 sec.		Remote Line 0.04 sec. < T < 0.8 sec.	
	Procedure	Result	Procedure	Result
TEACH Mode	Push and hold the Discrete push button longer than 2 seconds 	Power LED: OFF Output LED: ON	No action required; sensor is ready for first limit teach	None
Teach First Limit	Position the target for the first limit (120 second time out)	Signal LED: Must be ON Red or Flashing Red ³	Position the target for the first limit	Signal LED: Must be ON Red or Flashing Red ³
	“Click” the Discrete push button 	Teach Accepted Power LED: OFF Output LED: Flashing Teach Not Accepted Output LED: ON	Single-pulse the remote line 	Teach Accepted Power LED: OFF Output LED: Flashing Teach Not Accepted Power LED: ON
Teach Second Limit	Position the target for the second limit (no time out)	Signal LED: Must be ON Red or Flashing Red	Position the target for the second limit (no time out)	Signal LED: Must be ON Red or Flashing Red
	“Click” the Discrete push button 	Teach Accepted Output LED: ON or OFF, depending on NO or NC Mode Power LED: ON Teach Not Accepted Output LED: Flashing Power LED: OFF	Single-pulse the remote line 	Teach Accepted Output LED: ON or OFF, depending on NO or NC Mode Power LED: ON Teach Not Accepted Output LED: Flashing Power LED: OFF

³ Sensor will not Teach or indicate “Teach Not Accepted” when there is no signal present (Signal LED Red or Flashing Red)

Teaching Limits Using the Auto-Window Feature

Teaching the same limit twice automatically centers a window on the taught position (see *Figure 4. Window Size* on page 5 for window sizes).

General Notes on Teaching

- The sensor will return to RUN mode if the TEACH condition is not registered within 120 seconds after the initial 2 second hold on the Discrete push button.
- To exit TEACH mode without saving any changes, press and hold the Discrete push button or remote line longer than 2 seconds (before teaching the second limit). The sensor will revert to the last saved limits.
- After the first limit is taught, the sensor will remain in TEACH mode until the TEACH sequence is finished or exited by a 2 second hold on the Discrete push button or remote line.

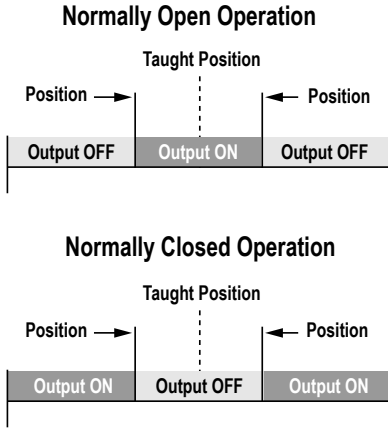


Figure 3. Using the Auto-Window feature for teaching each output

Models	Window
"A" suffix	± 10 mm (0.4 in)
"B" suffix	± 20 mm (0.8 in)
"C" suffix	± 30 mm (1.2 in)

Figure 4. Window Size

	Push Button 0.04 sec. < "click" < 0.8 sec.		Remote Line 0.04 sec. < T < 0.8 sec.	
	Procedure	Result	Procedure	Result
TEACH Mode	Push and hold the Discrete push button longer than 2 seconds	Power LED: OFF Output LED: ON	No action required; sensor is ready for first limit teach	None
Teach First Limit	Position the target for the center of window (120 second time out)	Signal LED: Must be ON Red or Flashing Red ⁴	Position the target for the center of window	Signal LED: Must be ON Red or Flashing Red ⁴
	"Click" the Discrete push button	Teach Accepted Power LED: OFF Output LED: Flashing Teach Not Accepted Output LED: ON	Single-pulse the remote line	Teach Accepted Power LED: OFF Output LED: Flashing Teach Not Accepted Output LED: ON
Re-Teach Limit	Without moving the target, "click" the Discrete push button again	Teach Accepted Output LED: ON or OFF, depending on NO or NC Mode	Without moving the target, single-pulse the remote line again	Teach Accepted Output LED: ON or OFF, depending on NO or NC Mode

⁴ Sensor will not Teach or indicate "Teach Not Accepted" when there is no signal present (Signal LED Red or Flashing Red)

	Push Button 0.04 sec. < “click” < 0.8 sec.		Remote Line 0.04 sec. < T < 0.8 sec.	
	Procedure	Result	Procedure	Result
		Power LED: ON Teach Not Accepted Output LED: Flashing Power LED: OFF		Power LED: ON Teach Not Accepted Output LED: Flashing Power LED: OFF

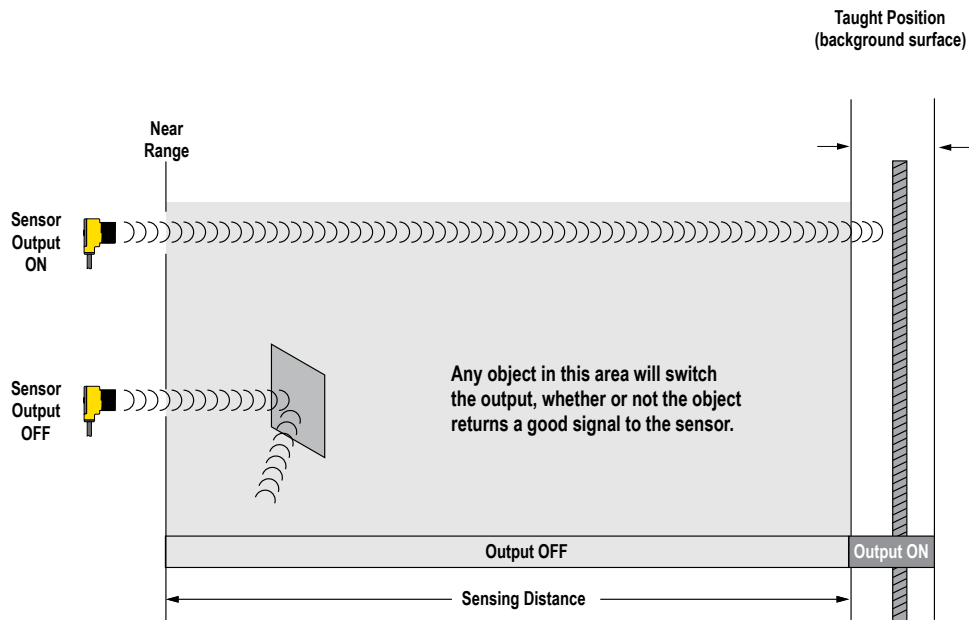


Figure 5. An application for the Auto-Window feature (retroreflective mode)

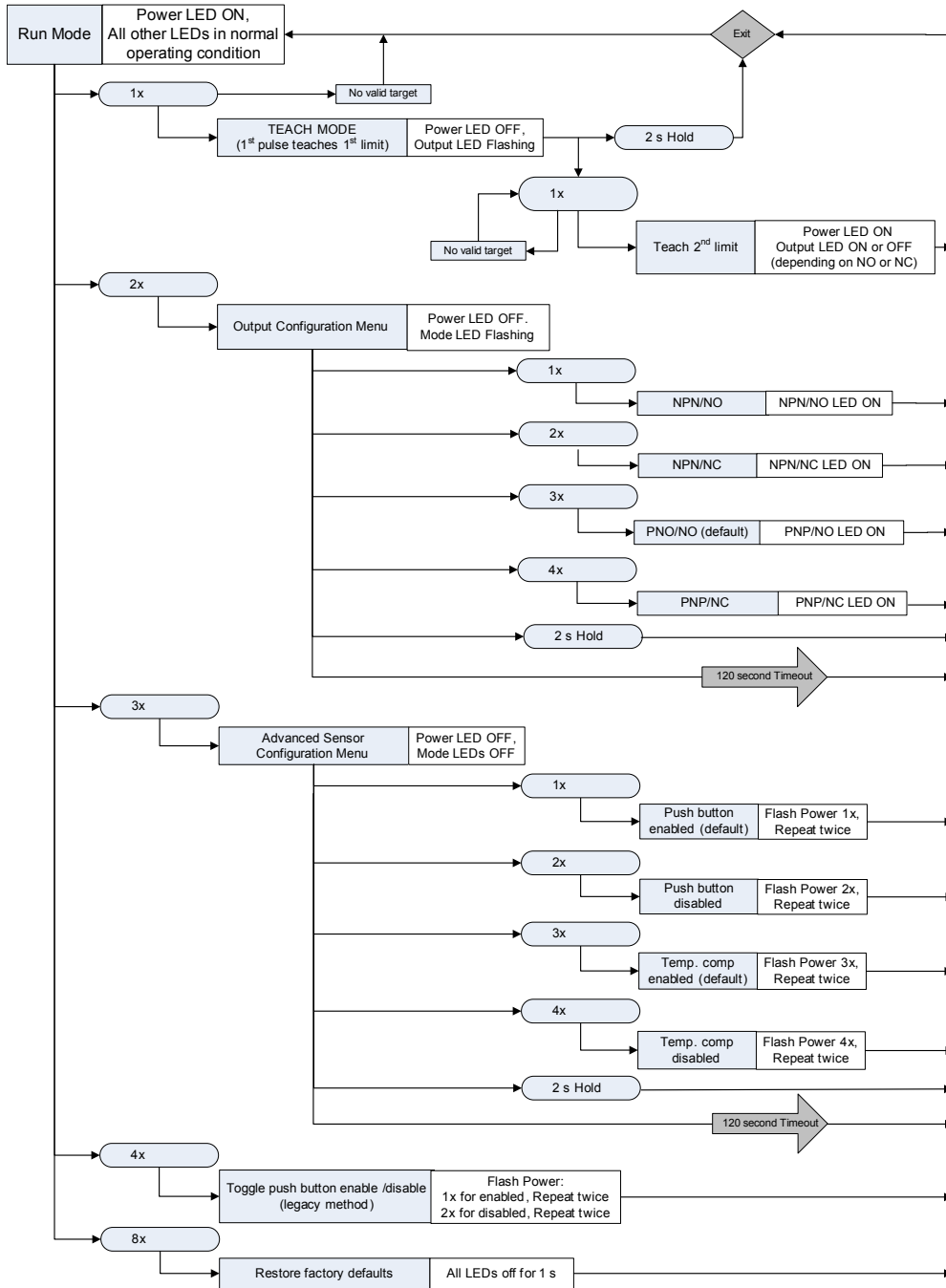
Remote Line TEACH

General Notes

- Run Mode is the sensor’s normal operating condition
- The duration of each Pulse is defined as “T”: $0.04 < T < 0.8 \text{ s}$



- A Hold will exit TEACH MODE and return to Run Mode with previously saved changes. The duration of a Hold is: $T > 2 \text{ s}$
- A Timeout will occur if a condition is not registered within 120 seconds, causing the sensor to return to Run Mode (during sensor configuration only)
- Sensor configuration user feedback shown on Green LED. See flowchart.
- The Red Signal LED will be ON whenever the target is in view.



Specifications

Sensing Range

- “A” suffix models: 100 mm to 1 m (3.9 in to 39 in)
- “B” suffix models: 200 mm to 2 m (7.8 in to 78 in)
- “C” suffix models: 300 mm to 3 m (11.8 in to 118 in)

Ultrasonic Frequency

- “A” suffix models: 224 kHz
- “B” suffix models: 174 kHz
- “C” suffix models: 114 kHz

Supply Voltage

10 to 30V dc (10% max. ripple) at 40 mA, exclusive of load

Supply Protection Circuitry

Protected against reverse polarity and transient voltages

Output Configuration

Discrete (switched) output models: SPST solid-state switch. Configurable as NPN (sinking) or PNP (sourcing) via Mode push button. Normally Open (NO) or Normally Closed (NC) operation is also selectable via Mode push button (see [Mode Setup - Output Configuration](#) on page 3).

The default setting is PNP/NO

Output Rating

- Discrete output models:** 100 mA max.
- OFF-state leakage current:** NPN: < 200 μ A at 30V dc (see NOTE 1); PNP: < 10 μ A at 30V dc
- ON-state saturation voltage:** NPN: < 1.6V at 100 mA; PNP: < 3V at 100 mA

Output Protection Circuitry

Protected against short circuit conditions

Output Response Time

- “A” suffix models: 45 ms
- “B” suffix models: 92 ms
- “C” suffix models: 135 ms

Delay at Power-up

500 ms

Temperature Effect

0.02% of distance/°C

Repeatability

- “A” suffix models: 0.1% of distance (0.5 mm min.)
- “B” suffix models: 0.1% of distance (1.0 mm min.)
- “C” suffix models: 0.1% of distance (1.5 mm min.)

Sensing Hysteresis

- “A” suffix models: 2 mm
- “B” suffix models: 3 mm
- “C” suffix models: 4 mm

Minimum Window Size

10 mm (0.4 in)

Adjustments

Sensing window limits: TEACH-Mode of near and far window limits may be set using the push button or remotely via TEACH input.

Output Configuration: NPN, PNP, Normally Open (NO), Normally Closed (NC) select (see [Mode Setup - Output Configuration](#) on page 3 or [Remote Line TEACH](#) on page 6).

Advanced configuration options: Push button enabled/disabled, temperature compensation enabled/disabled (see [Remote Line TEACH](#) on page 6)

Indicators

See [Figure 1. Features](#) on page 2

Construction

- Housing:** PBT polyester
- Push buttons:** polyester
- Transducer:** epoxy /ceramic composite

Environmental Rating

Leakproof design, rated IP67 (NEMA 6)

Connections

2 m (6.5 ft) or 9 m (30 ft) shielded 4-conductor (with drain) PVC cable, 150 mm (6 in) PUR Euro-style pigtail (QPMA), or 4-pin integral Euro-style connector (Q8)

Operating Conditions

- Temperature:** -40 °C to +70 °C (-40 °F to +158 °F)
- Humidity:** 95% at +50 °C (non-condensing)

Vibration and Mechanical Shock

All models meet Mil. Std. 202F requirements method 201A (vibration: 10 to 60 Hz max., double amplitude 0.06 in, max acceleration 10G). Also meets IEC 947-5-2; 30G 11 ms duration, half sine wave

Application Note

The temperature warmup drift upon power-up is less than 1% of the sensing distance.

Certifications

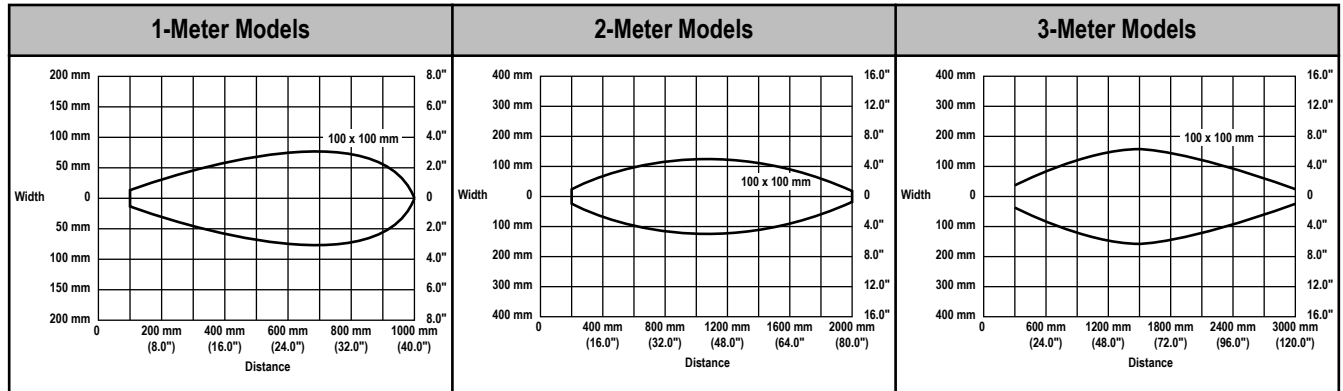
CE Pending



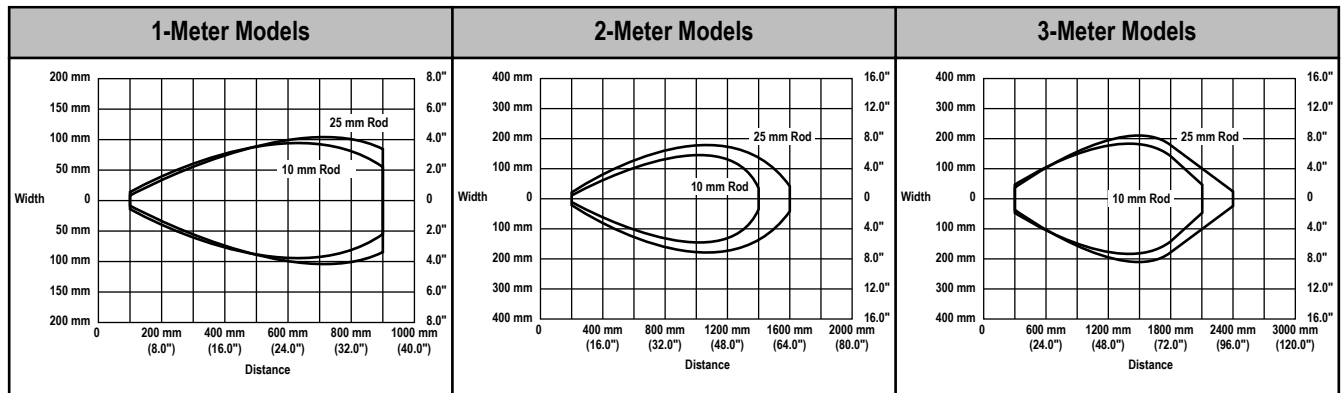
NOTE 1: NPN < 200 μ A for load impedance > 3 k Ω ; for load current of 100 mA, leakage < 1% of load current

Performance Curves

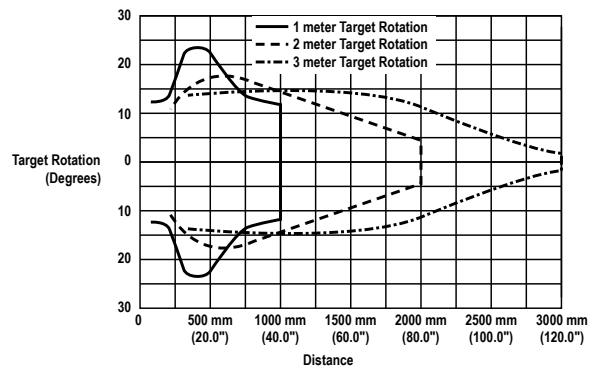
With Plate Target (Typical)



With Rod Target (Typical)

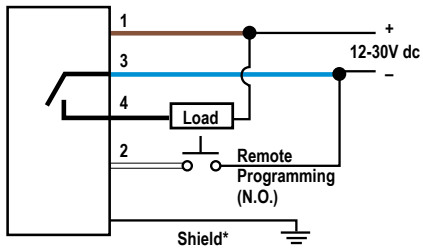


Maximum Target Rotation Angle



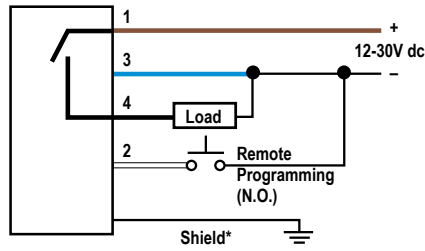
Hookups

NPN (Sinking) Output Selected



* It is recommended that the shield wire be connected to either earth ground or DC common.

PNP (Sourcing) Output Selected



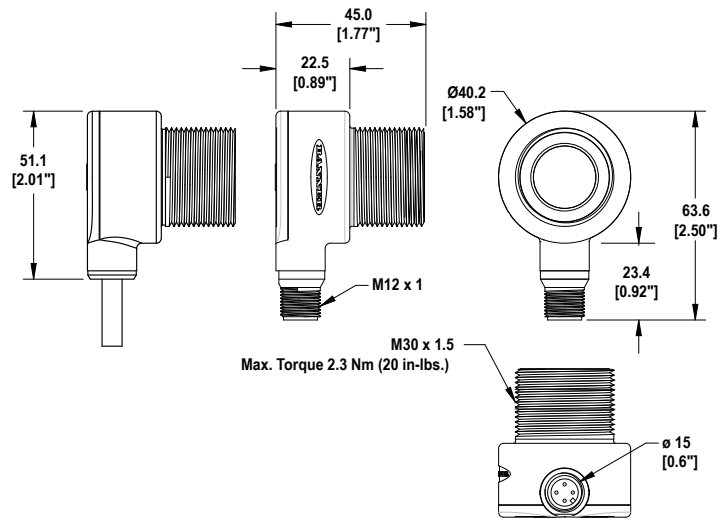
* It is recommended that the shield wire be connected to either earth ground or DC common.

Wiring Key

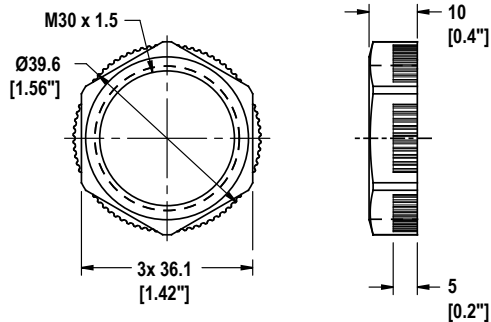
- 1 = Brown
- 2 = White
- 3 = Blue
- 4 = Black

Cable and QD hookups are functionally identical.
Shielded cordsets are recommended for all QD models.

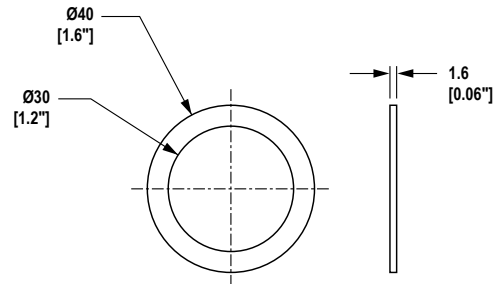
Dimensions



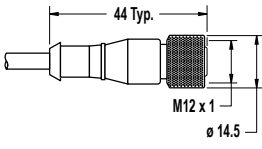
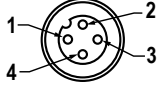
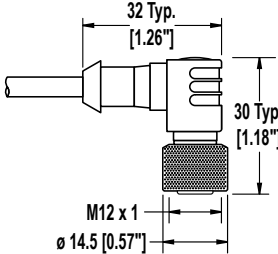
Locknut (included with all models)



Washer (included with all models)



Quick-Disconnect Cables

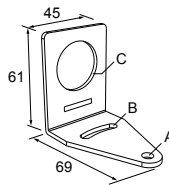
4-Pin Threaded M12/Euro-Style Cordsets with Shield				
Model	Length	Style	Dimensions	Pinout
MQDEC2-406	1.83 m (6 ft)	Straight		 <p>1 = Brown 2 = White 3 = Blue 4 = Black</p>
MQDEC2-415	4.57 m (15 ft)			
MQDEC2-430	9.14 m (30 ft)			
MQDEC2-406RA	1.83 m (6 ft)	Right-Angle		
MQDEC2-415RA	4.57 m (15 ft)			
MQDEC2-430RA	9.14 m (30 ft)			

Brackets

All measurements are in mm.

SMB30A

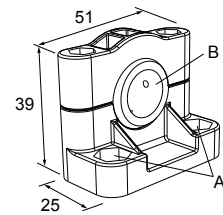
- Right-angle bracket with curved slot for versatile orientation
- Clearance for M6 (1/4 in) hardware
- Mounting hole for 30 mm sensor
- 12-ga. stainless steel



Hole center spacing: A to B=40
Hole size: A=ø 6.3, B= 27.1 x 6.3, C=ø 30.5

SMB1815SF

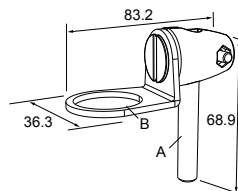
- Swivel with set screws for mounting sensors by the cable hub
- Black reinforced thermo-plastic polyester
- Stainless steel swivel locking hardware and hex wrench included



Hole center spacing: A = 36.0
Hole size: A = ø 5.0, B = ø 15.0

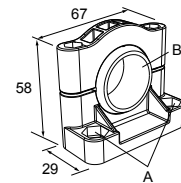
SMB30FA

- Swivel bracket with tilt and pan movement for precise adjustment
- Mounting hole for 30 mm sensor
- 12-ga. 304 stainless steel
- Easy sensor mounting to extrude rail T-slot
- Metric and inch size bolt available



SMB30SC

- Swivel bracket with 30 mm mounting hole for sensor
- Black reinforced thermo-plastic polyester
- Stainless steel mounting and swivel locking hardware included



Hole center spacing: A=ø 50.8
Hole size: A=ø 7.0, B=ø 30.0

Bolt thread: SMB30FA, A= 3/8 - 16 x 2 in; SMB30FAM10, A=
M10 - 1.5 x 50
Hole size: B= ø 30.1

Banner Engineering Corp Limited Warranty

Banner Engineering Corp. warrants its products to be free from defects in material and workmanship for one year following the date of shipment. Banner Engineering Corp. will repair or replace, free of charge, any product of its manufacture which, at the time it is returned to the factory, is found to have been defective during the warranty period. This warranty does not cover damage or liability for misuse, abuse, or the improper application or installation of the Banner product.

THIS LIMITED WARRANTY IS EXCLUSIVE AND IN LIEU OF ALL OTHER WARRANTIES WHETHER EXPRESS OR IMPLIED (INCLUDING, WITHOUT LIMITATION, ANY WARRANTY OF MERCHANTABILITY OR FITNESS FOR A PARTICULAR PURPOSE), AND WHETHER ARISING UNDER COURSE OF PERFORMANCE, COURSE OF DEALING OR TRADE USAGE.

This Warranty is exclusive and limited to repair or, at the discretion of Banner Engineering Corp., replacement. **IN NO EVENT SHALL BANNER ENGINEERING CORP. BE LIABLE TO BUYER OR ANY OTHER PERSON OR ENTITY FOR ANY EXTRA COSTS, EXPENSES, LOSSES, LOSS OF PROFITS, OR ANY INCIDENTAL, CONSEQUENTIAL OR SPECIAL DAMAGES RESULTING FROM ANY PRODUCT DEFECT OR FROM THE USE OR INABILITY TO USE THE PRODUCT, WHETHER ARISING IN CONTRACT OR WARRANTY, STATUTE, TORT, STRICT LIABILITY, NEGLIGENCE, OR OTHERWISE.**

Banner Engineering Corp. reserves the right to change, modify or improve the design of the product without assuming any obligations or liabilities relating to any product previously manufactured by Banner Engineering Corp.



more sensors, more solutions

www.bannerengineering.com - tel: 763-544-3164