

Φ100 LED Signal Light



## New LED strobe-flashing beacon! Available in five LED Colors!



### Features: LFH

- Available in 12VDC, 24VDC, 48VDC and 90-250VAC
- 5 Dome Colors of Red, Yellow, Green, Blue and Clear/White
- Triple Flash (110 fpm ±10%)
- Indoor/Outdoor Use
- IP66 (IEC60529)
- Vibration Resistance of 9G (90m/s<sup>2</sup>)
- RoHS Directive
- CAN/ULC-S526-M87
- CE Marking (Excluding 48VDC Model)
- UL 1638 Compliance
- FCC Part 15 Subpart B Class A (Excluding 48VDC Model)
- ECE-compliant (Required for Auto and Traffic Equipement)
- Dimming function for night-time and short-distance applications (DC type Only)

### Specifications: LFH

Model	LFH-12	LFH-24	LFH-48	LFH-M2
<b>Rated Voltage</b>	12V DC	24V DC	48V DC	90-250V AC
<b>Current Consumption (max)</b>	0.50A	0.23A	0.18A	0.12A
<b>Operating Ambient Temperature Range</b>	-30°C to +70°C		-20°C to +60°C	
<b>Protection Rating</b>	IP66			
<b>Mounting Location</b>	Indoor or Outdoor Use			
<b>Flash Rate</b>	110 ±10fpm (Triple-flash)			
<b>Certifications</b>	UL, CE <sup>*1</sup> , RoHS, FCC			
<b>Mass</b>	0.57kg		0.61kg	

\*1 LFH-48 not CE certified.

### Features: LFK

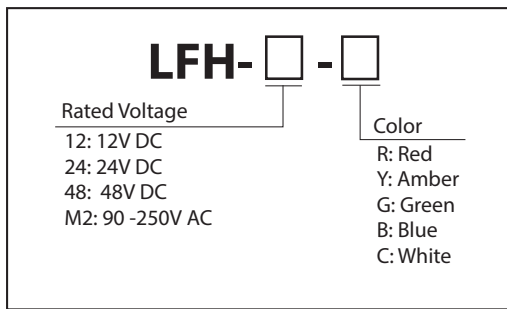
- Available in 12VDC, 24VDC, and 48VDC
- 5 Dome Colors of Red, Yellow, Green, Blue and Clear/White
- Triple Flash (140 fpm ±10%)
- Indoor/Outdoor Use
- IP55 (IEC60529)
- Vibration Resistance of 7G (70m/s<sup>2</sup>)
- RoHS Directive
- ECE-compliant (Required for Auto and Traffic Equipement)
- Dimming function for night-time and short-distance applications
- CE Marking (Excluding 48VDC Model)

### Specifications: LFK

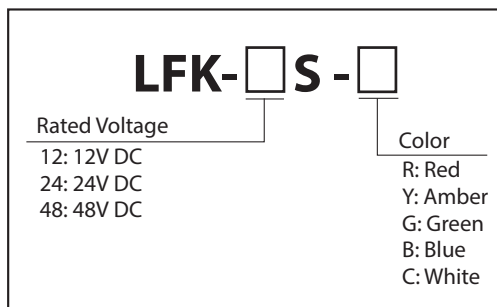
Model	LFK-12S	LFK-24S	LFK-48S
<b>Rated Voltage</b>	12V DC	24V DC	48V DC
<b>Current Consumption (max)</b>	0.49A	0.19A	0.17A
<b>Operating Ambient Temperature Range</b>	-20°C to +60°C		
<b>Protection Rating</b>	IP55		
<b>Mounting Location</b>	Indoor or Outdoor Use		
<b>Flash Rate</b>	140 ±14fpm (Triple-flash)		
<b>Certifications</b>	CE <sup>*1</sup> , RoHS, ECE		
<b>Mass</b>	0.5kg		

\*1 LFK-48 not CE certified.

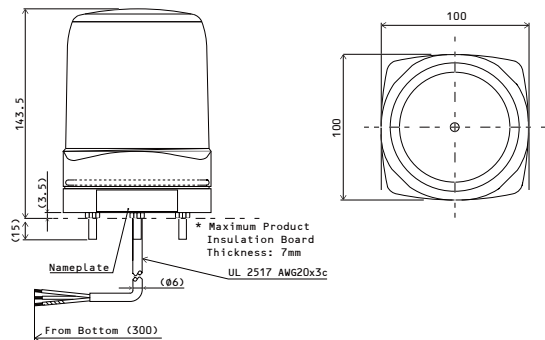
## How to Order LFH



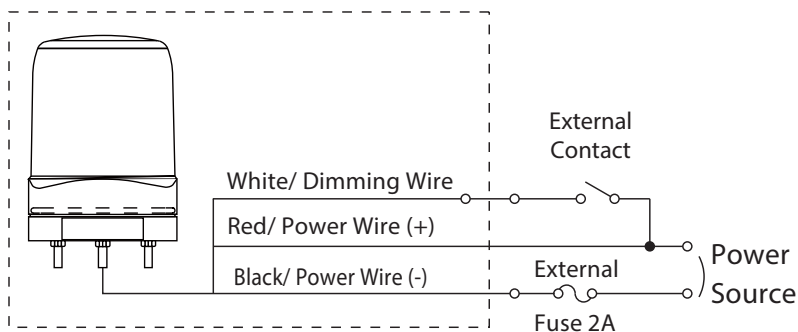
## How to Order LFK



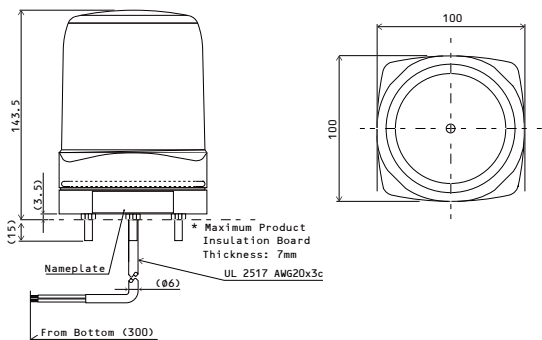
## LFH/LFK Dimensions



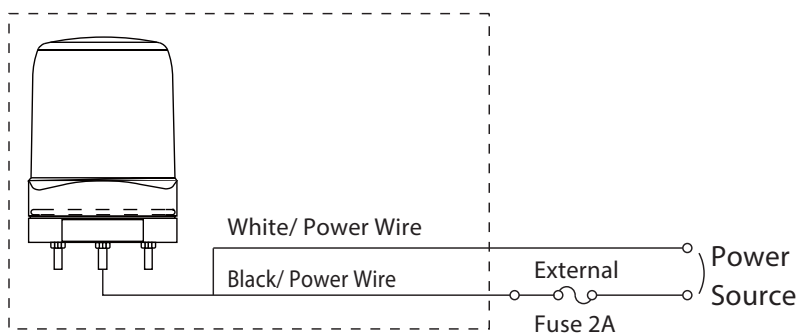
## LFH/LFK Wiring



## LFH-M2 Dimensions



## LFH-M2 Wiring



Search for **Patlite** at <http://www.patlite.com>

### PATLITE Corporation

E-mail: [overseas@patlite.co.jp](mailto:overseas@patlite.co.jp)

8-8, Matsuyamachi, Chuo-ku, Osaka, Japan 542-0067  
International Division, Sales and Marketing Department  
TEL: +81-6-6763-8220 FAX: +81-6-6763-8221

### PATLITE (U.S.A.) Corporation

E-mail: [sales@patlite.com](mailto:sales@patlite.com)

20130 S. Western Ave. Torrance, CA90501, U.S.A.  
TEL: +1-310-328-3222 FAX: +1-310-328-2676

### PATLITE (SINGAPORE) PTE LTD

E-mail: [sales@patlite.com.sg](mailto:sales@patlite.com.sg)

No.2 Leng Kee Road, #05-01 Thye Hong Centre, Singapore 159086  
TEL: +65-6226-1111 FAX: +65-6324-1411

### PATLITE (CHINA) Corporation

E-mail: [sales@patlite.cn](mailto:sales@patlite.cn)

Room 512, Jufeng Business Building, No.697-3 Lingshi Road, Shanghai China 200072  
TEL: +86-21-6630-8969 FAX: +86-21-6630-8938

### PATLITE Europe GmbH

E-mail: [info@patlite.eu](mailto:info@patlite.eu)

Am Soeldnermoos 8, D-85399 Hallbergmoos, Germany  
TEL: +49-811 9981 9770-0 FAX: +49-811 9981 9770-9

### PATLITE KOREA CO., LTD.

E-mail: [sales@patlite.co.kr](mailto:sales@patlite.co.kr)

A-2603, Daesung D-POLIS, 543-1 Gasan-dong, Geumcheon-gu, Seoul, 153-803  
TEL: +82-2-523-6636 FAX: +82-2-861-9919

### PATLITE Japan Representative Office in Taiwan

7F. No. 91, Huayin St, Datong District Taipei, Taiwan R.O.C  
TEL: +886-2-2555-1611 FAX: +886-2-2555-1621

### P.T. PATLITE INDONESIA (FACTORY)

LOT 321 Batamindo Industrial Park, Jalan Beringin Mukakuning, Batam 29433 Indonesia  
TEL: +62-770-61-1123 FAX: +62-770-61-2444



To ensure correct use of these products, read the Instruction Manual prior to use.  
Failure to follow all safeguards can result in fire, electric shock, or other accidents.  
Specifications are subject to change without notice.



ISO9001:2008 Certified  
ISO14001:2004 Certified  
Headquarters / Sanda Plant



**PATLITE ECO PROJECT**

For the benefit of mankind and the earth, PATLITE is committed to developing environmentally friendly products.