



LHE-A

LHE-A

Signal Tower



LED

2 Alarm Sounds (FB Type)

90dB at 1m (FB Type)

IP65 (FB Type:IP54)

Ø70

NPN/PNP
Open-collector



Adjustable Volume
(Max. 85dB at 1m)



The Signal Tower with a water resistant design for wet environments.



Dual Reflection System

PATLITE's original dual reflection system with its exclusive hybrid prism-cut lens and 5 color LED modules creates a bright, distinctive and even illumination.

FEATURES

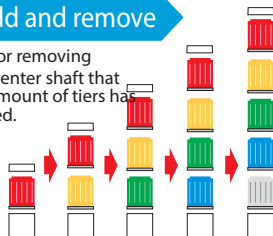
- Original LED reflection system to improve brightness and provide maintenance-free operation.
- Two built-in alarms (FB type)
- Adjustable volume of up to 90dB (at 1m).
- Direct mount installation is standard; pole-mount is available with the optional mounting pole.
- Interchangeable Modules need no re-wiring, even after installation.
- Lens is made of superior impact and heat resistant AS resin for superior durability and light transmission.
- Available colors are in Red, Amber, Green, Blue, and Clear/White.
- Has the CE mark and conforms to the requirements for the EC directive. (for 24V type)
- Is a UL Recognized Component (File No. E215660, for 24V type only).

How to Order

LHE-502AFB-RYGBC			
Tiers	Rated Voltage	Type	Color
1~5	02: AC/DC 24V 10: AC 100V 12: AC 120V 20: AC 220V	Blank: Continuous light FB: Flashing/ Alarm	R: Red Y: Amber G: Green B: Blue C: Clear/White (Top to bottom)

Easy to add and remove

- When adding or removing modules, the center shaft that matches the amount of tiers has to be purchased.



Interchangeable LED Modules

Changeable color sequence: Easy to add/remove up to 5 colored modules even after installation.

Note: LED modules of the same color within a signal tower will light up simultaneously.

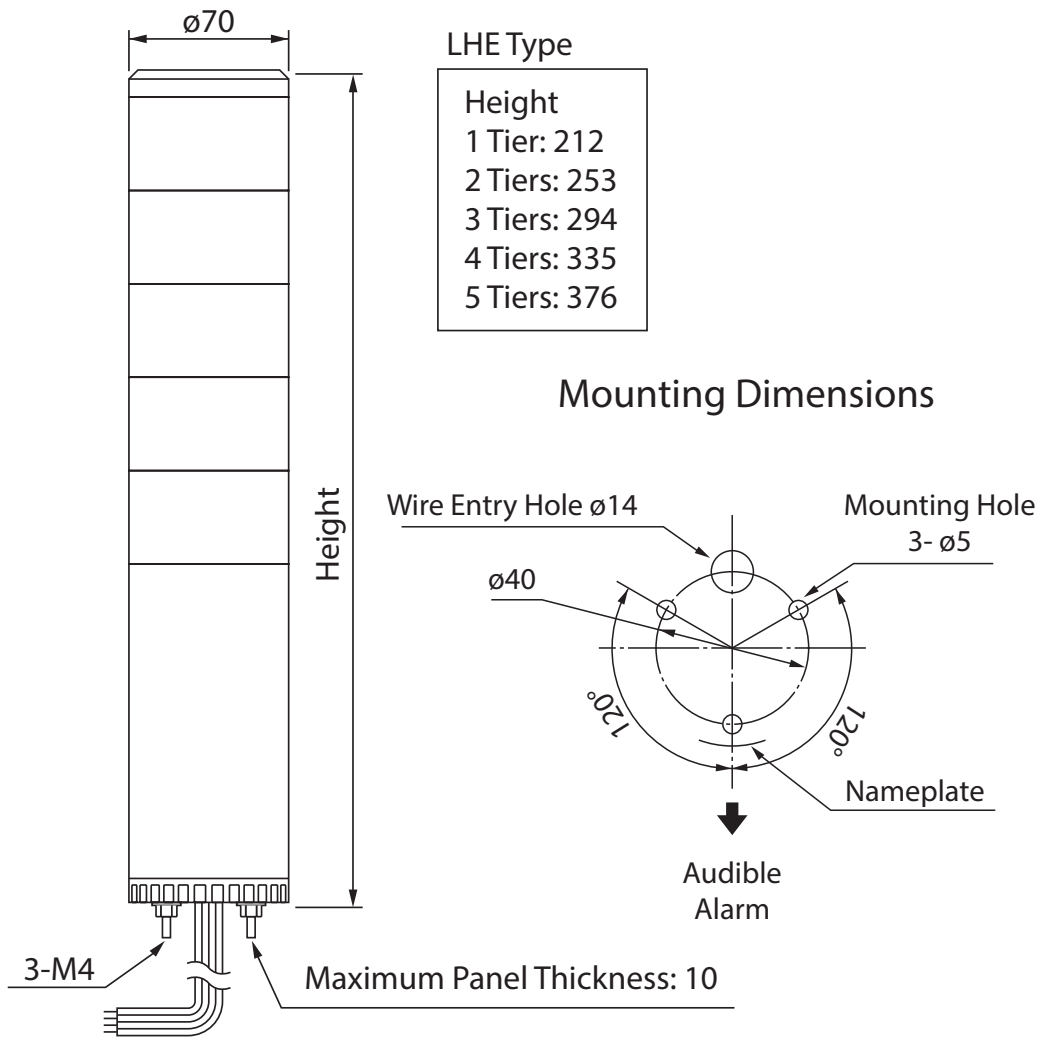


Wiring doesn't change

- The LED Module colors correspond to the wiring, so re-wiring is not necessary.

Dimensions

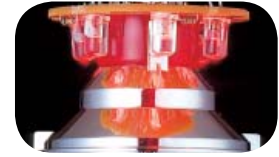
"Super Bright" LED provides the Highest level of visibility.



LHE Type

Height
1 Tier: 212
2 Tiers: 253
3 Tiers: 294
4 Tiers: 335
5 Tiers: 376

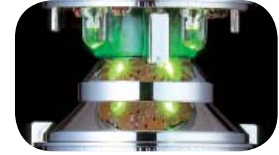
Mounting Dimensions



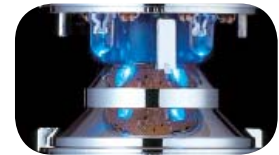
RED



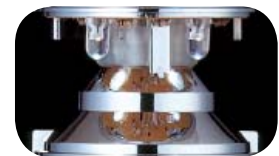
AMBER



GREEN



BLUE



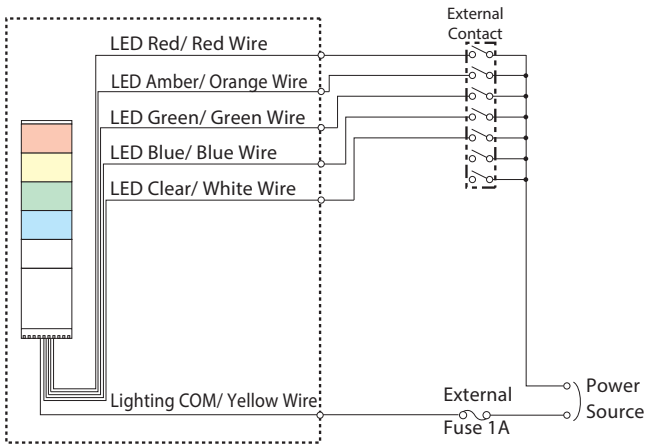
CLEAR/WHITE

(Unit: mm)

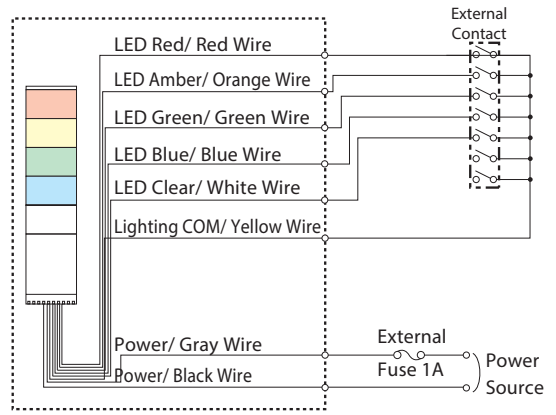
Specifications

Stack Number	Model	Rated Voltage	Power Consumption	Mass
1 Tier	LHE -102A/AFB	AC/DC 24V	2.2W	400g
	LHE -110A/AFB	AC 100V	4.7W	650g
	LHE -112A/AFB	AC 120V		
	LHE -120A/AFB	AC 220V		
2 Tiers	LHE -202A/AFB	AC/DC 24V	3.4W	450g
	LHE -210A/AFB	AC 100V	6.4W	700g
	LHE -212A/AFB	AC 120V		
	LHE -220A/AFB	AC 220V		
3 Tiers	LHE -302A/AFB	AC/DC 24V	4.4W	500g
	LHE -310A/AFB	AC 100V	7.9W	750g
	LHE -312A/AFB	AC 120V		
	LHE -320A/AFB	AC 220V		
4 Tiers	LHE -402A/AFB	AC/DC 24V	5.4W	550g
	LHE -410A/AFB	AC 100V	9.4W	800g
	LHE -412A/AFB	AC 120V		
	LHE -420A/AFB	AC 220V		
5 Tiers	LHE -502A/AFB	AC/DC 24V	6.4W	600g
	LHE -510A/AFB	AC 100V	10.9W	850g
	LHE -512A/AFB	AC 120V		
	LHE -520A/AFB	AC 220V		

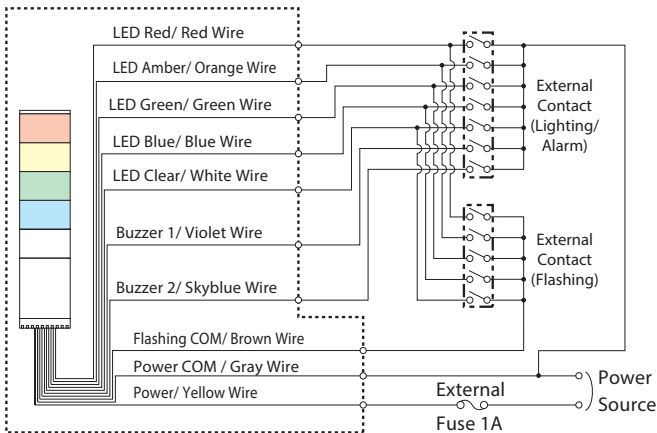
• AC/DC 24V Lighting Type



• AC Power Lighting Type



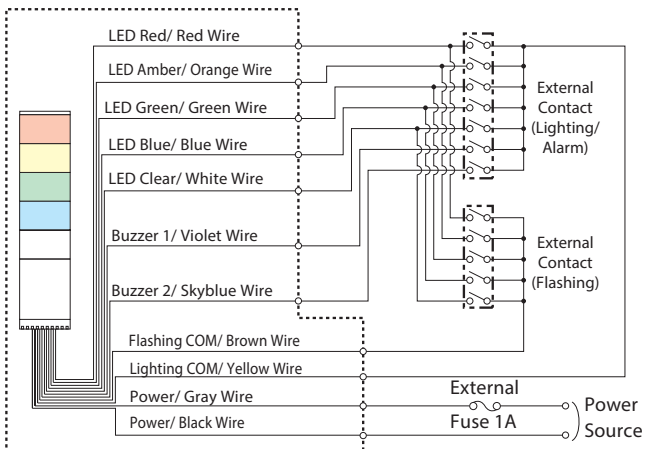
• AC/DC 24V Lighting/Flashing Type



Signal Line voltage and current per LED Module

Rated Voltage	Signal Line Voltage	LED		Alarm	
		Signal Line Current R, Y	G, C, B	Signal Line Current	Inrush Current
AC/DC 24V	AC/DC 24V	50mA	40mA	40mA	150mA
AC 100V	DC 24V	50mA	40mA		
AC 120V					
AC 220V					

• AC Power Lighting/Flashing Type



Lead-wire color coordination table

LED Unit Color	Lead Wire Color
Red	Red
Amber	Orange
Green	Green
Blue	Blue
Clear/White	White

Alarm Sounds	Lead Wire Color
Buzzer 1	Purple
Buzzer 2	Skyblue