

# LMS

## Signal Tower



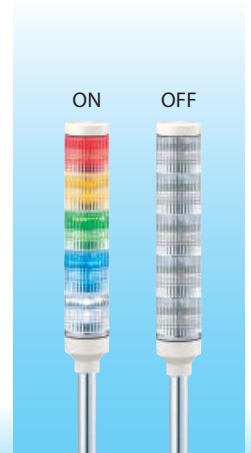
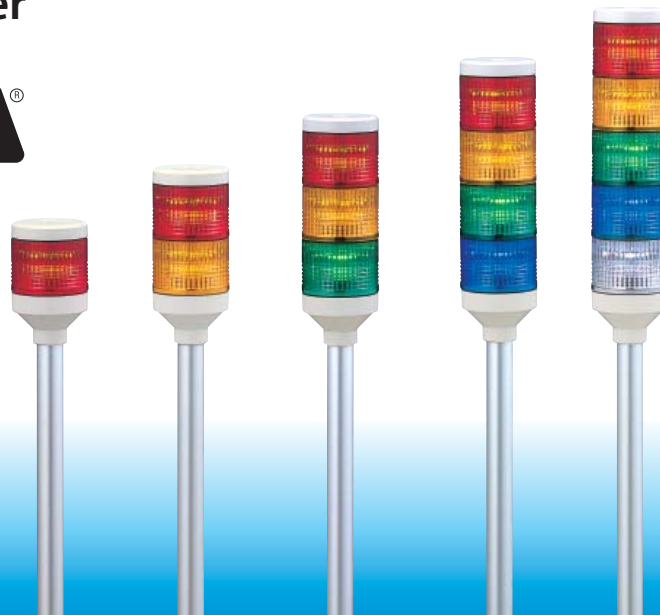
LED



IP65

Ø60

NPN/PNP  
Open-collector



When ordering the clear-lens Signal Tower type, be sure to add "-Z" at the end of the part number when ordering

## Versatile, cost and energy efficient LED Signal Tower for every need.



Reflection System



High visibility from any angle

### FEATURES

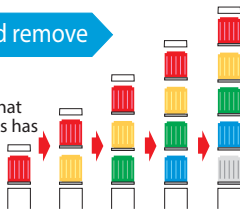
- PATLITE's exclusive hybrid prism-cut lens designed for enhanced visibility from any direction and distance.
- Original Dual Reflection System for enhanced light diffusion; creating bright, distinctive illumination while saving energy.
- Pole-mount installation.
- Interchangeable Modules need no re-wiring, even after installation.
- Main body is constructed of ABS resin with superior resistance to impact and heat.
- Lens is made of superior impact resistant and light translucent AS resin.
- Available colors are in Red, Amber, Green, Blue, and Clear/White.
- Has the CE mark and conforms to the requirements for the EC directive.
- Is a UL Recognized Component (File No. E215660)

### AVAILABLE BY SPECIAL ORDER

- Model LMS-U: Silver Color Body (FB060 type).

### Easy to add and remove

- When adding or removing modules, the center shaft that matches the amount of tiers has to be purchased.



### Interchangeable LED Modules

Changeable color sequence: Easy to add/remove up to 5 colored modules even after installation.

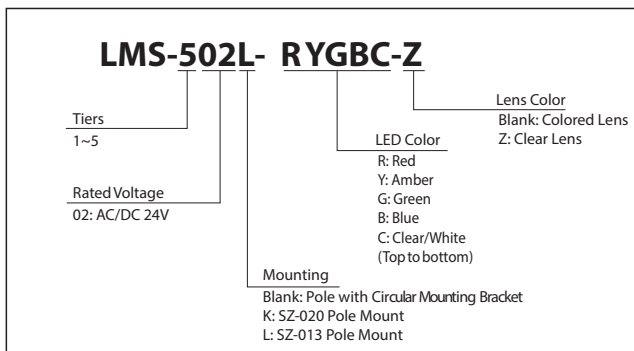
Note: LED modules of the same color within a signal tower will light up simultaneously.

### Wiring doesn't change

- The LED Module colors correspond to the wiring, so re-wiring is not necessary.

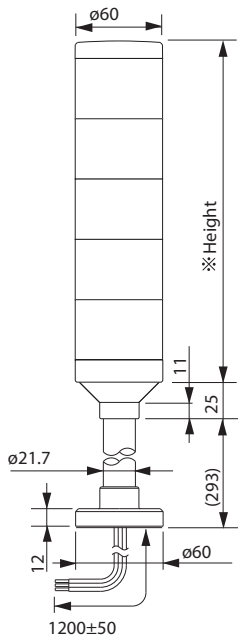


## How to Order



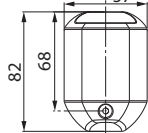
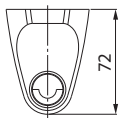
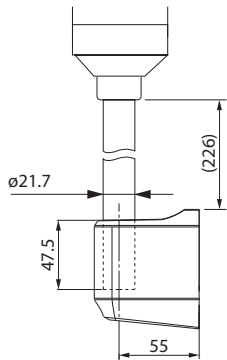
# Dimensions

LMS

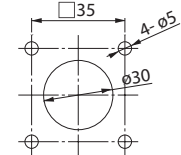


LMS Type  
 ※Height  
 1 Tier: 69.2  
 2 Tiers: 110.4  
 3 Tiers: 151.6  
 4 Tiers: 192.8  
 5 Tiers: 234.0

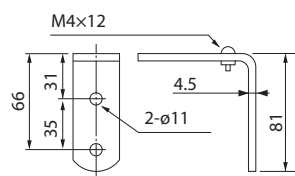
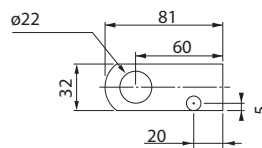
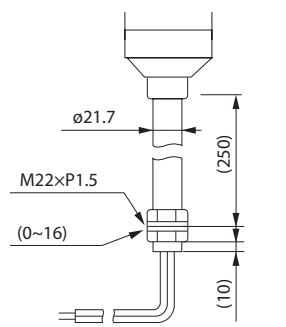
LMS-K



Mounting Dimensions (LMS-K)



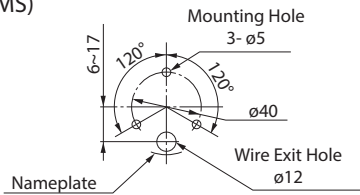
LMS-L



(Unit: mm)

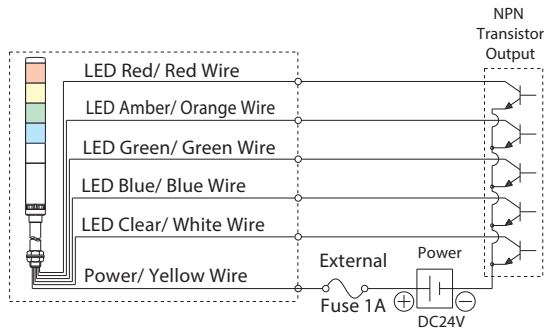


Mounting Dimensions (LMS)

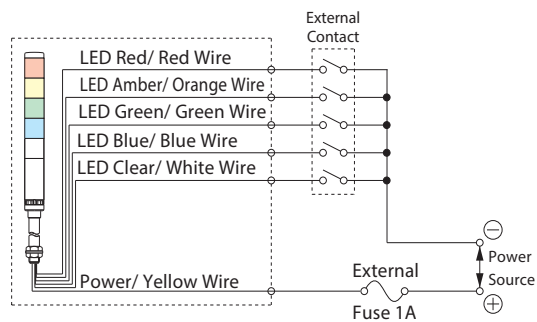


# Wiring

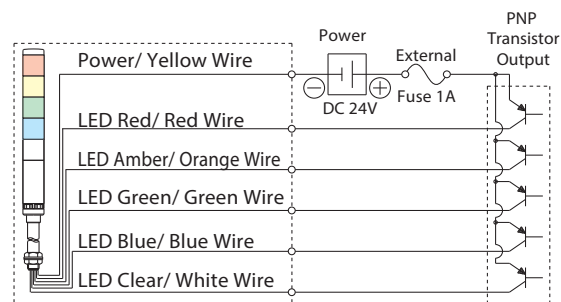
- DC 24V NPN Type



- AC/DC 24V Lighting Type



- DC 24V NPN FB Type



# Specifications

Stack Number	Model	Rated Voltage	Power Consumption	Mass		
				LMS	LMS-L	LMS-K
1 Tier	LMS-102	AC/DC 24V	1.2W	290g	620g	420g
2 Tiers	LMS-202		2.4W	340g	670g	480g
3 Tiers	LMS-302		2.8W	390g	720g	540g
4 Tiers	LMS-402		3.2W	440g	770g	600g
5 Tiers	LMS-502		3.6W	490g	820g	660g