

# NE-24

## LED Dome Signal Light



LED



IP65

Ø57

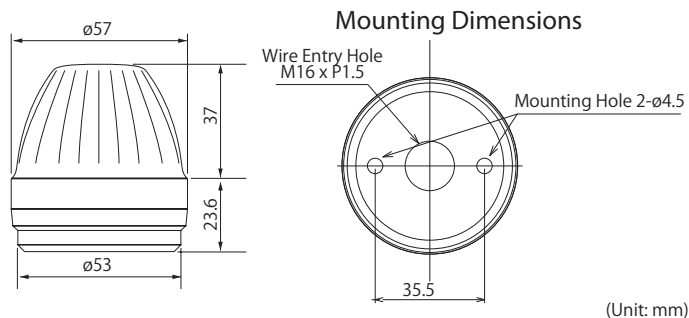
NPN/PNP  
Open-collector

## NE Series LED Dome Indicator Light; The dome-shaped globe provides increased visibility while the LEDs provide years of maintenance-free operation.

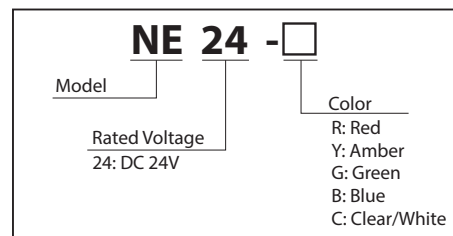
### FEATURES

- Enhanced illumination with the use of long-life, super bright LEDs.
- Low power consumption increases energy efficiency.
- High vibration-resistance and unnecessary bulb replacement makes it maintenance-free.
- Uses a terminal block for easy wiring.
- Applications are suitable for small tooling machines, control panels, etc.
- Available colors are in Red, Amber, Green, Blue, and Clear/White.
- Has the CE mark and conforms to the requirements for the EC directive.

### Dimensions



### How to Order



### Specifications

Model	Color	Rated Voltage	Power Consumption	Operating Temperature Range	Mass
NE-24-R	RED	DC 24V	0.63W	-30 C - +50 C	55g
NE-24-Y	AMBER				
NE-24-G	GREEN				
NE-24-B	BLUE				
NE-24-C	CLEAR/WHITE				

### Wiring

