

PSE

LED Signal Light

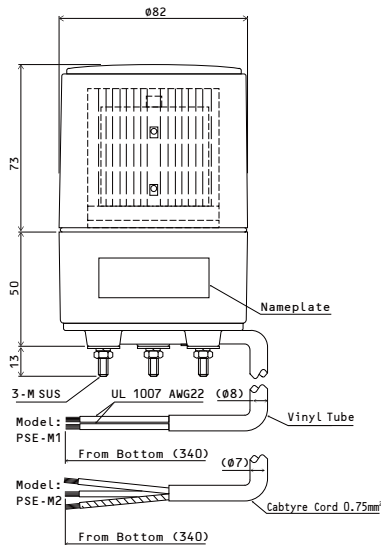


- LED
- IP23
- Ø82

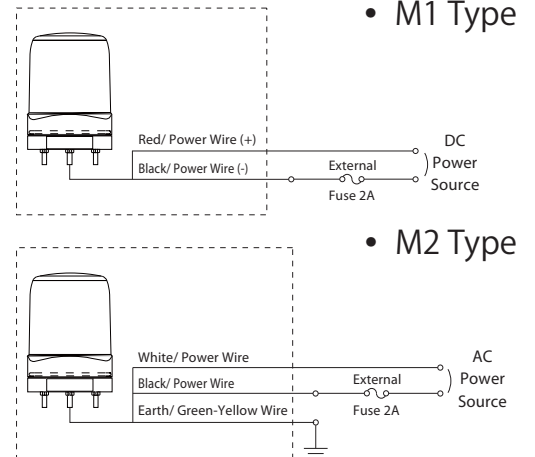


New LED flashing beacon! Can outlast a conventional Xenon lamp and is available in four LED Colors.

Dimensions



Wiring



Specifications

Model	PSE-M1	PSE-M2
Rated Voltage	DC 12V - 24V	AC 100V-240V
Power Consumption	2.4W (max.)	3.2W (max.)
Maximum Operating Ambient Temperature	60°C	
Protection Rating	IP23	
Mounting Location	Indoor or Outdoor Use	
Flash Rate	110 ±10rpm (Triple-flash)	
Mass	0.30kg	0.35kg

How to Order

