

# Flow sensor with Germanischer Lloyd approval



## Two switching outputs programmable

- High repeatability across the extended measuring range
- Simple setting mode for quick set-up
- Variable process connection using adapters
- Reliable monitoring of liquids
- Electronic locking of the setting values



### Simple, fast and flexible installation

Thanks to a broad selection of process adapters, the SI0521 flow sensor can easily be integrated in almost any application.

The robust stainless steel housing provides high reliability even in cases of harsh environmental conditions.

The unit is unaffected by the orientation of the sensing face with respect to the direction of flow, providing increased flexibility of installation.

### Easy handling and high functionality

A pushbutton is used to set the flow range and adjust the switch. Current flow and switch point are indicated locally by multi-coloured LEDs.

Electronic locking of the settings and factory reset of the parameters provide additional safety.

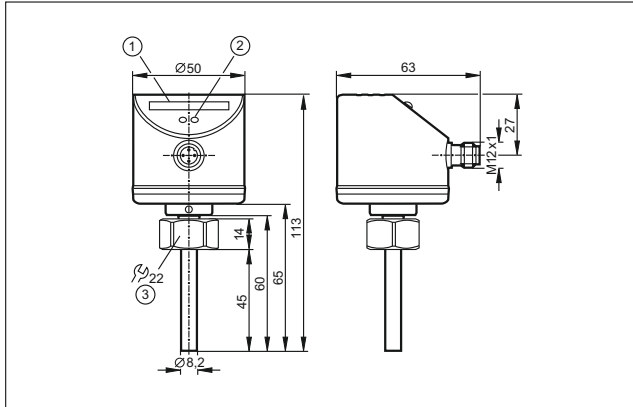


Flow sensor in a cooling water monitoring application.

Setting range liquids [cm/s]	Largest sensitivity [cm/s]	Medium temperature [°C]	Response time [s]	U <sub>b</sub> [V]	I <sub>B</sub> [mA]	Order no.
3...300	3...100	-15...70	1...10	18...32 DC	2 x 250	<b>SI0521</b>

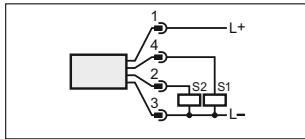
**M12 connector - 2 x normally open / normally closed programmable**

### Dimensions



- 1) LED bar display
- 2) Set button
- 3) Tightening torque 25 Nm

### Wiring diagram







### Accessories

Type	Description	Order no.
	Adapter M18 x 1.5 - L18 for mounting in T pieces	<b>E40104</b>
	Adapter, M18 x 1.5 - G 1/2	<b>E40096</b>
	Adapter, M18 x 1.5 - G 1/4	<b>E40099</b>
	Welding adapter, M18 x 1.5 - Ø 24 mm	<b>E40124</b>

### Further technical data

Type SI0521		
Nominal pressure	[bar]	75
Power-on delay time	[s]	10
Repeatability (% of the measured value)		1...5 (5...100 cm/s)
Short-circuit protection, pulsed		•
Reverse polarity protection / overload protection		• / •
Protection rating / protection class		IP 67, III
Ambient temperature	[°C]	-25...80
Switch point setting		Via pushbutton
Optical function indication	LED	10
Sensor material / housing		High-grade stainless steel (316L/1.4404) / stainless steel (1.4301/304)

### Connection technology

Type	Description	Order no.
	Socket, M12, 2 m black, PUR cable	<b>EVC001</b>
	Socket, M12, 5 m black, PUR cable	<b>EVC002</b>
	Socket, M12, 2 m black, PUR cable	<b>EVC004</b>
	Socket, M12, 5 m black, PUR cable	<b>EVC005</b>