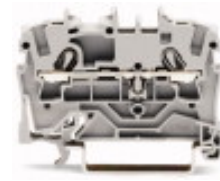


2-conductor through terminal block; suitable for Ex e II applications

型號: 2002-1201



2-conductor through terminal block; suitable for Ex e II applications

標記

RoHS ✓
Compliant

業務資料

供應商	WAGO
產品編號	2002-1201
GTIN / EAN	4017332999168
目錄	1
訂單數量	100
客戶編號	

備註

技術參數

其他設定

總連接點數	2
總電位數	1
顏色	gray
額定值按 1	IEC/EN 60947-7-1
污染程度 (1)	3
額定電壓 EN (1) [V]	800 [V]
額定抑制電壓 (1) [kV]	8 [kV]
額定電流 [A]	24 [A]
額定電流 (2) [A]	32 [A]
額定電壓 EN (Ex e II) [V]	550 [V]

技術參數	
額定電流 (Ex e II) [A]	22 [A]
額定電流 (帶跨接器) (Ex e II) [A]	20 [A]
連接技術 (1)	Push-in CAGE CLAMP®
額定截面積	2.5 mm ²
單芯規格	0.25 ... 4 mm ² / 22 ... 12 AWG
單芯, 可直接插拔式	0.75 ... 4 mm ² / 18 ... 12 AWG
細多芯	0.25 ... 4 mm ² / 22 ... 12 AWG
最小細多芯 (帶壓接端子), 可直接插入接線端子台	0.75 mm ² / 18 AWG
剝離長度	10 ... 12 mm / 0.39 ... 0.47 in
接線類型	正面接線
設計	水平
標記級別	中心/側面標記
絕緣材料	PA 6.6 V0
火災負載 [MJ]	0.109 [MJ]
重量 [g]	5.079 [g]
寬度	5.2 mm / 0.205 in
高度從鋼軌最上邊緣	32.9 mm / 1.295 in
長度	48.5 mm / 1.909 in
安裝類型	DIN 35 軌道

批准					
型號	註冊	註冊號碼	電壓 [V]	電流 [A]	導線截面積 [mm ² , AWG]
2002-1201	ABS	05-HG476175/3-PDA	800	24	0,5-4
2002-1201	AEX	E185892	550	20	22-12
2002-1201	CCA	NTR NL-7166	800	32	0.25-4.00
2002-1201	CSA	154112-1536069	600	20	22-12
2002-1201	DNV	E-10423	800	24	0,5-4
2002-1201	GL	26187-05HH	800	24	0,25-2,5
2002-1201	KEMA	NL2116586.02	800	24	0,5-4
2002-1201	LR	91/20112(E6)	800	24	0,5-4
2002-1201	PRS	TE/1718/880590/08	800	24	0,5-4
2002-1201	PTB	PTB03Atex1162U	550	22	0,2-4

批准

2002-1201	RosTest	8189158	550	22	0,2-4
2002-1201	UL	E45172	600	20	

附件

絕緣擋塊

產品編號	描述	包裝單位 (分裝)
2002-171	Insulation stop; 0.25 ... 0.5 mm ² ; 5 pieces/strip	25
2002-172	Insulation stop; 0.75 ... 1 mm ² ; 5 pieces/strip	25

推入式跨接器

產品編號	描述	包裝單位 (分裝)
2009-412	Push-in type wire jumper; insulated; wire length 60 mm; conductor cross section 1.5 mm ² ; suitable for 2001, 2002, 2003 and 2022 Series rail-mounted terminal blocks	10
2009-414	Push-in type wire jumper; insulated; wire length 110 mm; conductor cross section 1.5 mm ² ; suitable for 2001, 2002, 2003 and 2022 Series rail-mounted terminal blocks	10
2009-416	Push-in type wire jumper; insulated; wire length 250 mm; conductor cross section 1.5 mm ² ; suitable for 2001, 2002, 2003 and 2022 Series rail-mounted terminal blocks	10
210-103	Wire commoning chain; insulated; 50 connections	1
210-123	Wire commoning chain; insulated; 50 connections	1

附件

跨接器

產品編號	描述	包裝單位 (分裝)
2002-402	Push-in type jumper bar; insulated; 2-way; nominal current 25 A	25
2002-403	Push-in type jumper bar; insulated; 3-way; nominal current 25 A	25
2002-404	Push-in type jumper bar; insulated; 4-way; nominal current 25 A	25
2002-405	Push-in type jumper bar; insulated; 5-way; nominal current 25 A	25
2002-406	Push-in type jumper bar; insulated; 6-way; nominal current 25 A	25
2002-407	Push-in type jumper bar; insulated; 7-way; nominal current 25 A	25
2002-408	Push-in type jumper bar; insulated; 8-way; nominal current 25 A	25
2002-409	Push-in type jumper bar; insulated; 9-way; nominal current 25 A	25
2002-410	Push-in type jumper bar; insulated; 10-way; nominal current 25 A	25
2002-433	Push-in type jumper bar; insulated; from 1 to 3; nominal current 25 A	25
2002-434	Push-in type jumper bar; insulated; from 1 to 4; nominal current 25 A	25
2002-435	Push-in type jumper bar; insulated; from 1 to 5; nominal current 25 A	25
2002-436	Push-in type jumper bar; insulated; from 1 to 6; nominal current 25 A	25
2002-437	Push-in type jumper bar; insulated; from 1 to 7; nominal current 25 A	25
2002-438	Push-in type jumper bar; insulated; from 1 to 8; nominal current 25 A	25
2002-439	Push-in type jumper bar; insulated; from 1 to 9; nominal current 25 A	25
2002-440	Push-in type jumper bar; insulated; from 1 to 10; nominal current 25 A	25
2002-472	Staggered jumper; insulated; 2-way; nominal current 25 A; suitable for 2002 and 2003 Series rail-mounted terminal blocks	25
2002-473	Staggered jumper; insulated; 3-way; nominal current 25 A; suitable for 2002 and 2003 Series rail-mounted terminal blocks	25
2002-474	Staggered jumper; insulated; 4-way; nominal current 25 A; suitable for 2002 and 2003 Series rail-mounted terminal blocks	25
2002-475	Staggered jumper; insulated; 5-way; nominal current 25 A; suitable for 2002 and 2003 Series rail-mounted terminal blocks	25
2002-476	Staggered jumper; insulated; 6-way; nominal current 25 A; suitable for 2002 and 2003 Series rail-mounted terminal blocks	25
2002-477	Staggered jumper; insulated; 7-way; nominal current 25 A; suitable for 2002 and 2003 Series rail-mounted terminal blocks	25
2002-478	Staggered jumper; insulated; 8-way; nominal current 25 A; suitable for 2002 and 2003 Series rail-mounted terminal blocks	25
2002-479	Staggered jumper; insulated; 9-way; nominal current 25 A; suitable for 2002 and 2003 Series rail-mounted terminal blocks	25

附件

2002-480	Staggered jumper; insulated; 10-way; nominal current 25 A; suitable for 2002 and 2003 Series rail-mounted terminal blocks	25
2002-481	Staggered jumper; insulated; 11-way; nominal current 25 A; suitable for 2002 and 2003 Series rail-mounted terminal blocks	25
2002-482	Staggered jumper; insulated; 12-way; nominal current 25 A; suitable for 2002 and 2003 Series rail-mounted terminal blocks	25
2006-499	Step-down jumper; insulated; from 6/4 mm ² to 4/2.5/1.5 mm ² ; nominal current 32 A	25
2016-499	Step-down jumper; insulated; from 16/10 mm ² to 10/6/4/2.5 mm ² ; nominal current 57 A	25
2002-405/011-000	Star point jumper; insulated; 1-3-5; IN = IN terminal block	25
2002-473/011-000	Ready-made staggered jumper; insulated; 1-3; nominal current 25 A; with contact lugs broken off at the factory and circuit marking	25
2002-475/011-000	Ready-made staggered jumper; insulated; 1-3-5; nominal current 25 A; with contact lugs broken off at the factory and circuit marking	25
2002-477/011-000	Ready-made staggered jumper; insulated; 1-3-5-7; nominal current 25 A; with contact lugs broken off at the factory and circuit marking	25
2002-479/011-000	Ready-made staggered jumper; insulated; 1-3-5-7-9; nominal current 25 A; with contact lugs broken off at the factory and circuit marking	25
2002-481/011-000	Ready-made staggered jumper; insulated; 1-3-5-7-9-11; nominal current 25 A; with contact lugs broken off at the factory and circuit marking	25
2002-406/020-000	Delta jumper; insulated; 1-2 3-4 5-6; IN = IN terminal block	25
2002-406/000-005	Push-in type jumper bar; insulated; 6-way; nominal current 25 A	25
2002-410/000-005	Push-in type jumper bar; insulated; 10-way; nominal current 25 A	25
2002-406/000-006	Push-in type jumper bar; insulated; 6-way; nominal current 25 A	25
2002-410/000-006	Push-in type jumper bar; insulated; 10-way; nominal current 25 A	25

端板

產品編號	描述	包裝單位 (分裝)
2002-1291	End and intermediate plate; 0.8 mm thick	25
2002-1292	End and intermediate plate; 0.8 mm thick	25
2002-1293	Separator plate; 2 mm thick; oversized	25
2002-1294	Separator plate; 2 mm thick; oversized	25

附件

軌道支架

產品編號	描述	包裝單位 (分裝)
210-197	Steel carrier rail; 35 x 15 mm; 1.5 mm thick; 2 m long; slotted; similar to EN 60715	1
210-198	Copper carrier rail; 35 x 15 mm; 2.3 mm thick; 2 m long; unslotted; according to en 60715	1
210-112	Steel carrier rail; 35 x 7.5 mm; 1 mm thick; 2 m long; slotted; according to en 60715; hole width 25 mm	1
210-113	Steel carrier rail; 35 x 7.5 mm; 1 mm thick; 2 m long; unslotted; according to en 60715	1
210-114	Steel carrier rail; 35 x 15 mm; 1.5 mm thick; 2 m long; unslotted; similar to EN 60715	1
210-115	Steel carrier rail; 35 x 7.5 mm; 1 mm thick; 2 m long; slotted; according to en 60715; hole width 18 mm	1
210-118	Steel carrier rail; 35 x 15 mm; 2.3 mm thick; 2 m long; unslotted; according to en 60715	1
210-196	Aluminum carrier rail; 35 x 8.2 mm; 1.6 mm thick; 2 m long; unslotted; similar to EN 60715	1

附件

標記用附件

產品編號	描述	包裝單位 (分裝)
248-501	Miniature WSB quick marking system; plain; Marker width 5 mm; 10 strips with 10 markers per card	5
793-501	WMB Multi marking system; 普通; for terminal block width 5 - 17.5 mm; 10 strips with 10 markers per card	5
793-5501	WMB Multi marking system; plain; for terminal block width 5 - 17.5 mm; stretchable 5 - 5.2 mm; 10 strips with 10 markers per card	5
2009-110	Marking strips; plain; 11 mm wide; 50m roll; for TOPJOB@S Series	1
2009-115	WMB Inline; plain; 1,500 WMB markers (5 mm) on roll; stretchable 5 - 5.2 mm	1
2009-135	WMB Inline; plain; 8,000 WMB markers (5 mm) on roll; stretchable 5 - 5.2 mm	1
2009-145	Mini-WSB Inline; plain; 1,700 Mini-WSB markers (5 mm) on roll; stretchable 5 - 5.2 mm	1
248-501/000-002	Miniature WSB quick marking system; plain; Marker width 5 mm; 10 strips with 10 markers per card	5
248-501/000-005	Miniature WSB quick marking system; plain; Marker width 5 mm; 10 strips with 10 markers per card	5
248-501/000-006	Miniature WSB quick marking system; plain; Marker width 5 mm; 10 strips with 10 markers per card	5
248-501/000-007	Miniature WSB quick marking system; plain; Marker width 5 mm; 10 strips with 10 markers per card	5
248-501/000-012	Miniature WSB quick marking system; plain; Marker width 5 mm; 10 strips with 10 markers per card	5
248-501/000-017	Miniature WSB quick marking system; plain; Marker width 5 mm; 10 strips with 10 markers per card	5
248-501/000-023	Miniature WSB quick marking system; plain; Marker width 5 mm; 10 strips with 10 markers per card	5
793-501/000-006	WMB Multi marking system; plain; for terminal block width 5 - 17.5 mm; 10 strips with 10 markers per card	5
793-501/000-005	WMB Multi marking system; plain; for terminal block width 5 - 17.5 mm; 10 strips with 10 markers per card	5
793-501/000-002	WMB Multi marking system; plain; for terminal block width 5 - 17.5 mm; 10 strips with 10 markers per card	5
793-501/000-007	WMB Multi marking system; plain; for terminal block width 5 - 17.5 mm; 10 strips with 10 markers per card	5
793-501/000-012	WMB Multi marking system; plain; for terminal block width 5 - 17.5 mm; 10 strips with 10 markers per card	5

附件

793-501/000-017	WMB Multi marking system; plain; for terminal block width 5 - 17.5 mm; 10 strips with 10 markers per card	5
793-501/000-023	WMB Multi marking system; plain; for terminal block width 5 - 17.5 mm; 10 strips with 10 markers per card	5
793-501/000-024	WMB Multi marking system; plain; for terminal block width 5 - 17.5 mm; 10 strips with 10 markers per card	5
793-5566/000-023	WMB Multi marking system; Horizontal marking; 1 ... 50 (2x); for terminal block width 5 - 17.5 mm; stretchable 5 - 5.2 mm; 10 strips with 10 markers per card; consecutive numbers each strip	5
793-5501/000-002	WMB Multi marking system; plain; for terminal block width 5 - 17.5 mm; stretchable 5 - 5.2 mm; 10 strips with 10 markers per card	5
793-5501/000-005	WMB Multi marking system; plain; for terminal block width 5 - 17.5 mm; stretchable 5 - 5.2 mm; 10 strips with 10 markers per card	5
793-5501/000-006	WMB Multi marking system; plain; for terminal block width 5 - 17.5 mm; stretchable 5 - 5.2 mm; 10 strips with 10 markers per card	5
793-5501/000-007	WMB Multi marking system; plain; for terminal block width 5 - 17.5 mm; stretchable 5 - 5.2 mm; 10 strips with 10 markers per card	5
793-5501/000-012	WMB Multi marking system; plain; for terminal block width 5 - 17.5 mm; stretchable 5 - 5.2 mm; 10 strips with 10 markers per card	5
793-5501/000-017	WMB Multi marking system; plain; for terminal block width 5 - 17.5 mm; stretchable 5 - 5.2 mm; 10 strips with 10 markers per card	5
793-5501/000-023	WMB Multi marking system; plain; for terminal block width 5 - 17.5 mm; stretchable 5 - 5.2 mm; 10 strips with 10 markers per card	5
793-5501/000-024	WMB Multi marking system; plain; for terminal block width 5 - 17.5 mm; stretchable 5 - 5.2 mm; 10 strips with 10 markers per card	5
793-5566/000-005	WMB Multi marking system; Horizontal marking; 1 ... 50 (2x); for terminal block width 5 - 17.5 mm; stretchable 5 - 5.2 mm; 10 strips with 10 markers per card; consecutive numbers each strip	5
793-5566/000-006	WMB Multi marking system; Horizontal marking; 1 ... 50 (2x); for terminal block width 5 - 17.5 mm; stretchable 5 - 5.2 mm; 10 strips with 10 markers per card; consecutive numbers each strip	5
793-5566/000-002	WMB Multi marking system; Horizontal marking; 1 ... 50 (2x); for terminal block width 5 - 17.5 mm; stretchable 5 - 5.2 mm; 10 strips with 10 markers per card; consecutive numbers each strip	5
793-5566/000-007	WMB Multi marking system; Horizontal marking; 1 ... 50 (2x); for terminal block width 5 - 17.5 mm; stretchable 5 - 5.2 mm; 10 strips with 10 markers per card; consecutive numbers each strip	5

附件

793-5566/000-012	WMB Multi marking system; Horizontal marking; 1 ... 50 (2x); for terminal block width 5 - 17.5 mm; stretchable 5 - 5.2 mm; 10 strips with 10 markers per card; consecutive numbers each strip	5
793-5566/000-017	WMB Multi marking system; Horizontal marking; 1 ... 50 (2x); for terminal block width 5 - 17.5 mm; stretchable 5 - 5.2 mm; 10 strips with 10 markers per card; consecutive numbers each strip	5
793-5566/000-024	WMB Multi marking system; Horizontal marking; 1 ... 50 (2x); for terminal block width 5 - 17.5 mm; stretchable 5 - 5.2 mm; 10 strips with 10 markers per card; consecutive numbers each strip	5
793-5501/000-014	WMB Multi marking system; plain; for terminal block width 5 - 17.5 mm; stretchable 5 - 5.2 mm; 10 strips with 10 markers per card	5
793-5602/000-005	WMB Multi marking system; Vertical marking; 1 ... 10 (10x); for terminal block width 5 - 17.5 mm; stretchable 5 - 5.2 mm; 10 strips with 10 markers per card; consecutive numbers each strip	5
793-5603/000-005	WMB Multi marking system; Vertical marking; 11 ... 20 (10x); for terminal block width 5 - 17.5 mm; stretchable 5 - 5.2 mm; 10 strips with 10 markers per card; consecutive numbers each strip	5
793-5680/000-002	WMB Multi marking system; Vertical marking; Ground (100x); for terminal block width 5 - 17.5 mm; stretchable 5 - 5.2 mm; 10 strips with 10 markers per card; Same letters/symbols each strip	5
793-5677/000-006	WMB Multi marking system; Vertical marking; N (100x); for terminal block width 5 - 17.5 mm; stretchable 5 - 5.2 mm; 10 strips with 10 markers per card; Same letters/symbols each strip	5
793-5507/000-023	WMB Multi marking system; Horizontal marking; 51 ... 100 (2x); for terminal block width 5 - 17.5 mm; 10 strips with 10 markers per card; consecutive numbers each strip; for terminal block width 4 - 4.2 mm	5
793-5508/000-006	WMB Multi marking system; Horizontal marking; 101 ... 150 (2x); for terminal block width 5 - 17.5 mm; stretchable 5 - 5.2 mm; 10 strips with 10 markers per card; consecutive numbers each strip	5
793-5502/000-002	WMB Multi marking system; Horizontal marking; 1 ... 10 (10x); for terminal block width 5 - 17.5 mm; stretchable 5 - 5.2 mm; 10 strips with 10 markers per card; consecutive numbers each strip	5
793-5502/000-005	WMB Multi marking system; Horizontal marking; 1 ... 10 (10x); for terminal block width 5 - 17.5 mm; stretchable 5 - 5.2 mm; 10 strips with 10 markers per card; consecutive numbers each strip	5
793-5502/000-006	WMB Multi marking system; Horizontal marking; 1 ... 10 (10x); for terminal block width 5 - 17.5 mm; stretchable 5 - 5.2 mm; 10 strips with 10 markers per card; consecutive numbers each strip	5

附件		
793-5502/000-007	WMB Multi marking system; Horizontal marking; 1 ... 10 (10x); for terminal block width 5 - 17.5 mm; stretchable 5 - 5.2 mm; 10 strips with 10 markers per card; consecutive numbers each strip	5
793-5502/000-012	WMB Multi marking system; Horizontal marking; 1 ... 10 (10x); for terminal block width 5 - 17.5 mm; stretchable 5 - 5.2 mm; 10 strips with 10 markers per card; consecutive numbers each strip	5
793-5502/000-017	WMB Multi marking system; Horizontal marking; 1 ... 10 (10x); for terminal block width 5 - 17.5 mm; stretchable 5 - 5.2 mm; 10 strips with 10 markers per card; consecutive numbers each strip	5
793-5502/000-023	WMB Multi marking system; Horizontal marking; 1 ... 10 (10x); for terminal block width 5 - 17.5 mm; stretchable 5 - 5.2 mm; 10 strips with 10 markers per card; consecutive numbers each strip	5
793-5502/000-024	WMB Multi marking system; Horizontal marking; 1 ... 10 (10x); for terminal block width 5 - 17.5 mm; stretchable 5 - 5.2 mm; 10 strips with 10 markers per card; consecutive numbers each strip	5
793-5503/000-002	WMB Multi marking system; Horizontal marking; 11 ... 20 (10x); for terminal block width 5 - 17.5 mm; stretchable 5 - 5.2 mm; 10 strips with 10 markers per card; consecutive numbers each strip	5
793-5503/000-005	WMB Multi marking system; Horizontal marking; 11 ... 20 (10x); for terminal block width 5 - 17.5 mm; stretchable 5 - 5.2 mm; 10 strips with 10 markers per card; consecutive numbers each strip	5
793-5503/000-006	WMB Multi marking system; Horizontal marking; 11 ... 20 (10x); for terminal block width 5 - 17.5 mm; stretchable 5 - 5.2 mm; 10 strips with 10 markers per card; consecutive numbers each strip	5
793-5503/000-007	WMB Multi marking system; Horizontal marking; 11 ... 20 (10x); for terminal block width 5 - 17.5 mm; stretchable 5 - 5.2 mm; 10 strips with 10 markers per card; consecutive numbers each strip	5
793-5503/000-012	WMB Multi marking system; Horizontal marking; 11 ... 20 (10x); for terminal block width 5 - 17.5 mm; stretchable 5 - 5.2 mm; 10 strips with 10 markers per card; consecutive numbers each strip	5
793-5503/000-017	WMB Multi marking system; Horizontal marking; 11 ... 20 (10x); for terminal block width 5 - 17.5 mm; stretchable 5 - 5.2 mm; 10 strips with 10 markers per card; consecutive numbers each strip	5
793-5503/000-023	WMB Multi marking system; Horizontal marking; 11 ... 20 (10x); for terminal block width 5 - 17.5 mm; stretchable 5 - 5.2 mm; 10 strips with 10 markers per card; consecutive numbers each strip	5

附件

793-5503/000-024	WMB Multi marking system; Horizontal marking; 11 ... 20 (10x); for terminal block width 5 - 17.5 mm; stretchable 5 - 5.2 mm; 10 strips with 10 markers per card; consecutive numbers each strip	5
793-5507/000-024	WMB Multi marking system; Horizontal marking; 51 ... 100 (2x); for terminal block width 5 - 17.5 mm; stretchable 5 - 5.2 mm; 10 strips with 10 markers per card; consecutive numbers each strip	5
793-5508/000-024	WMB Multi marking system; Horizontal marking; 101 ... 150 (2x); for terminal block width 5 - 17.5 mm; stretchable 5 - 5.2 mm; 10 strips with 10 markers per card; consecutive numbers each strip	5
793-5554/000-012	WMB Multi marking system; Horizontal marking; 60, 70 ... 100 (20 each); decade marking with red printing; for terminal block width 5 - 17.5 mm; stretchable 5 - 5.2 mm; 10 strips with 10 markers per card; 2 strips each with same numbers	5
793-5400	WMB Multi marking system; Horizontal marking; 51 / 52 (50 each); for terminal block width 5 - 17.5 mm; stretchable 5 - 5.2 mm; 10 strips with 10 markers per card; Same numbers each strip	5
793-5401	WMB Multi marking system; Horizontal marking; 53 / 54 (50 each); for terminal block width 5 - 17.5 mm; stretchable 5 - 5.2 mm; 10 strips with 10 markers per card; Same numbers each strip	5
793-5402	WMB Multi marking system; Horizontal marking; 55 / 56 (50 each); for terminal block width 5 - 17.5 mm; stretchable 5 - 5.2 mm; 10 strips with 10 markers per card; Same numbers each strip	5
793-5403	WMB Multi marking system; Horizontal marking; 57 / 58 (50 each); for terminal block width 5 - 17.5 mm; stretchable 5 - 5.2 mm; 10 strips with 10 markers per card; Same numbers each strip	5
793-5404	WMB Multi marking system; Horizontal marking; 59 / 60 (50 each); for terminal block width 5 - 17.5 mm; stretchable 5 - 5.2 mm; 10 strips with 10 markers per card; Same numbers each strip	5
793-5405	WMB Multi marking system; Horizontal marking; 61 / 62 (50 each); for terminal block width 5 - 17.5 mm; stretchable 5 - 5.2 mm; 10 strips with 10 markers per card; Same numbers each strip	5
793-5406	WMB Multi marking system; Horizontal marking; 63 / 64 (50 each); for terminal block width 5 - 17.5 mm; stretchable 5 - 5.2 mm; 10 strips with 10 markers per card; Same numbers each strip	5
793-5407	WMB Multi marking system; Horizontal marking; 65 / 66 (50 each); for terminal block width 5 - 17.5 mm; stretchable 5 - 5.2 mm; 10 strips with 10 markers per card; Same numbers each strip	5

附件

793-5408	WMB Multi marking system; Horizontal marking; 67 / 68 (50 each); for terminal block width 5 - 17.5 mm; stretchable 5 - 5.2 mm; 10 strips with 10 markers per card; Same numbers each strip	5
793-5409	WMB Multi marking system; Horizontal marking; 69 / 70 (50 each); for terminal block width 5 - 17.5 mm; stretchable 5 - 5.2 mm; 10 strips with 10 markers per card; Same numbers each strip	5
793-5410	WMB Multi marking system; Horizontal marking; 71 / 72 (50 each); for terminal block width 5 - 17.5 mm; stretchable 5 - 5.2 mm; 10 strips with 10 markers per card; Same numbers each strip	5
793-5411	WMB Multi marking system; Horizontal marking; 73 / 74 (50 each); for terminal block width 5 - 17.5 mm; stretchable 5 - 5.2 mm; 10 strips with 10 markers per card; Same numbers each strip	5
793-5412	WMB Multi marking system; Horizontal marking; 75 / 76 (50 each); for terminal block width 5 - 17.5 mm; stretchable 5 - 5.2 mm; 10 strips with 10 markers per card; Same numbers each strip	5
793-5413	WMB Multi marking system; Horizontal marking; 77 / 78 (50 each); for terminal block width 5 - 17.5 mm; stretchable 5 - 5.2 mm; 10 strips with 10 markers per card; Same numbers each strip	5
793-5414	WMB Multi marking system; Horizontal marking; 79 / 80 (50 each); for terminal block width 5 - 17.5 mm; stretchable 5 - 5.2 mm; 10 strips with 10 markers per card; Same numbers each strip	5
793-5415	WMB Multi marking system; Horizontal marking; 81 / 82 (50 each); for terminal block width 5 - 17.5 mm; stretchable 5 - 5.2 mm; 10 strips with 10 markers per card; Same numbers each strip	5
793-5416	WMB Multi marking system; Horizontal marking; 83 / 84 (50 each); for terminal block width 5 - 17.5 mm; stretchable 5 - 5.2 mm; 10 strips with 10 markers per card; Same numbers each strip	5
793-5417	WMB Multi marking system; Horizontal marking; 85 / 86 (50 each); for terminal block width 5 - 17.5 mm; stretchable 5 - 5.2 mm; 10 strips with 10 markers per card; Same numbers each strip	5
793-5418	WMB Multi marking system; Horizontal marking; 87 / 88 (50 each); for terminal block width 5 - 17.5 mm; stretchable 5 - 5.2 mm; 10 strips with 10 markers per card; Same numbers each strip	5
793-5419	WMB Multi marking system; Horizontal marking; 89 / 90 (50 each); for terminal block width 5 - 17.5 mm; stretchable 5 - 5.2 mm; 10 strips with 10 markers per card; Same numbers each strip	5

附件

793-5420	WMB Multi marking system; Horizontal marking; 91 / 92 (50 each); for terminal block width 5 - 17.5 mm; stretchable 5 - 5.2 mm; 10 strips with 10 markers per card; Same numbers each strip	5
793-5421	WMB Multi marking system; Horizontal marking; 93 / 94 (50 each); for terminal block width 5 - 17.5 mm; stretchable 5 - 5.2 mm; 10 strips with 10 markers per card; Same numbers each strip	5
793-5422	WMB Multi marking system; Horizontal marking; 95 / 96 (50 each); for terminal block width 5 - 17.5 mm; stretchable 5 - 5.2 mm; 10 strips with 10 markers per card; Same numbers each strip	5
793-5423	WMB Multi marking system; Horizontal marking; 97 / 98 (50 each); for terminal block width 5 - 17.5 mm; stretchable 5 - 5.2 mm; 10 strips with 10 markers per card; Same numbers each strip	5
793-5424	WMB Multi marking system; Horizontal marking; 99 / 100 (50 each); for terminal block width 5 - 17.5 mm; stretchable 5 - 5.2 mm; 10 strips with 10 markers per card; Same numbers each strip	5
793-5425	WMB Multi marking system; Horizontal marking; 101 / 102 (50 each); for terminal block width 5 - 17.5 mm; stretchable 5 - 5.2 mm; 10 strips with 10 markers per card; Same numbers each strip	5
793-5426	WMB Multi marking system; Horizontal marking; 103 / 104 (50 each); for terminal block width 5 - 17.5 mm; stretchable 5 - 5.2 mm; 10 strips with 10 markers per card; Same numbers each strip	5
793-5427	WMB Multi marking system; Horizontal marking; 105 / 106 (50 each); for terminal block width 5 - 17.5 mm; stretchable 5 - 5.2 mm; 10 strips with 10 markers per card; Same numbers each strip	5
793-5428	WMB Multi marking system; Horizontal marking; 107 / 108 (50 each); for terminal block width 5 - 17.5 mm; stretchable 5 - 5.2 mm; 10 strips with 10 markers per card; Same numbers each strip	5
793-5429	WMB Multi marking system; Horizontal marking; 109 / 110 (50 each); for terminal block width 5 - 17.5 mm; stretchable 5 - 5.2 mm; 10 strips with 10 markers per card; Same numbers each strip	5
793-5430	WMB Multi marking system; Horizontal marking; 111 / 112 (50 each); for terminal block width 5 - 17.5 mm; stretchable 5 - 5.2 mm; 10 strips with 10 markers per card; Same numbers each strip	5
793-5431	WMB Multi marking system; Horizontal marking; 113 / 114 (50 each); for terminal block width 5 - 17.5 mm; stretchable 5 - 5.2 mm; 10 strips with 10 markers per card; Same numbers each strip	5

附件

793-5432	WMB Multi marking system; Horizontal marking; 115 / 116 (50 each); for terminal block width 5 - 17.5 mm; stretchable 5 - 5.2 mm; 10 strips with 10 markers per card; Same numbers each strip	5
793-5433	WMB Multi marking system; Horizontal marking; 117 / 118 (50 each); for terminal block width 5 - 17.5 mm; stretchable 5 - 5.2 mm; 10 strips with 10 markers per card; Same numbers each strip	5
793-5434	WMB Multi marking system; Horizontal marking; 119 / 120 (50 each); for terminal block width 5 - 17.5 mm; stretchable 5 - 5.2 mm; 10 strips with 10 markers per card; Same numbers each strip	5
793-5435	WMB Multi marking system; Horizontal marking; 121 / 122 (50 each); for terminal block width 5 - 17.5 mm; stretchable 5 - 5.2 mm; 10 strips with 10 markers per card; Same numbers each strip	5
793-5436	WMB Multi marking system; Horizontal marking; 123 / 124 (50 each); for terminal block width 5 - 17.5 mm; stretchable 5 - 5.2 mm; 10 strips with 10 markers per card; Same numbers each strip	5
793-5437	WMB Multi marking system; Horizontal marking; 125 / 126 (50 each); for terminal block width 5 - 17.5 mm; stretchable 5 - 5.2 mm; 10 strips with 10 markers per card; Same numbers each strip	5
793-5438	WMB Multi marking system; Horizontal marking; 127 / 128 (50 each); for terminal block width 5 - 17.5 mm; stretchable 5 - 5.2 mm; 10 strips with 10 markers per card; Same numbers each strip	5
793-5439	WMB Multi marking system; Horizontal marking; 129 / 130 (50 each); for terminal block width 5 - 17.5 mm; stretchable 5 - 5.2 mm; 10 strips with 10 markers per card; Same numbers each strip	5
793-5440	WMB Multi marking system; Horizontal marking; 131 / 132 (50 each); for terminal block width 5 - 17.5 mm; stretchable 5 - 5.2 mm; 10 strips with 10 markers per card; Same numbers each strip	5
793-5441	WMB Multi marking system; Horizontal marking; 133 / 134 (50 each); for terminal block width 5 - 17.5 mm; stretchable 5 - 5.2 mm; 10 strips with 10 markers per card; Same numbers each strip	5
793-5442	WMB Multi marking system; Horizontal marking; 135 / 136 (50 each); for terminal block width 5 - 17.5 mm; stretchable 5 - 5.2 mm; 10 strips with 10 markers per card; Same numbers each strip	5
793-5443	WMB Multi marking system; Horizontal marking; 137 / 138 (50 each); for terminal block width 5 - 17.5 mm; stretchable 5 - 5.2 mm; 10 strips with 10 markers per card; Same numbers each strip	5

附件

793-5444	WMB Multi marking system; Horizontal marking; 139 / 140 (50 each); for terminal block width 5 - 17.5 mm; stretchable 5 - 5.2 mm; 10 strips with 10 markers per card; Same numbers each strip	5
793-5445	WMB Multi marking system; Horizontal marking; 141 / 142 (50 each); for terminal block width 5 - 17.5 mm; stretchable 5 - 5.2 mm; 10 strips with 10 markers per card; Same numbers each strip	5
793-5446	WMB Multi marking system; Horizontal marking; 143 / 144 (50 each); for terminal block width 5 - 17.5 mm; stretchable 5 - 5.2 mm; 10 strips with 10 markers per card; Same numbers each strip	5
793-5447	WMB Multi marking system; Horizontal marking; 145 / 146 (50 each); for terminal block width 5 - 17.5 mm; stretchable 5 - 5.2 mm; 10 strips with 10 markers per card; Same numbers each strip	5
793-5448	WMB Multi marking system; Horizontal marking; 147 / 148 (50 each); for terminal block width 5 - 17.5 mm; stretchable 5 - 5.2 mm; 10 strips with 10 markers per card; Same numbers each strip	5
793-5449	WMB Multi marking system; Horizontal marking; 149 / 150 (50 each); for terminal block width 5 - 17.5 mm; stretchable 5 - 5.2 mm; 10 strips with 10 markers per card; Same numbers each strip	5
793-5458	WMB Multi marking system; Horizontal marking; 1A, 1B, ..., 1G, 1H, ... to 10A, 10B, ..., 10G, 10H; for subdistribution boxes (power stations); for terminal block width 5 - 17.5 mm; stretchable 5 - 5.2 mm; 10 strips with 10 markers per card	5
793-5472	WMB Multi marking system; Horizontal marking; L1, L2, L3, N, PE, L1, L2, L3, N, PE (10x); for terminal block width 5 - 17.5 mm; stretchable 5 - 5.2 mm; 10 strips with 10 markers per card; Consecutive letters/symbols each strip	5
793-5473	WMB Multi marking system; Horizontal marking; U, V, W, N, PE, U, V, W, N, PE / L1, L2, L3, N, PE; for terminal block width 5 - 17.5 mm; stretchable 5 - 5.2 mm; 10 strips with 10 markers per card; Consecutive letters/symbols each strip	5
793-5474	WMB Multi marking system; Horizontal marking; U, V, W, N, PE, U, V, W, N, PE (10x); for terminal block width 5 - 17.5 mm; stretchable 5 - 5.2 mm; 10 strips with 10 markers per card; Consecutive letters/symbols each strip	5
793-5478	WMB Multi marking system; Horizontal marking; 101, 103, 105, ..., 199 and 102, 104, 106, ..., 200 (1x); for terminal block width 5 - 17.5 mm; stretchable 5 - 5.2 mm; 10 strips with 10 markers per card; consecutive numbers each strip	5
793-5487	WMB Multi marking system; Horizontal marking; U1, V1, W1, U1, V1, W1, U1, V1, W1,... (10x); for terminal block width 5 - 17.5 mm; stretchable 5 - 5.2 mm; 10 strips with 10 markers per card; Consecutive letters/symbols each strip	5

附件

793-5494	WMB Multi marking system; Horizontal marking; U2, V2, W2, U2, V2, W2, U2, V2, W2,... (10x); for terminal block width 5 - 17.5 mm; stretchable 5 - 5.2 mm; 10 strips with 10 markers per card; Consecutive letters/symbols each strip	5
793-5495	WMB Multi marking system; Horizontal marking; U3, V3, W3, U3, V3, W3, U3, V3, W3,... (10x); for terminal block width 5 - 17.5 mm; stretchable 5 - 5.2 mm; 10 strips with 10 markers per card; Consecutive letters/symbols each strip	5
793-5496	WMB Multi marking system; Horizontal marking; U4, V4, W4, U4, V4, W4, U4, V4, W4,... (10x); for terminal block width 5 - 17.5 mm; stretchable 5 - 5.2 mm; 10 strips with 10 markers per card; Consecutive letters/symbols each strip	5
793-5497	WMB Multi marking system; Horizontal marking; U5, V5, W5, U5, V5, W5, U5, V5, W5,... (10x); for terminal block width 5 - 17.5 mm; stretchable 5 - 5.2 mm; 10 strips with 10 markers per card; Consecutive letters/symbols each strip	5
793-5498	WMB Multi marking system; Horizontal marking; u6, v6, w6, ..., u6, v6, w6,... to u9, v9, w9, ..., u9, v9, w9, (2 each); for terminal block width 5 - 17.5 mm; stretchable 5 - 5.2 mm; 10 strips with 10 markers per card; Consecutive letters/symbols each str	5
793-5502	WMB Multi marking system; Horizontal marking; 1 ... 10 (10x); for terminal block width 5 - 17.5 mm; stretchable 5 - 5.2 mm; 10 strips with 10 markers per card; consecutive numbers each strip	5
793-5503	WMB Multi marking system; Horizontal marking; 11 ... 20 (10x); for terminal block width 5 - 17.5 mm; stretchable 5 - 5.2 mm; 10 strips with 10 markers per card; consecutive numbers each strip	5
793-5504	WMB Multi marking system; Horizontal marking; 21 ... 30 (10x); for terminal block width 5 - 17.5 mm; stretchable 5 - 5.2 mm; 10 strips with 10 markers per card; consecutive numbers each strip	5
793-5505	WMB Multi marking system; Horizontal marking; 31 ... 40 (10x); for terminal block width 5 - 17.5 mm; stretchable 5 - 5.2 mm; 10 strips with 10 markers per card; consecutive numbers each strip	5
793-5506	WMB Multi marking system; Horizontal marking; 41 ... 50 (10x); for terminal block width 5 - 17.5 mm; stretchable 5 - 5.2 mm; 10 strips with 10 markers per card; consecutive numbers each strip	5
793-5507	WMB Multi marking system; Horizontal marking; 51 ... 100 (2x); for terminal block width 5 - 17.5 mm; stretchable 5 - 5.2 mm; 10 strips with 10 markers per card; consecutive numbers each strip	5
793-5508	WMB Multi marking system; Horizontal marking; 101 ... 150 (2x); for terminal block width 5 - 17.5 mm; stretchable 5 - 5.2 mm; 10 strips with 10 markers per card; consecutive numbers each strip	5

附件

793-5509	WMB Multi marking system; Horizontal marking; 151 ... 200 (2x); for terminal block width 5 - 17.5 mm; stretchable 5 - 5.2 mm; 10 strips with 10 markers per card; consecutive numbers each strip	5
793-5510	WMB Multi marking system; Horizontal marking; 201 ... 300 (1x); for terminal block width 5 - 17.5 mm; stretchable 5 - 5.2 mm; 10 strips with 10 markers per card; consecutive numbers each strip	5
793-5511	WMB Multi marking system; Horizontal marking; 301 ... 400 (1x); for terminal block width 5 - 17.5 mm; stretchable 5 - 5.2 mm; 10 strips with 10 markers per card; consecutive numbers each strip	5
793-5512	WMB Multi marking system; Horizontal marking; 401 ... 500 (1x); for terminal block width 5 - 17.5 mm; stretchable 5 - 5.2 mm; 10 strips with 10 markers per card; consecutive numbers each strip	5
793-5513	WMB Multi marking system; Horizontal marking; 501 ... 600 (1x); for terminal block width 5 - 17.5 mm; stretchable 5 - 5.2 mm; 10 strips with 10 markers per card; consecutive numbers each strip	5
793-5514	WMB Multi marking system; Horizontal marking; 601 ... 700 (1x); for terminal block width 5 - 17.5 mm; stretchable 5 - 5.2 mm; 10 strips with 10 markers per card; consecutive numbers each strip	5
793-5515	WMB Multi marking system; Horizontal marking; 701 ... 800 (1x); for terminal block width 5 - 17.5 mm; stretchable 5 - 5.2 mm; 10 strips with 10 markers per card; consecutive numbers each strip	5
793-5516	WMB Multi marking system; Horizontal marking; 801 ... 900 (1x); for terminal block width 5 - 17.5 mm; stretchable 5 - 5.2 mm; 10 strips with 10 markers per card; consecutive numbers each strip	5
793-5517	WMB Multi marking system; Horizontal marking; 901 ... 1000 (1x); for terminal block width 5 - 17.5 mm; stretchable 5 - 5.2 mm; 10 strips with 10 markers per card; consecutive numbers each strip	5
793-5518	WMB Multi marking system; Horizontal marking; 1 / 2 (50 each); for terminal block width 5 - 17.5 mm; stretchable 5 - 5.2 mm; 10 strips with 10 markers per card; Same numbers each strip	5
793-5519	WMB Multi marking system; Horizontal marking; 3 / 4 (50 each); for terminal block width 5 - 17.5 mm; stretchable 5 - 5.2 mm; 10 strips with 10 markers per card; Same numbers each strip	5
793-5520	WMB Multi marking system; Horizontal marking; 5 / 6 (50 each); for terminal block width 5 - 17.5 mm; stretchable 5 - 5.2 mm; 10 strips with 10 markers per card; Same numbers each strip	5

附件

793-5521	WMB Multi marking system; Horizontal marking; 7 / 8 (50 each); for terminal block width 5 - 17.5 mm; stretchable 5 - 5.2 mm; 10 strips with 10 markers per card; Same numbers each strip	5
793-5522	WMB Multi marking system; Horizontal marking; 9 / 10 (50 each); for terminal block width 5 - 17.5 mm; stretchable 5 - 5.2 mm; 10 strips with 10 markers per card; Same numbers each strip	5
793-5523	WMB Multi marking system; Horizontal marking; 11 / 12 (50 each); for terminal block width 5 - 17.5 mm; stretchable 5 - 5.2 mm; 10 strips with 10 markers per card; Same numbers each strip	5
793-5524	WMB Multi marking system; Horizontal marking; 13 / 14 (50 each); for terminal block width 5 - 17.5 mm; stretchable 5 - 5.2 mm; 10 strips with 10 markers per card; Same numbers each strip	5
793-5525	WMB Multi marking system; Horizontal marking; 15 / 16 (50 each); for terminal block width 5 - 17.5 mm; stretchable 5 - 5.2 mm; 10 strips with 10 markers per card; Same numbers each strip	5
793-5526	WMB Multi marking system; Horizontal marking; 17 / 18 (50 each); for terminal block width 5 - 17.5 mm; stretchable 5 - 5.2 mm; 10 strips with 10 markers per card; Same numbers each strip	5
793-5527	WMB Multi marking system; Horizontal marking; 19 / 20 (50 each); for terminal block width 5 - 17.5 mm; stretchable 5 - 5.2 mm; 10 strips with 10 markers per card; Same numbers each strip	5
793-5528	WMB Multi marking system; Horizontal marking; 21 / 22 (50 each); for terminal block width 5 - 17.5 mm; stretchable 5 - 5.2 mm; 10 strips with 10 markers per card; Same numbers each strip	5
793-5529	WMB Multi marking system; Horizontal marking; 23 / 24 (50 each); for terminal block width 5 - 17.5 mm; stretchable 5 - 5.2 mm; 10 strips with 10 markers per card; Same numbers each strip	5
793-5530	WMB Multi marking system; Horizontal marking; 25 / 26 (50 each); for terminal block width 5 - 17.5 mm; stretchable 5 - 5.2 mm; 10 strips with 10 markers per card; Same numbers each strip	5
793-5531	WMB Multi marking system; Horizontal marking; 27 / 28 (50 each); for terminal block width 5 - 17.5 mm; stretchable 5 - 5.2 mm; 10 strips with 10 markers per card; Same numbers each strip	5
793-5532	WMB Multi marking system; Horizontal marking; 29 / 30 (50 each); for terminal block width 5 - 17.5 mm; stretchable 5 - 5.2 mm; 10 strips with 10 markers per card; Same numbers each strip	5

附件

793-5533	WMB Multi marking system; Horizontal marking; 31 / 32 (50 each); for terminal block width 5 - 17.5 mm; stretchable 5 - 5.2 mm; 10 strips with 10 markers per card; Same numbers each strip	5
793-5534	WMB Multi marking system; Horizontal marking; 33 / 34 (50 each); for terminal block width 5 - 17.5 mm; stretchable 5 - 5.2 mm; 10 strips with 10 markers per card; Same numbers each strip	5
793-5535	WMB Multi marking system; Horizontal marking; 35 / 36 (50 each); for terminal block width 5 - 17.5 mm; stretchable 5 - 5.2 mm; 10 strips with 10 markers per card; Same numbers each strip	5
793-5536	WMB Multi marking system; Horizontal marking; 37 / 38 (50 each); for terminal block width 5 - 17.5 mm; stretchable 5 - 5.2 mm; 10 strips with 10 markers per card; Same numbers each strip	5
793-5537	WMB Multi marking system; Horizontal marking; 39 / 40 (50 each); for terminal block width 5 - 17.5 mm; stretchable 5 - 5.2 mm; 10 strips with 10 markers per card; Same numbers each strip	5
793-5538	WMB Multi marking system; Horizontal marking; 41 / 42 (50 each); for terminal block width 5 - 17.5 mm; stretchable 5 - 5.2 mm; 10 strips with 10 markers per card; Same numbers each strip	5
793-5539	WMB Multi marking system; Horizontal marking; 43 / 44 (50 each); for terminal block width 5 - 17.5 mm; stretchable 5 - 5.2 mm; 10 strips with 10 markers per card; Same numbers each strip	5
793-5540	WMB Multi marking system; Horizontal marking; 45 / 46 (50 each); for terminal block width 5 - 17.5 mm; stretchable 5 - 5.2 mm; 10 strips with 10 markers per card; Same numbers each strip	5
793-5541	WMB Multi marking system; Horizontal marking; 47 / 48 (50 each); for terminal block width 5 - 17.5 mm; stretchable 5 - 5.2 mm; 10 strips with 10 markers per card; Same numbers each strip	5
793-5542	WMB Multi marking system; Horizontal marking; 49 / 50 (50 each); for terminal block width 5 - 17.5 mm; stretchable 5 - 5.2 mm; 10 strips with 10 markers per card; Same numbers each strip	5
793-5543	WMB Multi marking system; Horizontal marking; a, b, c, e, u, v, w, x, y, z (10x); for terminal block width 5 - 17.5 mm; stretchable 5 - 5.2 mm; 10 strips with 10 markers per card; Same letters/symbols each strip	5
793-5544	WMB Multi marking system; Horizontal marking; R, S, T, U, V, W, X, Y, Z, Mp (10x); for terminal block width 5 - 17.5 mm; stretchable 5 - 5.2 mm; 10 strips with 10 markers per card; Same letters/symbols each strip	5

附件

793-5545	WMB Multi marking system; Horizontal marking; A, B, P, N, PE, PEN, L1, L2, L3, Ground (10x); for terminal block width 5 - 17.5 mm; stretchable 5 - 5.2 mm; 10 strips with 10 markers per card; Same letters/symbols each strip	5
793-5546	WMB Multi marking system; Horizontal marking; R1, S1, T1, U1, V1, W1, X1, Y1, Z1,SL (10x); for terminal block width 5 - 17.5 mm; stretchable 5 - 5.2 mm; 10 strips with 10 markers per card; Same letters/symbols each strip	5
793-5547	WMB Multi marking system; Horizontal marking; R2, S2, T2, U2, V2, W2, X2, Y2, Z2,SL (10x); for terminal block width 5 - 17.5 mm; stretchable 5 - 5.2 mm; 10 strips with 10 markers per card; Same letters/symbols each strip	5
793-5548	WMB Multi marking system; Horizontal marking; R3, S3, T3, U3, V3, W3, X3, Y3, Z3,SL (10x); for terminal block width 5 - 17.5 mm; stretchable 5 - 5.2 mm; 10 strips with 10 markers per card; Same letters/symbols each strip	5
793-5549	WMB Multi marking system; Horizontal marking; R4, S4, T4, ..., Y4, Z4, SL and R5, S5, T5, ..., Y5, Z5, SL (5 each); for terminal block width 5 - 17.5 mm; stretchable 5 - 5.2 mm; 10 strips with 10 markers per card; Same letters/symbols each strip	5
793-5550	WMB Multi marking system; Horizontal marking; R6, S6, T6, ..., Y6, Z6, SL to R10, S10, T10, ..., Y10, Z10, SL (2 each); for terminal block width 5 - 17.5 mm; stretchable 5 - 5.2 mm; 10 strips with 10 markers per card; Same letters/symbols each strip	5
793-5552	WMB Multi marking system; Horizontal marking; +/- (50x); for terminal block width 5 - 17.5 mm; stretchable 5 - 5.2 mm; 10 strips with 10 markers per card; Same letters/symbols each strip	5
793-5553	WMB Multi marking system; Horizontal marking; 10, 20 ... 50 (20 each); decade marking with red printing; for terminal block width 5 - 17.5 mm; stretchable 5 - 5.2 mm; 10 strips with 10 markers per card; 2 strips each with same numbers	5
793-5554	WMB Multi marking system; Horizontal marking; 60, 70 ... 100 (20 each); decade marking with red printing; for terminal block width 5 - 17.5 mm; stretchable 5 - 5.2 mm; 10 strips with 10 markers per card; 2 strips each with same numbers	5
793-5555	WMB Multi marking system; Horizontal marking; 110, 120 ... 150 (20 each); decade marking with red printing; for terminal block width 5 - 17.5 mm; stretchable 5 - 5.2 mm; 10 strips with 10 markers per card; 2 strips each with same numbers	5
793-5556	WMB Multi marking system; Horizontal marking; 160, 170 ... 200 (20 each); decade marking with red printing; for terminal block width 5 - 17.5 mm; stretchable 5 - 5.2 mm; 10 strips with 10 markers per card; 2 strips each with same numbers	5
793-5557	WMB Multi marking system; Horizontal marking; 210, 220 ... 300 (10 each); decade marking with red printing; for terminal block width 5 - 17.5 mm; stretchable 5 - 5.2 mm; 10 strips with 10 markers per card; 1 strip each with same numbers	5

附件

793-5558	WMB Multi marking system; Horizontal marking; 310, 320 ... 400 (10 each); decade marking with red printing; for terminal block width 5 - 17.5 mm; stretchable 5 - 5.2 mm; 10 strips with 10 markers per card; 1 strip each with same numbers	5
793-5559	WMB Multi marking system; Horizontal marking; 410, 420 ... 500 (10 each); decade marking with red printing; for terminal block width 5 - 17.5 mm; stretchable 5 - 5.2 mm; 10 strips with 10 markers per card; 1 strip each with same numbers	5
793-5560	WMB Multi marking system; Horizontal marking; 510, 520 ... 600 (10 each); decade marking with red printing; for terminal block width 5 - 17.5 mm; stretchable 5 - 5.2 mm; 10 strips with 10 markers per card; 1 strip each with same numbers	5
793-5561	WMB Multi marking system; Horizontal marking; 610, 620 ... 700 (10 each); decade marking with red printing; for terminal block width 5 - 17.5 mm; stretchable 5 - 5.2 mm; 10 strips with 10 markers per card; 1 strip each with same numbers	5
793-5564	WMB Multi marking system; Horizontal marking; 910, 920 ... 1000 (10 each); decade marking with red printing; for terminal block width 5 - 17.5 mm; stretchable 5 - 5.2 mm; 10 strips with 10 markers per card; 1 strip each with same numbers	5
793-5565	WMB Multi marking system; Horizontal marking; 1 ... 9 (10x); for terminal block width 5 - 17.5 mm; stretchable 5 - 5.2 mm; 10 strips with 10 markers per card; consecutive numbers each strip	5
793-5566	WMB Multi marking system; Horizontal marking; 1 ... 50 (2x); for terminal block width 5 - 17.5 mm; stretchable 5 - 5.2 mm; 10 strips with 10 markers per card; consecutive numbers each strip	5
793-5569	WMB Multi marking system; Horizontal marking; 51 ... 60 (10x); for terminal block width 5 - 17.5 mm; stretchable 5 - 5.2 mm; 10 strips with 10 markers per card; consecutive numbers each strip	5
793-5570	WMB Multi marking system; Horizontal marking; 61 ... 70 (10x); for terminal block width 5 - 17.5 mm; stretchable 5 - 5.2 mm; 10 strips with 10 markers per card; consecutive numbers each strip	5
793-5571	WMB Multi marking system; Horizontal marking; 71 ... 80 (10x); for terminal block width 5 - 17.5 mm; stretchable 5 - 5.2 mm; 10 strips with 10 markers per card; consecutive numbers each strip	5
793-5572	WMB Multi marking system; Horizontal marking; 81 ... 90 (10x); for terminal block width 5 - 17.5 mm; stretchable 5 - 5.2 mm; 10 strips with 10 markers per card; consecutive numbers each strip	5
793-5573	WMB Multi marking system; Horizontal marking; 91 ... 100 (10x); for terminal block width 5 - 17.5 mm; stretchable 5 - 5.2 mm; 10 strips with 10 markers per card; consecutive numbers each strip	5

附件

793-5574	WMB Multi marking system; Horizontal marking; L1 (100x); for terminal block width 5 - 17.5 mm; stretchable 5 - 5.2 mm; 10 strips with 10 markers per card; Same letters/symbols each strip	5
793-5575	WMB Multi marking system; Horizontal marking; L2 (100x); for terminal block width 5 - 17.5 mm; stretchable 5 - 5.2 mm; 10 strips with 10 markers per card; Same letters/symbols each strip	5
793-5576	WMB Multi marking system; Horizontal marking; L3 (100x); for terminal block width 5 - 17.5 mm; stretchable 5 - 5.2 mm; 10 strips with 10 markers per card; Same letters/symbols each strip	5
793-5577	WMB Multi marking system; Horizontal marking; N (100x); for terminal block width 5 - 17.5 mm; stretchable 5 - 5.2 mm; 10 strips with 10 markers per card; Same letters/symbols each strip	5
793-5578	WMB Multi marking system; Horizontal marking; PE (100x); for terminal block width 5 - 17.5 mm; stretchable 5 - 5.2 mm; 10 strips with 10 markers per card; Same letters/symbols each strip	5
793-5579	WMB Multi marking system; Horizontal marking; PEN (100x); for terminal block width 5 - 17.5 mm; stretchable 5 - 5.2 mm; 10 strips with 10 markers per card; Same letters/symbols each strip	5
793-5580	WMB Multi marking system; Horizontal marking; Ground (100x); for terminal block width 5 - 17.5 mm; stretchable 5 - 5.2 mm; 10 strips with 10 markers per card; Same letters/symbols each strip	5
793-5581	WMB Multi marking system; Horizontal marking; R (100x); for terminal block width 5 - 17.5 mm; stretchable 5 - 5.2 mm; 10 strips with 10 markers per card; Same letters/symbols each strip	5
793-5582	WMB Multi marking system; Horizontal marking; S (100x); for terminal block width 5 - 17.5 mm; stretchable 5 - 5.2 mm; 10 strips with 10 markers per card; Same letters/symbols each strip	5
793-5583	WMB Multi marking system; Horizontal marking; T (100x); for terminal block width 5 - 17.5 mm; stretchable 5 - 5.2 mm; 10 strips with 10 markers per card; Same letters/symbols each strip	5
793-5587	WMB Multi marking system; Horizontal marking; U (100x); for terminal block width 5 - 17.5 mm; stretchable 5 - 5.2 mm; 10 strips with 10 markers per card; Same letters/symbols each strip	5
793-5588	WMB Multi marking system; Horizontal marking; V (100x); for terminal block width 5 - 17.5 mm; stretchable 5 - 5.2 mm; 10 strips with 10 markers per card; Same letters/symbols each strip	5

附件

793-5589	WMB Multi marking system; Horizontal marking; W (100x); for terminal block width 5 - 17.5 mm; stretchable 5 - 5.2 mm; 10 strips with 10 markers per card; Same letters/symbols each strip	5
793-5599	WMB Multi marking system; Horizontal marking; 1, 3, 5, ..., 99 And 2, 4, 6, ..., 100 (1x); for double-deck terminal blocks; for terminal block width 5 - 17.5 mm; stretchable 5 - 5.2 mm; 10 strips with 10 markers per card; consecutive numbers each strip	5
793-5602	WMB Multi marking system; Vertical marking; 1 ... 10 (10x); for terminal block width 5 - 17.5 mm; stretchable 5 - 5.2 mm; 10 strips with 10 markers per card; consecutive numbers each strip	5
793-5603	WMB Multi marking system; Vertical marking; 11 ... 20 (10x); for terminal block width 5 - 17.5 mm; stretchable 5 - 5.2 mm; 10 strips with 10 markers per card; consecutive numbers each strip	5
793-5604	WMB Multi marking system; Vertical marking; 21 ... 30 (10x); for terminal block width 5 - 17.5 mm; stretchable 5 - 5.2 mm; 10 strips with 10 markers per card; consecutive numbers each strip	5
793-5605	WMB Multi marking system; Vertical marking; 31 ... 40 (10x); for terminal block width 5 - 17.5 mm; stretchable 5 - 5.2 mm; 10 strips with 10 markers per card; consecutive numbers each strip	5
793-5606	WMB Multi marking system; Vertical marking; 41 ... 50 (10x); for terminal block width 5 - 17.5 mm; stretchable 5 - 5.2 mm; 10 strips with 10 markers per card; consecutive numbers each strip	5
793-5607	WMB Multi marking system; Vertical marking; 51 ... 100 (2x); for terminal block width 5 - 17.5 mm; stretchable 5 - 5.2 mm; 10 strips with 10 markers per card; consecutive numbers each strip	5
793-5608	WMB Multi marking system; Vertical marking; 101 ... 150 (2x); for terminal block width 5 - 17.5 mm; stretchable 5 - 5.2 mm; 10 strips with 10 markers per card; consecutive numbers each strip	5
793-5609	WMB Multi marking system; Vertical marking; 151 ... 200 (2x); for terminal block width 5 - 17.5 mm; stretchable 5 - 5.2 mm; 10 strips with 10 markers per card; consecutive numbers each strip	5
793-5610	WMB Multi marking system; Vertical marking; 201 ... 300 (1x); for terminal block width 5 - 17.5 mm; stretchable 5 - 5.2 mm; 10 strips with 10 markers per card; consecutive numbers each strip	5
793-5611	WMB Multi marking system; Vertical marking; 301 ... 400 (1x); for terminal block width 5 - 17.5 mm; stretchable 5 - 5.2 mm; 10 strips with 10 markers per card; consecutive numbers each strip	5

附件

793-5612	WMB Multi marking system; Vertical marking; 401 ... 500 (1x); for terminal block width 5 - 17.5 mm; stretchable 5 - 5.2 mm; 10 strips with 10 markers per card; consecutive numbers each strip	5
793-5613	WMB Multi marking system; Vertical marking; 501 ... 600 (1x); for terminal block width 5 - 17.5 mm; stretchable 5 - 5.2 mm; 10 strips with 10 markers per card; consecutive numbers each strip	5
793-5614	WMB Multi marking system; Vertical marking; 601 ... 700 (1x); for terminal block width 5 - 17.5 mm; stretchable 5 - 5.2 mm; 10 strips with 10 markers per card; consecutive numbers each strip	5
793-5615	WMB Multi marking system; Vertical marking; 701 ... 800 (1x); for terminal block width 5 - 17.5 mm; stretchable 5 - 5.2 mm; 10 strips with 10 markers per card; consecutive numbers each strip	5
793-5616	WMB Multi marking system; Vertical marking; 801 ... 900 (1x); for terminal block width 5 - 17.5 mm; stretchable 5 - 5.2 mm; 10 strips with 10 markers per card; consecutive numbers each strip	5
793-5617	WMB Multi marking system; Vertical marking; 901 ... 1000 (1x); for terminal block width 5 - 17.5 mm; stretchable 5 - 5.2 mm; 10 strips with 10 markers per card; consecutive numbers each strip	5
793-5618	WMB Multi marking system; Vertical marking; 1 / 2 (50 each); for terminal block width 5 - 17.5 mm; stretchable 5 - 5.2 mm; 10 strips with 10 markers per card; Same numbers each strip	5
793-5619	WMB Multi marking system; Vertical marking; 3 / 4 (50 each); for terminal block width 5 - 17.5 mm; stretchable 5 - 5.2 mm; 10 strips with 10 markers per card; Same numbers each strip	5
793-5620	WMB Multi marking system; Vertical marking; 5 / 6 (50 each); for terminal block width 5 - 17.5 mm; stretchable 5 - 5.2 mm; 10 strips with 10 markers per card; Same numbers each strip	5
793-5621	WMB Multi marking system; Vertical marking; 7 / 8 (50 each); for terminal block width 5 - 17.5 mm; stretchable 5 - 5.2 mm; 10 strips with 10 markers per card; Same numbers each strip	5
793-5622	WMB Multi marking system; Vertical marking; 9 / 10 (50 each); for terminal block width 5 - 17.5 mm; stretchable 5 - 5.2 mm; 10 strips with 10 markers per card; Same numbers each strip	5
793-5623	WMB Multi marking system; Vertical marking; 11 / 12 (50 each); for terminal block width 5 - 17.5 mm; stretchable 5 - 5.2 mm; 10 strips with 10 markers per card; Same numbers each strip	5

附件

793-5624	WMB Multi marking system; Vertical marking; 13 / 14 (50 each); for terminal block width 5 - 17.5 mm; stretchable 5 - 5.2 mm; 10 strips with 10 markers per card; Same numbers each strip	5
793-5625	WMB Multi marking system; Vertical marking; 15 / 16 (50 each); for terminal block width 5 - 17.5 mm; stretchable 5 - 5.2 mm; 10 strips with 10 markers per card; Same numbers each strip	5
793-5626	WMB Multi marking system; Vertical marking; 17 / 18 (50 each); for terminal block width 5 - 17.5 mm; stretchable 5 - 5.2 mm; 10 strips with 10 markers per card; Same numbers each strip	5
793-5627	WMB Multi marking system; Vertical marking; 19 / 20 (50 each); for terminal block width 5 - 17.5 mm; stretchable 5 - 5.2 mm; 10 strips with 10 markers per card; Same numbers each strip	5
793-5628	WMB Multi marking system; Vertical marking; 21 / 22 (50 each); for terminal block width 5 - 17.5 mm; stretchable 5 - 5.2 mm; 10 strips with 10 markers per card; Same numbers each strip	5
793-5629	WMB Multi marking system; Vertical marking; 23 / 24 (50 each); for terminal block width 5 - 17.5 mm; stretchable 5 - 5.2 mm; 10 strips with 10 markers per card; Same numbers each strip	5
793-5630	WMB Multi marking system; Vertical marking; 25 / 26 (50 each); for terminal block width 5 - 17.5 mm; stretchable 5 - 5.2 mm; 10 strips with 10 markers per card; Same numbers each strip	5
793-5631	WMB Multi marking system; Vertical marking; 27 / 28 (50 each); for terminal block width 5 - 17.5 mm; stretchable 5 - 5.2 mm; 10 strips with 10 markers per card; Same numbers each strip	5
793-5632	WMB Multi marking system; Vertical marking; 29 / 30 (50 each); for terminal block width 5 - 17.5 mm; stretchable 5 - 5.2 mm; 10 strips with 10 markers per card; Same numbers each strip	5
793-5633	WMB Multi marking system; Vertical marking; 31 / 32 (50 each); for terminal block width 5 - 17.5 mm; stretchable 5 - 5.2 mm; 10 strips with 10 markers per card; Same numbers each strip	5
793-5634	WMB Multi marking system; Vertical marking; 33 / 34 (50 each); for terminal block width 5 - 17.5 mm; stretchable 5 - 5.2 mm; 10 strips with 10 markers per card; Same numbers each strip	5
793-5635	WMB Multi marking system; Vertical marking; 35 / 36 (50 each); for terminal block width 5 - 17.5 mm; stretchable 5 - 5.2 mm; 10 strips with 10 markers per card; Same numbers each strip	5

附件

793-5636	WMB Multi marking system; Vertical marking; 37 / 38 (50 each); for terminal block width 5 - 17.5 mm; stretchable 5 - 5.2 mm; 10 strips with 10 markers per card; Same numbers each strip	5
793-5637	WMB Multi marking system; Vertical marking; 39 / 40 (50 each); for terminal block width 5 - 17.5 mm; stretchable 5 - 5.2 mm; 10 strips with 10 markers per card; Same numbers each strip	5
793-5638	WMB Multi marking system; Vertical marking; 41 / 42 (50 each); for terminal block width 5 - 17.5 mm; stretchable 5 - 5.2 mm; 10 strips with 10 markers per card; Same numbers each strip	5
793-5639	WMB Multi marking system; Vertical marking; 43 / 44 (50 each); for terminal block width 5 - 17.5 mm; stretchable 5 - 5.2 mm; 10 strips with 10 markers per card; Same numbers each strip	5
793-5640	WMB Multi marking system; Vertical marking; 45 / 46 (50 each); for terminal block width 5 - 17.5 mm; stretchable 5 - 5.2 mm; 10 strips with 10 markers per card; Same numbers each strip	5
793-5641	WMB Multi marking system; Vertical marking; 47 / 48 (50 each); for terminal block width 5 - 17.5 mm; stretchable 5 - 5.2 mm; 10 strips with 10 markers per card; Same numbers each strip	5
793-5642	WMB Multi marking system; Vertical marking; 49 / 50 (50 each); for terminal block width 5 - 17.5 mm; stretchable 5 - 5.2 mm; 10 strips with 10 markers per card; Same numbers each strip	5
793-5643	WMB Multi marking system; Vertical marking; a, b, c, e, u, v, w, x, y, z (10x); for terminal block width 5 - 17.5 mm; stretchable 5 - 5.2 mm; 10 strips with 10 markers per card; Same letters/symbols each strip	5
793-5644	WMB Multi marking system; Vertical marking; R, S, T, U, V, W, X, Y, Z, Mp (10x); for terminal block width 5 - 17.5 mm; stretchable 5 - 5.2 mm; 10 strips with 10 markers per card; Same letters/symbols each strip	5
793-5645	WMB Multi marking system; Vertical marking; A, B, P, N, PE, PEN, L1, L2, L3, Ground (10x); for terminal block width 5 - 17.5 mm; stretchable 5 - 5.2 mm; 10 strips with 10 markers per card; Same letters/symbols each strip	5
793-5646	WMB Multi marking system; Vertical marking; R1, S1, T1, U1, V1, W1, X1, Y1, Z1,SL (10x); for terminal block width 5 - 17.5 mm; stretchable 5 - 5.2 mm; 10 strips with 10 markers per card; Same letters/symbols each strip	5
793-5647	WMB Multi marking system; Vertical marking; R2, S2, T2, U2, V2, W2, X2, Y2, Z2,SL (10x); for terminal block width 5 - 17.5 mm; stretchable 5 - 5.2 mm; 10 strips with 10 markers per card; Same letters/symbols each strip	5

附件

793-5648	WMB Multi marking system; Vertical marking; R3, S3, T3, U3, V3, W3, X3, Y3, Z3,SL (10x); for terminal block width 5 - 17.5 mm; stretchable 5 - 5.2 mm; 10 strips with 10 markers per card; Consecutive letters/symbols each strip	5
793-5652	WMB Multi marking system; Vertical marking; +/- (50x); for terminal block width 5 - 17.5 mm; stretchable 5 - 5.2 mm; 10 strips with 10 markers per card; Same letters/symbols each strip	5
793-5653	WMB Multi marking system; Vertical marking; 10, 20 ... 50 (20 each); decade marking with red printing; for terminal block width 5 - 17.5 mm; stretchable 5 - 5.2 mm; 10 strips with 10 markers per card; 2 strips each with same numbers	5
793-5654	WMB Multi marking system; Vertical marking; 60, 70 ... 100 (20 each); decade marking with red printing; for terminal block width 5 - 17.5 mm; stretchable 5 - 5.2 mm; 10 strips with 10 markers per card; 2 strips each with same numbers	5
793-5655	WMB Multi marking system; Vertical marking; 110, 120 ... 150 (20 each); decade marking with red printing; for terminal block width 5 - 17.5 mm; stretchable 5 - 5.2 mm; 10 strips with 10 markers per card; 2 strips each with same numbers	5
793-5656	WMB Multi marking system; Vertical marking; 160, 170 ... 200 (20 each); decade marking with red printing; for terminal block width 5 - 17.5 mm; stretchable 5 - 5.2 mm; 10 strips with 10 markers per card; 2 strips each with same numbers	5
793-5657	WMB Multi marking system; Vertical marking; 210, 220 ... 300 (10 each); decade marking with red printing; for terminal block width 5 - 17.5 mm; stretchable 5 - 5.2 mm; 10 strips with 10 markers per card; 1 strip each with same numbers	5
793-5658	WMB Multi marking system; Vertical marking; 310, 320 ... 400 (10 each); decade marking with red printing; for terminal block width 5 - 17.5 mm; stretchable 5 - 5.2 mm; 10 strips with 10 markers per card; 1 strip each with same numbers	5
793-5659	WMB Multi marking system; Vertical marking; 410, 420 ... 500 (10 each); decade marking with red printing; for terminal block width 5 - 17.5 mm; stretchable 5 - 5.2 mm; 10 strips with 10 markers per card; 1 strip each with same numbers	5
793-5662	WMB Multi marking system; Vertical marking; 710, 720 ... 800 (10 each); decade marking with red printing; for terminal block width 5 - 17.5 mm; stretchable 5 - 5.2 mm; 10 strips with 10 markers per card; 1 strip each with same numbers	5
793-5663	WMB Multi marking system; Vertical marking; 810, 820 ... 900 (10 each); decade marking with red printing; for terminal block width 5 - 17.5 mm; stretchable 5 - 5.2 mm; 10 strips with 10 markers per card; 1 strip each with same numbers	5
793-5664	WMB Multi marking system; Vertical marking; 910, 920 ... 1000 (10 each); decade marking with red printing; for terminal block width 5 - 17.5 mm; stretchable 5 - 5.2 mm; 10 strips with 10 markers per card; 1 strip each with same numbers	5
793-5665	WMB Multi marking system; Vertical marking; 1 ... 9 (10x); for terminal block width 5 - 17.5 mm; stretchable 5 - 5.2 mm; 10 strips with 10 markers per card; consecutive numbers each strip	5

附件

793-5666	WMB Multi marking system; Vertical marking; 1 ... 50 (2x); for terminal block width 5 - 17.5 mm; stretchable 5 - 5.2 mm; 10 strips with 10 markers per card; consecutive numbers each strip	5
793-5667	WMB Multi marking system; Vertical marking; 101, 101, 101, 102, ..., 130, 130, 130 (1x); for terminal block width 5 - 17.5 mm; stretchable 5 - 5.2 mm; 10 strips with 10 markers per card; consecutive numbers each strip	5
793-5668	WMB Multi marking system; Vertical marking; 131, 131, 131, 132, ..., 160, 160, 160 (1x); for terminal block width 5 - 17.5 mm; stretchable 5 - 5.2 mm; 10 strips with 10 markers per card; consecutive numbers each strip	5
793-5669	WMB Multi marking system; Vertical marking; 1101 ... 1200 (1x); for terminal block width 5 - 17.5 mm; stretchable 5 - 5.2 mm; 10 strips with 10 markers per card; consecutive numbers each strip	5
793-5670	WMB Multi marking system; Vertical marking; 1201 ... 1300 (1x); for terminal block width 5 - 17.5 mm; stretchable 5 - 5.2 mm; 10 strips with 10 markers per card; consecutive numbers each strip	5
793-5671	WMB Multi marking system; Vertical marking; 1301 ... 1400 (1x); for terminal block width 5 - 17.5 mm; stretchable 5 - 5.2 mm; 10 strips with 10 markers per card; consecutive numbers each strip	5
793-5672	WMB Multi marking system; Vertical marking; 1401 ... 1500 (1x); for terminal block width 5 - 17.5 mm; stretchable 5 - 5.2 mm; 10 strips with 10 markers per card; consecutive numbers each strip	5
793-5674	WMB Multi marking system; Vertical marking; L1 (100x); for terminal block width 5 - 17.5 mm; stretchable 5 - 5.2 mm; 10 strips with 10 markers per card; Same letters/symbols each strip	5
793-5675	WMB Multi marking system; Vertical marking; L2 (100x); for terminal block width 5 - 17.5 mm; stretchable 5 - 5.2 mm; 10 strips with 10 markers per card; Same letters/symbols each strip	5
793-5676	WMB Multi marking system; Vertical marking; L3 (100x); for terminal block width 5 - 17.5 mm; stretchable 5 - 5.2 mm; 10 strips with 10 markers per card; Same letters/symbols each strip	5
793-5677	WMB Multi marking system; Vertical marking; N (100x); for terminal block width 5 - 17.5 mm; stretchable 5 - 5.2 mm; 10 strips with 10 markers per card; Same letters/symbols each strip	5
793-5678	WMB Multi marking system; Vertical marking; PE (100x); for terminal block width 5 - 17.5 mm; stretchable 5 - 5.2 mm; 10 strips with 10 markers per card; Same letters/symbols each strip	5
793-5679	WMB Multi marking system; Vertical marking; PEN (100x); for terminal block width 5 - 17.5 mm; stretchable 5 - 5.2 mm; 10 strips with 10 markers per card; Same letters/symbols each strip	5

附件		
793-5680	WMB Multi marking system; Vertical marking; Ground (100x); for terminal block width 5 - 17.5 mm; stretchable 5 - 5.2 mm; 10 strips with 10 markers per card; Same letters/symbols each strip	5
793-5681	WMB Multi marking system; Vertical marking; R (100x); for terminal block width 5 - 17.5 mm; stretchable 5 - 5.2 mm; 10 strips with 10 markers per card; Same letters/symbols each strip	5
793-5682	WMB Multi marking system; Vertical marking; S (100x); for terminal block width 5 - 17.5 mm; stretchable 5 - 5.2 mm; 10 strips with 10 markers per card; Same letters/symbols each strip	5
793-5683	WMB Multi marking system; Vertical marking; T (100x); for terminal block width 5 - 17.5 mm; stretchable 5 - 5.2 mm; 10 strips with 10 markers per card; Same letters/symbols each strip	5
793-5687	WMB Multi marking system; Vertical marking; U1, V1, W1, U1, V1, W1, U1, V1, W1,... (10x); for terminal block width 5 - 17.5 mm; stretchable 5 - 5.2 mm; 10 strips with 10 markers per card; Consecutive letters/symbols each strip	5
793-5688	WMB Multi marking system; Vertical marking; 1001 ... 1100 (1x); for terminal block width 5 - 17.5 mm; stretchable 5 - 5.2 mm; 10 strips with 10 markers per card; Consecutive numbers each strip	5
793-5694	WMB Multi marking system; Vertical marking; U2, V2, W2, U2, V2, W2, U2, V2, W2,... (10x); for terminal block width 5 - 17.5 mm; stretchable 5 - 5.2 mm; 10 strips with 10 markers per card; Consecutive letters/symbols each strip	5
793-5695	WMB Multi marking system; Vertical marking; U3, V3, W3, U3, V3, W3, U3, V3, W3,... (10x); for terminal block width 5 - 17.5 mm; stretchable 5 - 5.2 mm; 10 strips with 10 markers per card; Consecutive letters/symbols each strip	5
793-5696	WMB Multi marking system; Vertical marking; U4, V4, W4, U4, V4, W4, U4, V4, W4,... (10x); for terminal block width 5 - 17.5 mm; stretchable 5 - 5.2 mm; 10 strips with 10 markers per card; Consecutive letters/symbols each strip	5
793-5697	WMB Multi marking system; Vertical marking; U5, V5, W5, U5, V5, W5, U5, V5, W5,... (10x); for terminal block width 5 - 17.5 mm; stretchable 5 - 5.2 mm; 10 strips with 10 markers per card; Consecutive letters/symbols each strip	5
793-5698	WMB Multi marking system; Vertical marking; u6, v6, w6, ..., u6, v6, w6,... to u9, v9, w9, ..., u9, v9, w9, (2 each); for terminal block width 5 - 17.5 mm; stretchable 5 - 5.2 mm; 10 strips with 10 markers per card; Consecutive letters/symbols each strip	5
793-5699	WMB Multi marking system; Vertical marking; 1, 3, 5, ..., 99 And 2, 4, 6, ..., 100 (1x); for double-deck terminal blocks; for terminal block width 5 - 17.5 mm; stretchable 5 - 5.2 mm; 10 strips with 10 markers per card; consecutive numbers each strip	5

保護兼警告標誌

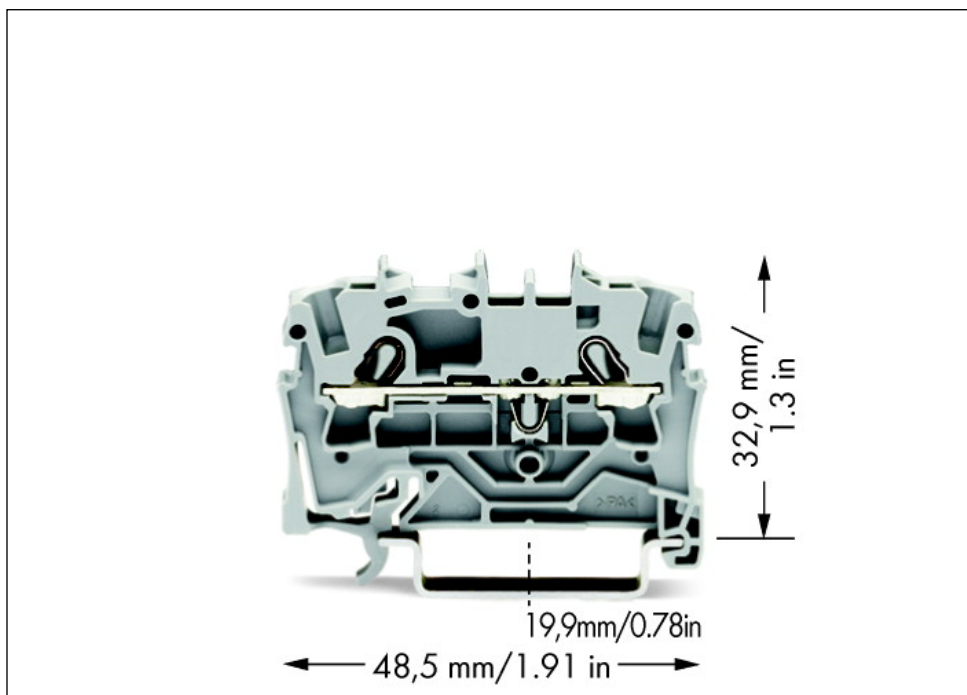
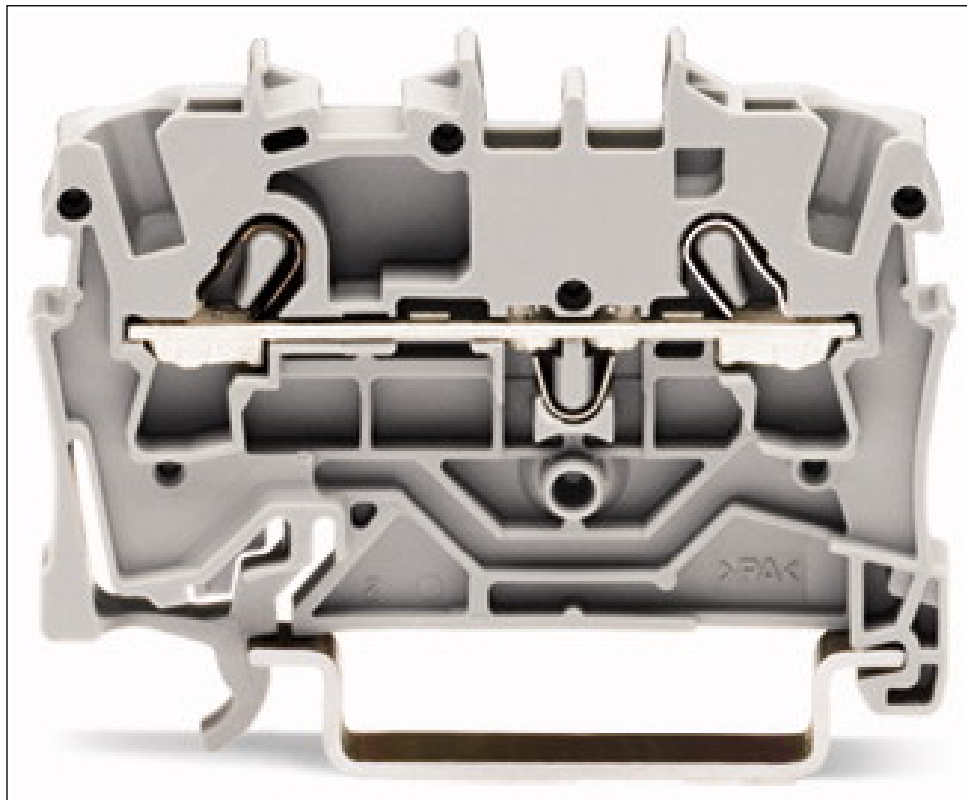
產品編號	描述	包裝單位 (分裝)
2002-115	Protective warning marker; with high-voltage symbol, black; for 5 terminal blocks	25

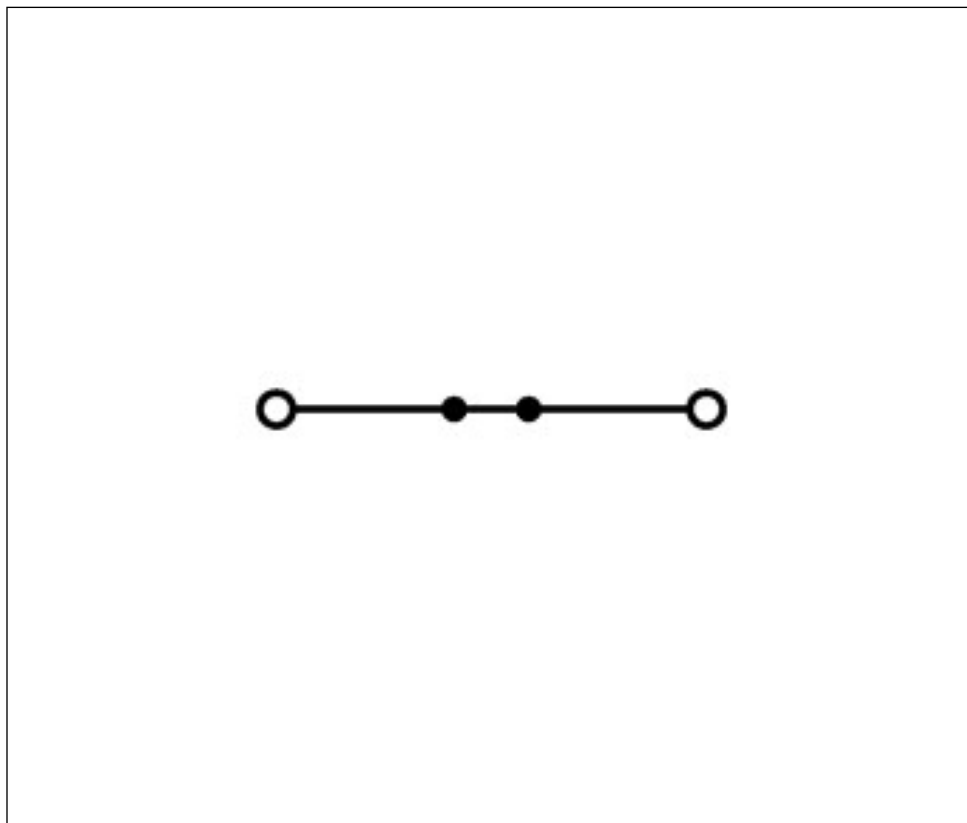
附件

一般附件

產品編號	描述	包裝單位 (分裝)
2002-116	Multi-purpose operating tool; for component plugs	5
2002-511	Modular TOPJOB@S connector; modular; for jumper contact slot; 1-pole	25
2002-549	Spacer module; modular; e.g., for bridging commoned terminal blocks	25
2002-552	TOPJOB@S connector strip; for jumper contact slot; 2-pole	25
2002-553	TOPJOB@S connector strip; for jumper contact slot; 3-pole	25
2002-554	TOPJOB@S connector strip; for jumper contact slot; 4-pole	25
2002-555	TOPJOB@S connector strip; for jumper contact slot; 5-pole	10
2002-556	TOPJOB@S connector strip; for jumper contact slot; 6-pole	10
2002-557	TOPJOB@S connector strip; for jumper contact slot; 7-pole	10
2002-558	TOPJOB@S connector strip; for jumper contact slot; 8-pole	10
2002-559	TOPJOB@S connector strip; for jumper contact slot; 9-pole	10
2002-560	TOPJOB@S connector strip; for jumper contact slot; 10-pole	10
2009-174	Test plug adapter; for test plug 4 mm Ø; for testing TOPJOB@S rail-mounted terminal blocks	25
2009-182	Testing tap; for max. 2.5 mm ² ; tool-free connection for individual test wires 0.08 - 2.5 mm ²	25
2009-191	TOPJOB@S group marker carrier; snap-on type for jumper slot; 5 mm wide	25
2009-192	TOPJOB@S group marker carrier; snap-on type for jumper slot; 10 mm wide	25
2009-193	TOPJOB@S group marker carrier; snap-on type for jumper slot; 15 mm wide	25
210-400/2000-001	Stickers for operating instructions; for TOPJOB@s rail-mounted terminal blocks; 2001/2002/2004/2006/2010/2016 Series	1

影像和附圖





地址

WAGO Kontakttechnik GmbH & Co. KG

Hansastr. 27

32423 Minden

Telefon: 0571/887-0

Fax: 0571/887-169

<http://www.wago.com>

© WAGO Kontakttechnik GmbH & Co. KG

Technische Änderungen und Irrtümer vorbehalten.