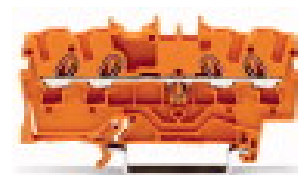


4-conductor through terminal block; suitable for Ex e II applications

型號: 2002-1402



4-conductor through terminal block; suitable for Ex e II applications

標記

RoHS ✓
Compliant

業務資料

| | |
|------------|---------------|
| 供應商 | WAGO |
| 產品編號 | 2002-1402 |
| GTIN / EAN | 4017332999298 |
| 目錄 | 1 |
| 訂單數量 | 100 |
| 客戶編號 | |

備註

技術參數

其他設定

| | |
|-----------------------|------------------|
| 總連接點數 | 4 |
| 總電位數 | 1 |
| 顏色 | orange |
| 額定值按 1 | IEC/EN 60947-7-1 |
| 污染程度 (1) | 3 |
| 額定電壓 EN (1) [V] | 800 [V] |
| 額定抑制電壓 (1) [kV] | 8 [kV] |
| 額定電流 [A] | 24 [A] |
| 額定電流 (2) [A] | 32 [A] |
| 額定電壓 EN (Ex e II) [V] | 550 [V] |

| 技術參數 | |
|---------------------------|--|
| 額定電流 (Ex e II) [A] | 22 [A] |
| 額定電流 (帶跨接器) (Ex e II) [A] | 20 [A] |
| 連接技術 (1) | Push-in CAGE CLAMP® |
| 額定截面積 | 2.5 mm ² |
| 單芯規格 | 0.25 ... 4 mm ² / 22 ... 12 AWG |
| 單芯, 可直接插拔式 | 0.75 ... 4 mm ² / 18 ... 12 AWG |
| 細多芯 | 0.25 ... 4 mm ² / 22 ... 12 AWG |
| 最小細多芯 (帶壓接端子), 可直接插入接線端子台 | 0.75 mm ² / 18 AWG |
| 剝離長度 | 10 ... 12 mm / 0.39 ... 0.47 in |
| 接線類型 | 正面接線 |
| 設計 | 水平 |
| 標記級別 | 中心/側面標記 |
| 絕緣材料 | PA 6.6 V0 |
| 火災負載 [MJ] | 0.122 [MJ] |
| 重量 [g] | 7.4 [g] |
| 寬度 | 5.2 mm / 0.205 in |
| 高度從鋼軌最上邊緣 | 32.9 mm / 1.295 in |
| 長度 | 69.9 mm / 2.752 in |
| 安裝類型 | DIN 35 軌道 |

| 批准 | | | | | |
|-----------|------|-------------------|--------|--------|-------------------------------|
| 型號 | 註冊 | 註冊號碼 | 電壓 [V] | 電流 [A] | 導線截面積 [mm ² , AWG] |
| 2002-1402 | ABS | 05-HG476175/3-PDA | 800 | 24 | 0,5-4 |
| 2002-1402 | AEX | E185892 | 550 | 20 | 22-12 |
| 2002-1402 | CCA | NTR NL-7166 | 800 | 32 | 0.25-4.00 |
| 2002-1402 | CCA | NL6387 | 800 | 24/32 | 0,2-2,5/4 |
| 2002-1402 | CSA | 154112-1536069 | 600 | 20 | 22-12 |
| 2002-1402 | DNV | E-10423 | 800 | 24 | 0,5-4 |
| 2002-1402 | GL | 26187-05HH | 800 | 24 | 0,25-2,5 |
| 2002-1402 | KEMA | NL2116586.02 | 800 | 24 | 0,5-4 |
| 2002-1402 | LR | 91/20112(E6) | 800 | 24 | 0,5-4 |
| 2002-1402 | PRS | TE/1718/880590/08 | 800 | 24 | 0,2-4 |

批准

| | | | | | |
|-----------|---------|----------------------|-----|----|-------|
| 2002-1402 | PTB | PTB03Atex1162U | 550 | 22 | 0,2-4 |
| 2002-1402 | PTB | IECEXPTB03.000 4U | 550 | 22 | 0,2-4 |
| 2002-1402 | RosTest | 8189158 | 550 | 22 | 0,2-4 |
| 2002-1402 | UL | E45172 | 600 | 20 | 22-12 |

附件

絕緣擋塊

| 產品編號 | 描述 | 包裝單位 (分裝) |
|----------|--|-----------|
| 2002-171 | Insulation stop; 0.25 ... 0.5 mm ² ; 5 pieces/strip | 25 |
| 2002-172 | Insulation stop; 0.75 ... 1 mm ² ; 5 pieces/strip | 25 |

推入式跨接器

| 產品編號 | 描述 | 包裝單位 (分裝) |
|----------|---|-----------|
| 210-103 | Wire commoning chain; insulated; 50 connections | 1 |
| 210-123 | Wire commoning chain; insulated; 50 connections | 1 |
| 2009-412 | Push-in type wire jumper; insulated; wire length 60 mm; conductor cross section 1.5 mm ² ; suitable for 2001, 2002, 2003 and 2022 Series rail-mounted terminal blocks | 10 |
| 2009-414 | Push-in type wire jumper; insulated; wire length 110 mm; conductor cross section 1.5 mm ² ; suitable for 2001, 2002, 2003 and 2022 Series rail-mounted terminal blocks | 10 |
| 2009-416 | Push-in type wire jumper; insulated; wire length 250 mm; conductor cross section 1.5 mm ² ; suitable for 2001, 2002, 2003 and 2022 Series rail-mounted terminal blocks | 10 |

附件

跨接器

| 產品編號 | 描述 | 包裝單位 (分裝) |
|------------------|--|-----------|
| 2002-410/000-005 | Push-in type jumper bar; insulated; 10-way; nominal current 25 A | 25 |
| 2002-406/000-006 | Push-in type jumper bar; insulated; 6-way; nominal current 25 A | 25 |
| 2002-410/000-006 | Push-in type jumper bar; insulated; 10-way; nominal current 25 A | 25 |
| 2002-402 | Push-in type jumper bar; insulated; 2-way; nominal current 25 A | 25 |
| 2002-403 | Push-in type jumper bar; insulated; 3-way; nominal current 25 A | 25 |
| 2002-404 | Push-in type jumper bar; insulated; 4-way; nominal current 25 A | 25 |
| 2002-405 | Push-in type jumper bar; insulated; 5-way; nominal current 25 A | 25 |
| 2002-406 | Push-in type jumper bar; insulated; 6-way; nominal current 25 A | 25 |
| 2002-407 | Push-in type jumper bar; insulated; 7-way; nominal current 25 A | 25 |
| 2002-408 | Push-in type jumper bar; insulated; 8-way; nominal current 25 A | 25 |
| 2002-409 | Push-in type jumper bar; insulated; 9-way; nominal current 25 A | 25 |
| 2002-410 | Push-in type jumper bar; insulated; 10-way; nominal current 25 A | 25 |
| 2002-433 | Push-in type jumper bar; insulated; from 1 to 3; nominal current 25 A | 25 |
| 2002-434 | Push-in type jumper bar; insulated; from 1 to 4; nominal current 25 A | 25 |
| 2002-435 | Push-in type jumper bar; insulated; from 1 to 5; nominal current 25 A | 25 |
| 2002-436 | Push-in type jumper bar; insulated; from 1 to 6; nominal current 25 A | 25 |
| 2002-437 | Push-in type jumper bar; insulated; from 1 to 7; nominal current 25 A | 25 |
| 2002-438 | Push-in type jumper bar; insulated; from 1 to 8; nominal current 25 A | 25 |
| 2002-439 | Push-in type jumper bar; insulated; from 1 to 9; nominal current 25 A | 25 |
| 2002-440 | Push-in type jumper bar; insulated; from 1 to 10; nominal current 25 A | 25 |
| 2002-472 | Staggered jumper; insulated; 2-way; nominal current 25 A; suitable for 2002 and 2003 Series rail-mounted terminal blocks | 25 |
| 2002-473 | Staggered jumper; insulated; 3-way; nominal current 25 A; suitable for 2002 and 2003 Series rail-mounted terminal blocks | 25 |
| 2002-474 | Staggered jumper; insulated; 4-way; nominal current 25 A; suitable for 2002 and 2003 Series rail-mounted terminal blocks | 25 |
| 2002-475 | Staggered jumper; insulated; 5-way; nominal current 25 A; suitable for 2002 and 2003 Series rail-mounted terminal blocks | 25 |
| 2002-476 | Staggered jumper; insulated; 6-way; nominal current 25 A; suitable for 2002 and 2003 Series rail-mounted terminal blocks | 25 |
| 2002-477 | Staggered jumper; insulated; 7-way; nominal current 25 A; suitable for 2002 and 2003 Series rail-mounted terminal blocks | 25 |

附件

| | | |
|------------------|---|----|
| 2002-478 | Staggered jumper; insulated; 8-way; nominal current 25 A; suitable for 2002 and 2003 Series rail-mounted terminal blocks | 25 |
| 2002-479 | Staggered jumper; insulated; 9-way; nominal current 25 A; suitable for 2002 and 2003 Series rail-mounted terminal blocks | 25 |
| 2002-480 | Staggered jumper; insulated; 10-way; nominal current 25 A; suitable for 2002 and 2003 Series rail-mounted terminal blocks | 25 |
| 2002-481 | Staggered jumper; insulated; 11-way; nominal current 25 A; suitable for 2002 and 2003 Series rail-mounted terminal blocks | 25 |
| 2002-482 | Staggered jumper; insulated; 12-way; nominal current 25 A; suitable for 2002 and 2003 Series rail-mounted terminal blocks | 25 |
| 2006-499 | Step-down jumper; insulated; from 6/4 mm ² to 4/2.5/1.5 mm ² ; nominal current 32 A | 25 |
| 2016-499 | Step-down jumper; insulated; from 16/10 mm ² to 10/6/4/2.5 mm ² ; nominal current 57 A | 25 |
| 2002-405/011-000 | Star point jumper; insulated; 1-3-5; IN = IN terminal block | 25 |
| 2002-473/011-000 | Ready-made staggered jumper; insulated; 1-3; nominal current 25 A; with contact lugs broken off at the factory and circuit marking | 25 |
| 2002-475/011-000 | Ready-made staggered jumper; insulated; 1-3-5; nominal current 25 A; with contact lugs broken off at the factory and circuit marking | 25 |
| 2002-477/011-000 | Ready-made staggered jumper; insulated; 1-3-5-7; nominal current 25 A; with contact lugs broken off at the factory and circuit marking | 25 |
| 2002-479/011-000 | Ready-made staggered jumper; insulated; 1-3-5-7-9; nominal current 25 A; with contact lugs broken off at the factory and circuit marking | 25 |
| 2002-481/011-000 | Ready-made staggered jumper; insulated; 1-3-5-7-9-11; nominal current 25 A; with contact lugs broken off at the factory and circuit marking | 25 |
| 2002-406/020-000 | Delta jumper; insulated; 1-2 3-4 5-6; IN = IN terminal block | 25 |
| 2002-406/000-005 | Push-in type jumper bar; insulated; 6-way; nominal current 25 A | 25 |

端板

| 產品編號 | 描述 | 包裝單位 (分裝) |
|-----------|--|-----------|
| 2002-1491 | End and intermediate plate; 0.8 mm thick | 25 |
| 2002-1492 | End and intermediate plate; 0.8 mm thick | 25 |
| 2002-1493 | Separator plate; 2 mm thick; oversized | 25 |
| 2002-1494 | Separator plate; 2 mm thick; oversized | 25 |

附件

軌道支架

| 產品編號 | 描述 | 包裝單位 (分裝) |
|---------|---|-----------|
| 210-112 | Steel carrier rail; 35 x 7.5 mm; 1 mm thick; 2 m long; slotted; according to en 60715; hole width 25 mm | 1 |
| 210-113 | Steel carrier rail; 35 x 7.5 mm; 1 mm thick; 2 m long; unslotted; according to en 60715 | 1 |
| 210-114 | Steel carrier rail; 35 x 15 mm; 1.5 mm thick; 2 m long; unslotted; similar to EN 60715 | 1 |
| 210-115 | Steel carrier rail; 35 x 7.5 mm; 1 mm thick; 2 m long; slotted; according to en 60715; hole width 18 mm | 1 |
| 210-118 | Steel carrier rail; 35 x 15 mm; 2.3 mm thick; 2 m long; unslotted; according to en 60715 | 1 |
| 210-196 | Aluminum carrier rail; 35 x 8.2 mm; 1.6 mm thick; 2 m long; unslotted; similar to EN 60715 | 1 |
| 210-197 | Steel carrier rail; 35 x 15 mm; 1.5 mm thick; 2 m long; slotted; similar to EN 60715 | 1 |
| 210-198 | Copper carrier rail; 35 x 15 mm; 2.3 mm thick; 2 m long; unslotted; according to en 60715 | 1 |

附件

標記用附件

| 產品編號 | 描述 | 包裝單位 (分裝) |
|-----------------|---|-----------|
| 248-501 | Miniature WSB quick marking system; plain; Marker width 5 mm; 10 strips with 10 markers per card | 5 |
| 793-501 | WMB Multi marking system; 普通; for terminal block width 5 - 17.5 mm; 10 strips with 10 markers per card | 5 |
| 793-5501 | WMB Multi marking system; plain; for terminal block width 5 - 17.5 mm; stretchable 5 - 5.2 mm; 10 strips with 10 markers per card | 5 |
| 2009-110 | Marking strips; plain; 11 mm wide; 50m roll; for TOPJOB@S Series | 1 |
| 2009-115 | WMB Inline; plain; 1,500 WMB markers (5 mm) on roll; stretchable 5 - 5.2 mm | 1 |
| 2009-135 | WMB Inline; plain; 8,000 WMB markers (5 mm) on roll; stretchable 5 - 5.2 mm | 1 |
| 2009-145 | Mini-WSB Inline; plain; 1,700 Mini-WSB markers (5 mm) on roll; stretchable 5 - 5.2 mm | 1 |
| 248-501/000-002 | Miniature WSB quick marking system; plain; Marker width 5 mm; 10 strips with 10 markers per card | 5 |
| 248-501/000-005 | Miniature WSB quick marking system; plain; Marker width 5 mm; 10 strips with 10 markers per card | 5 |
| 248-501/000-006 | Miniature WSB quick marking system; plain; Marker width 5 mm; 10 strips with 10 markers per card | 5 |
| 248-501/000-007 | Miniature WSB quick marking system; plain; Marker width 5 mm; 10 strips with 10 markers per card | 5 |
| 248-501/000-012 | Miniature WSB quick marking system; plain; Marker width 5 mm; 10 strips with 10 markers per card | 5 |
| 248-501/000-017 | Miniature WSB quick marking system; plain; Marker width 5 mm; 10 strips with 10 markers per card | 5 |
| 248-501/000-023 | Miniature WSB quick marking system; plain; Marker width 5 mm; 10 strips with 10 markers per card | 5 |
| 793-501/000-006 | WMB Multi marking system; plain; for terminal block width 5 - 17.5 mm; 10 strips with 10 markers per card | 5 |
| 793-501/000-005 | WMB Multi marking system; plain; for terminal block width 5 - 17.5 mm; 10 strips with 10 markers per card | 5 |
| 248-501/000-024 | Miniature WSB quick marking system; plain; Marker width 5 mm; 10 strips with 10 markers per card | 5 |
| 793-501/000-002 | WMB Multi marking system; plain; for terminal block width 5 - 17.5 mm; 10 strips with 10 markers per card | 5 |
| 793-501/000-007 | WMB Multi marking system; plain; for terminal block width 5 - 17.5 mm; 10 strips with 10 markers per card | 5 |

| 附件 | | |
|------------------|---|---|
| 793-501/000-012 | WMB Multi marking system; plain; for terminal block width 5 - 17.5 mm; 10 strips with 10 markers per card | 5 |
| 793-501/000-017 | WMB Multi marking system; plain; for terminal block width 5 - 17.5 mm; 10 strips with 10 markers per card | 5 |
| 793-501/000-023 | WMB Multi marking system; plain; for terminal block width 5 - 17.5 mm; 10 strips with 10 markers per card | 5 |
| 793-501/000-024 | WMB Multi marking system; plain; for terminal block width 5 - 17.5 mm; 10 strips with 10 markers per card | 5 |
| 793-5566/000-023 | WMB Multi marking system; Horizontal marking; 1 ... 50 (2x); for terminal block width 5 - 17.5 mm; stretchable 5 - 5.2 mm; 10 strips with 10 markers per card; consecutive numbers each strip | 5 |
| 793-5501/000-002 | WMB Multi marking system; plain; for terminal block width 5 - 17.5 mm; stretchable 5 - 5.2 mm; 10 strips with 10 markers per card | 5 |
| 793-5501/000-005 | WMB Multi marking system; plain; for terminal block width 5 - 17.5 mm; stretchable 5 - 5.2 mm; 10 strips with 10 markers per card | 5 |
| 793-5501/000-006 | WMB Multi marking system; plain; for terminal block width 5 - 17.5 mm; stretchable 5 - 5.2 mm; 10 strips with 10 markers per card | 5 |
| 793-5501/000-007 | WMB Multi marking system; plain; for terminal block width 5 - 17.5 mm; stretchable 5 - 5.2 mm; 10 strips with 10 markers per card | 5 |
| 793-5501/000-012 | WMB Multi marking system; plain; for terminal block width 5 - 17.5 mm; stretchable 5 - 5.2 mm; 10 strips with 10 markers per card | 5 |
| 793-5501/000-017 | WMB Multi marking system; plain; for terminal block width 5 - 17.5 mm; stretchable 5 - 5.2 mm; 10 strips with 10 markers per card | 5 |
| 793-5501/000-023 | WMB Multi marking system; plain; for terminal block width 5 - 17.5 mm; stretchable 5 - 5.2 mm; 10 strips with 10 markers per card | 5 |
| 793-5501/000-024 | WMB Multi marking system; plain; for terminal block width 5 - 17.5 mm; stretchable 5 - 5.2 mm; 10 strips with 10 markers per card | 5 |
| 793-5566/000-005 | WMB Multi marking system; Horizontal marking; 1 ... 50 (2x); for terminal block width 5 - 17.5 mm; stretchable 5 - 5.2 mm; 10 strips with 10 markers per card; consecutive numbers each strip | 5 |
| 793-5566/000-006 | WMB Multi marking system; Horizontal marking; 1 ... 50 (2x); for terminal block width 5 - 17.5 mm; stretchable 5 - 5.2 mm; 10 strips with 10 markers per card; consecutive numbers each strip | 5 |
| 793-5566/000-002 | WMB Multi marking system; Horizontal marking; 1 ... 50 (2x); for terminal block width 5 - 17.5 mm; stretchable 5 - 5.2 mm; 10 strips with 10 markers per card; consecutive numbers each strip | 5 |

附件

| | | |
|------------------|--|---|
| 793-5566/000-007 | WMB Multi marking system; Horizontal marking; 1 ... 50 (2x); for terminal block width 5 - 17.5 mm; stretchable 5 - 5.2 mm; 10 strips with 10 markers per card; consecutive numbers each strip | 5 |
| 793-5566/000-012 | WMB Multi marking system; Horizontal marking; 1 ... 50 (2x); for terminal block width 5 - 17.5 mm; stretchable 5 - 5.2 mm; 10 strips with 10 markers per card; consecutive numbers each strip | 5 |
| 793-5566/000-017 | WMB Multi marking system; Horizontal marking; 1 ... 50 (2x); for terminal block width 5 - 17.5 mm; stretchable 5 - 5.2 mm; 10 strips with 10 markers per card; consecutive numbers each strip | 5 |
| 793-5566/000-024 | WMB Multi marking system; Horizontal marking; 1 ... 50 (2x); for terminal block width 5 - 17.5 mm; stretchable 5 - 5.2 mm; 10 strips with 10 markers per card; consecutive numbers each strip | 5 |
| 793-5501/000-014 | WMB Multi marking system; plain; for terminal block width 5 - 17.5 mm; stretchable 5 - 5.2 mm; 10 strips with 10 markers per card | 5 |
| 793-5602/000-005 | WMB Multi marking system; Vertical marking; 1 ... 10 (10x); for terminal block width 5 - 17.5 mm; stretchable 5 - 5.2 mm; 10 strips with 10 markers per card; consecutive numbers each strip | 5 |
| 793-5603/000-005 | WMB Multi marking system; Vertical marking; 11 ... 20 (10x); for terminal block width 5 - 17.5 mm; stretchable 5 - 5.2 mm; 10 strips with 10 markers per card; consecutive numbers each strip | 5 |
| 793-5680/000-002 | WMB Multi marking system; Vertical marking; Ground (100x); for terminal block width 5 - 17.5 mm; stretchable 5 - 5.2 mm; 10 strips with 10 markers per card; Same letters/symbols each strip | 5 |
| 793-5677/000-006 | WMB Multi marking system; Vertical marking; N (100x); for terminal block width 5 - 17.5 mm; stretchable 5 - 5.2 mm; 10 strips with 10 markers per card; Same letters/symbols each strip | 5 |
| 793-5507/000-023 | WMB Multi marking system; Horizontal marking; 51 ... 100 (2x); for terminal block width 5 - 17.5 mm; 10 strips with 10 markers per card; consecutive numbers each strip; for terminal block width 4 - 4.2 mm | 5 |
| 793-5508/000-006 | WMB Multi marking system; Horizontal marking; 101 ... 150 (2x); for terminal block width 5 - 17.5 mm; stretchable 5 - 5.2 mm; 10 strips with 10 markers per card; consecutive numbers each strip | 5 |
| 793-5502/000-002 | WMB Multi marking system; Horizontal marking; 1 ... 10 (10x); for terminal block width 5 - 17.5 mm; stretchable 5 - 5.2 mm; 10 strips with 10 markers per card; consecutive numbers each strip | 5 |
| 793-5502/000-005 | WMB Multi marking system; Horizontal marking; 1 ... 10 (10x); for terminal block width 5 - 17.5 mm; stretchable 5 - 5.2 mm; 10 strips with 10 markers per card; consecutive numbers each strip | 5 |

附件

| | | |
|------------------|---|---|
| 793-5502/000-006 | WMB Multi marking system; Horizontal marking; 1 ... 10 (10x); for terminal block width 5 - 17.5 mm; stretchable 5 - 5.2 mm; 10 strips with 10 markers per card; consecutive numbers each strip | 5 |
| 793-5502/000-007 | WMB Multi marking system; Horizontal marking; 1 ... 10 (10x); for terminal block width 5 - 17.5 mm; stretchable 5 - 5.2 mm; 10 strips with 10 markers per card; consecutive numbers each strip | 5 |
| 793-5502/000-012 | WMB Multi marking system; Horizontal marking; 1 ... 10 (10x); for terminal block width 5 - 17.5 mm; stretchable 5 - 5.2 mm; 10 strips with 10 markers per card; consecutive numbers each strip | 5 |
| 793-5502/000-017 | WMB Multi marking system; Horizontal marking; 1 ... 10 (10x); for terminal block width 5 - 17.5 mm; stretchable 5 - 5.2 mm; 10 strips with 10 markers per card; consecutive numbers each strip | 5 |
| 793-5502/000-023 | WMB Multi marking system; Horizontal marking; 1 ... 10 (10x); for terminal block width 5 - 17.5 mm; stretchable 5 - 5.2 mm; 10 strips with 10 markers per card; consecutive numbers each strip | 5 |
| 793-5502/000-024 | WMB Multi marking system; Horizontal marking; 1 ... 10 (10x); for terminal block width 5 - 17.5 mm; stretchable 5 - 5.2 mm; 10 strips with 10 markers per card; consecutive numbers each strip | 5 |
| 793-5503/000-002 | WMB Multi marking system; Horizontal marking; 11 ... 20 (10x); for terminal block width 5 - 17.5 mm; stretchable 5 - 5.2 mm; 10 strips with 10 markers per card; consecutive numbers each strip | 5 |
| 793-5503/000-005 | WMB Multi marking system; Horizontal marking; 11 ... 20 (10x); for terminal block width 5 - 17.5 mm; stretchable 5 - 5.2 mm; 10 strips with 10 markers per card; consecutive numbers each strip | 5 |
| 793-5503/000-006 | WMB Multi marking system; Horizontal marking; 11 ... 20 (10x); for terminal block width 5 - 17.5 mm; stretchable 5 - 5.2 mm; 10 strips with 10 markers per card; consecutive numbers each strip | 5 |
| 793-5503/000-007 | WMB Multi marking system; Horizontal marking; 11 ... 20 (10x); for terminal block width 5 - 17.5 mm; stretchable 5 - 5.2 mm; 10 strips with 10 markers per card; consecutive numbers each strip | 5 |
| 793-5503/000-012 | WMB Multi marking system; Horizontal marking; 11 ... 20 (10x); for terminal block width 5 - 17.5 mm; stretchable 5 - 5.2 mm; 10 strips with 10 markers per card; consecutive numbers each strip | 5 |
| 793-5503/000-017 | WMB Multi marking system; Horizontal marking; 11 ... 20 (10x); for terminal block width 5 - 17.5 mm; stretchable 5 - 5.2 mm; 10 strips with 10 markers per card; consecutive numbers each strip | 5 |

附件

| | | |
|------------------|---|---|
| 793-5503/000-023 | WMB Multi marking system; Horizontal marking; 11 ... 20 (10x); for terminal block width 5 - 17.5 mm; stretchable 5 - 5.2 mm; 10 strips with 10 markers per card; consecutive numbers each strip | 5 |
| 793-5503/000-024 | WMB Multi marking system; Horizontal marking; 11 ... 20 (10x); for terminal block width 5 - 17.5 mm; stretchable 5 - 5.2 mm; 10 strips with 10 markers per card; consecutive numbers each strip | 5 |
| 793-5507/000-024 | WMB Multi marking system; Horizontal marking; 51 ... 100 (2x); for terminal block width 5 - 17.5 mm; stretchable 5 - 5.2 mm; 10 strips with 10 markers per card; consecutive numbers each strip | 5 |
| 793-5508/000-024 | WMB Multi marking system; Horizontal marking; 101 ... 150 (2x); for terminal block width 5 - 17.5 mm; stretchable 5 - 5.2 mm; 10 strips with 10 markers per card; consecutive numbers each strip | 5 |
| 793-5554/000-012 | WMB Multi marking system; Horizontal marking; 60, 70 ... 100 (20 each); decade marking with red printing; for terminal block width 5 - 17.5 mm; stretchable 5 - 5.2 mm; 10 strips with 10 markers per card; 2 strips each with same numbers | 5 |
| 793-5400 | WMB Multi marking system; Horizontal marking; 51 / 52 (50 each); for terminal block width 5 - 17.5 mm; stretchable 5 - 5.2 mm; 10 strips with 10 markers per card; Same numbers each strip | 5 |
| 793-5401 | WMB Multi marking system; Horizontal marking; 53 / 54 (50 each); for terminal block width 5 - 17.5 mm; stretchable 5 - 5.2 mm; 10 strips with 10 markers per card; Same numbers each strip | 5 |
| 793-5402 | WMB Multi marking system; Horizontal marking; 55 / 56 (50 each); for terminal block width 5 - 17.5 mm; stretchable 5 - 5.2 mm; 10 strips with 10 markers per card; Same numbers each strip | 5 |
| 793-5403 | WMB Multi marking system; Horizontal marking; 57 / 58 (50 each); for terminal block width 5 - 17.5 mm; stretchable 5 - 5.2 mm; 10 strips with 10 markers per card; Same numbers each strip | 5 |
| 793-5404 | WMB Multi marking system; Horizontal marking; 59 / 60 (50 each); for terminal block width 5 - 17.5 mm; stretchable 5 - 5.2 mm; 10 strips with 10 markers per card; Same numbers each strip | 5 |
| 793-5405 | WMB Multi marking system; Horizontal marking; 61 / 62 (50 each); for terminal block width 5 - 17.5 mm; stretchable 5 - 5.2 mm; 10 strips with 10 markers per card; Same numbers each strip | 5 |
| 793-5406 | WMB Multi marking system; Horizontal marking; 63 / 64 (50 each); for terminal block width 5 - 17.5 mm; stretchable 5 - 5.2 mm; 10 strips with 10 markers per card; Same numbers each strip | 5 |

附件

| | | |
|----------|--|---|
| 793-5407 | WMB Multi marking system; Horizontal marking; 65 / 66 (50 each); for terminal block width 5 - 17.5 mm; stretchable 5 - 5.2 mm; 10 strips with 10 markers per card; Same numbers each strip | 5 |
| 793-5408 | WMB Multi marking system; Horizontal marking; 67 / 68 (50 each); for terminal block width 5 - 17.5 mm; stretchable 5 - 5.2 mm; 10 strips with 10 markers per card; Same numbers each strip | 5 |
| 793-5409 | WMB Multi marking system; Horizontal marking; 69 / 70 (50 each); for terminal block width 5 - 17.5 mm; stretchable 5 - 5.2 mm; 10 strips with 10 markers per card; Same numbers each strip | 5 |
| 793-5410 | WMB Multi marking system; Horizontal marking; 71 / 72 (50 each); for terminal block width 5 - 17.5 mm; stretchable 5 - 5.2 mm; 10 strips with 10 markers per card; Same numbers each strip | 5 |
| 793-5411 | WMB Multi marking system; Horizontal marking; 73 / 74 (50 each); for terminal block width 5 - 17.5 mm; stretchable 5 - 5.2 mm; 10 strips with 10 markers per card; Same numbers each strip | 5 |
| 793-5412 | WMB Multi marking system; Horizontal marking; 75 / 76 (50 each); for terminal block width 5 - 17.5 mm; stretchable 5 - 5.2 mm; 10 strips with 10 markers per card; Same numbers each strip | 5 |
| 793-5413 | WMB Multi marking system; Horizontal marking; 77 / 78 (50 each); for terminal block width 5 - 17.5 mm; stretchable 5 - 5.2 mm; 10 strips with 10 markers per card; Same numbers each strip | 5 |
| 793-5414 | WMB Multi marking system; Horizontal marking; 79 / 80 (50 each); for terminal block width 5 - 17.5 mm; stretchable 5 - 5.2 mm; 10 strips with 10 markers per card; Same numbers each strip | 5 |
| 793-5415 | WMB Multi marking system; Horizontal marking; 81 / 82 (50 each); for terminal block width 5 - 17.5 mm; stretchable 5 - 5.2 mm; 10 strips with 10 markers per card; Same numbers each strip | 5 |
| 793-5416 | WMB Multi marking system; Horizontal marking; 83 / 84 (50 each); for terminal block width 5 - 17.5 mm; stretchable 5 - 5.2 mm; 10 strips with 10 markers per card; Same numbers each strip | 5 |
| 793-5417 | WMB Multi marking system; Horizontal marking; 85 / 86 (50 each); for terminal block width 5 - 17.5 mm; stretchable 5 - 5.2 mm; 10 strips with 10 markers per card; Same numbers each strip | 5 |
| 793-5418 | WMB Multi marking system; Horizontal marking; 87 / 88 (50 each); for terminal block width 5 - 17.5 mm; stretchable 5 - 5.2 mm; 10 strips with 10 markers per card; Same numbers each strip | 5 |

附件

| | | |
|----------|--|---|
| 793-5419 | WMB Multi marking system; Horizontal marking; 89 / 90 (50 each); for terminal block width 5 - 17.5 mm; stretchable 5 - 5.2 mm; 10 strips with 10 markers per card; Same numbers each strip | 5 |
| 793-5420 | WMB Multi marking system; Horizontal marking; 91 / 92 (50 each); for terminal block width 5 - 17.5 mm; stretchable 5 - 5.2 mm; 10 strips with 10 markers per card; Same numbers each strip | 5 |
| 793-5421 | WMB Multi marking system; Horizontal marking; 93 / 94 (50 each); for terminal block width 5 - 17.5 mm; stretchable 5 - 5.2 mm; 10 strips with 10 markers per card; Same numbers each strip | 5 |
| 793-5422 | WMB Multi marking system; Horizontal marking; 95 / 96 (50 each); for terminal block width 5 - 17.5 mm; stretchable 5 - 5.2 mm; 10 strips with 10 markers per card; Same numbers each strip | 5 |
| 793-5423 | WMB Multi marking system; Horizontal marking; 97 / 98 (50 each); for terminal block width 5 - 17.5 mm; stretchable 5 - 5.2 mm; 10 strips with 10 markers per card; Same numbers each strip | 5 |
| 793-5424 | WMB Multi marking system; Horizontal marking; 99 / 100 (50 each); for terminal block width 5 - 17.5 mm; stretchable 5 - 5.2 mm; 10 strips with 10 markers per card; Same numbers each strip | 5 |
| 793-5425 | WMB Multi marking system; Horizontal marking; 101 / 102 (50 each); for terminal block width 5 - 17.5 mm; stretchable 5 - 5.2 mm; 10 strips with 10 markers per card; Same numbers each strip | 5 |
| 793-5426 | WMB Multi marking system; Horizontal marking; 103 / 104 (50 each); for terminal block width 5 - 17.5 mm; stretchable 5 - 5.2 mm; 10 strips with 10 markers per card; Same numbers each strip | 5 |
| 793-5427 | WMB Multi marking system; Horizontal marking; 105 / 106 (50 each); for terminal block width 5 - 17.5 mm; stretchable 5 - 5.2 mm; 10 strips with 10 markers per card; Same numbers each strip | 5 |
| 793-5428 | WMB Multi marking system; Horizontal marking; 107 / 108 (50 each); for terminal block width 5 - 17.5 mm; stretchable 5 - 5.2 mm; 10 strips with 10 markers per card; Same numbers each strip | 5 |
| 793-5429 | WMB Multi marking system; Horizontal marking; 109 / 110 (50 each); for terminal block width 5 - 17.5 mm; stretchable 5 - 5.2 mm; 10 strips with 10 markers per card; Same numbers each strip | 5 |
| 793-5430 | WMB Multi marking system; Horizontal marking; 111 / 112 (50 each); for terminal block width 5 - 17.5 mm; stretchable 5 - 5.2 mm; 10 strips with 10 markers per card; Same numbers each strip | 5 |

附件

| | | |
|----------|--|---|
| 793-5431 | WMB Multi marking system; Horizontal marking; 113 / 114 (50 each); for terminal block width 5 - 17.5 mm; stretchable 5 - 5.2 mm; 10 strips with 10 markers per card; Same numbers each strip | 5 |
| 793-5432 | WMB Multi marking system; Horizontal marking; 115 / 116 (50 each); for terminal block width 5 - 17.5 mm; stretchable 5 - 5.2 mm; 10 strips with 10 markers per card; Same numbers each strip | 5 |
| 793-5433 | WMB Multi marking system; Horizontal marking; 117 / 118 (50 each); for terminal block width 5 - 17.5 mm; stretchable 5 - 5.2 mm; 10 strips with 10 markers per card; Same numbers each strip | 5 |
| 793-5434 | WMB Multi marking system; Horizontal marking; 119 / 120 (50 each); for terminal block width 5 - 17.5 mm; stretchable 5 - 5.2 mm; 10 strips with 10 markers per card; Same numbers each strip | 5 |
| 793-5435 | WMB Multi marking system; Horizontal marking; 121 / 122 (50 each); for terminal block width 5 - 17.5 mm; stretchable 5 - 5.2 mm; 10 strips with 10 markers per card; Same numbers each strip | 5 |
| 793-5436 | WMB Multi marking system; Horizontal marking; 123 / 124 (50 each); for terminal block width 5 - 17.5 mm; stretchable 5 - 5.2 mm; 10 strips with 10 markers per card; Same numbers each strip | 5 |
| 793-5437 | WMB Multi marking system; Horizontal marking; 125 / 126 (50 each); for terminal block width 5 - 17.5 mm; stretchable 5 - 5.2 mm; 10 strips with 10 markers per card; Same numbers each strip | 5 |
| 793-5438 | WMB Multi marking system; Horizontal marking; 127 / 128 (50 each); for terminal block width 5 - 17.5 mm; stretchable 5 - 5.2 mm; 10 strips with 10 markers per card; Same numbers each strip | 5 |
| 793-5439 | WMB Multi marking system; Horizontal marking; 129 / 130 (50 each); for terminal block width 5 - 17.5 mm; stretchable 5 - 5.2 mm; 10 strips with 10 markers per card; Same numbers each strip | 5 |
| 793-5440 | WMB Multi marking system; Horizontal marking; 131 / 132 (50 each); for terminal block width 5 - 17.5 mm; stretchable 5 - 5.2 mm; 10 strips with 10 markers per card; Same numbers each strip | 5 |
| 793-5441 | WMB Multi marking system; Horizontal marking; 133 / 134 (50 each); for terminal block width 5 - 17.5 mm; stretchable 5 - 5.2 mm; 10 strips with 10 markers per card; Same numbers each strip | 5 |
| 793-5442 | WMB Multi marking system; Horizontal marking; 135 / 136 (50 each); for terminal block width 5 - 17.5 mm; stretchable 5 - 5.2 mm; 10 strips with 10 markers per card; Same numbers each strip | 5 |

附件

| | | |
|----------|---|---|
| 793-5443 | WMB Multi marking system; Horizontal marking; 137 / 138 (50 each); for terminal block width 5 - 17.5 mm; stretchable 5 - 5.2 mm; 10 strips with 10 markers per card; Same numbers each strip | 5 |
| 793-5444 | WMB Multi marking system; Horizontal marking; 139 / 140 (50 each); for terminal block width 5 - 17.5 mm; stretchable 5 - 5.2 mm; 10 strips with 10 markers per card; Same numbers each strip | 5 |
| 793-5445 | WMB Multi marking system; Horizontal marking; 141 / 142 (50 each); for terminal block width 5 - 17.5 mm; stretchable 5 - 5.2 mm; 10 strips with 10 markers per card; Same numbers each strip | 5 |
| 793-5446 | WMB Multi marking system; Horizontal marking; 143 / 144 (50 each); for terminal block width 5 - 17.5 mm; stretchable 5 - 5.2 mm; 10 strips with 10 markers per card; Same numbers each strip | 5 |
| 793-5447 | WMB Multi marking system; Horizontal marking; 145 / 146 (50 each); for terminal block width 5 - 17.5 mm; stretchable 5 - 5.2 mm; 10 strips with 10 markers per card; Same numbers each strip | 5 |
| 793-5448 | WMB Multi marking system; Horizontal marking; 147 / 148 (50 each); for terminal block width 5 - 17.5 mm; stretchable 5 - 5.2 mm; 10 strips with 10 markers per card; Same numbers each strip | 5 |
| 793-5449 | WMB Multi marking system; Horizontal marking; 149 / 150 (50 each); for terminal block width 5 - 17.5 mm; stretchable 5 - 5.2 mm; 10 strips with 10 markers per card; Same numbers each strip | 5 |
| 793-5458 | WMB Multi marking system; Horizontal marking; 1A, 1B, ..., 1G, 1H, ... to 10A, 10B, ..., 10G, 10H; for subdistribution boxes (power stations); for terminal block width 5 - 17.5 mm; stretchable 5 - 5.2 mm; 10 strips with 10 markers per card | 5 |
| 793-5472 | WMB Multi marking system; Horizontal marking; L1, L2, L3, N, PE, L1, L2, L3, N, PE (10x); for terminal block width 5 - 17.5 mm; stretchable 5 - 5.2 mm; 10 strips with 10 markers per card; Consecutive letters/symbols each strip | 5 |
| 793-5473 | WMB Multi marking system; Horizontal marking; U, V, W, N, PE, U, V, W, N, PE / L1, L2, L3, N, PE; for terminal block width 5 - 17.5 mm; stretchable 5 - 5.2 mm; 10 strips with 10 markers per card; Consecutive letters/symbols each strip | 5 |
| 793-5474 | WMB Multi marking system; Horizontal marking; U, V, W, N, PE, U, V, W, N, PE (10x); for terminal block width 5 - 17.5 mm; stretchable 5 - 5.2 mm; 10 strips with 10 markers per card; Consecutive letters/symbols each strip | 5 |
| 793-5478 | WMB Multi marking system; Horizontal marking; 101, 103, 105, ..., 199 and 102, 104, 106, ..., 200 (1x); for terminal block width 5 - 17.5 mm; stretchable 5 - 5.2 mm; 10 strips with 10 markers per card; consecutive numbers each strip | 5 |

附件

| | | |
|----------|--|---|
| 793-5487 | WMB Multi marking system; Horizontal marking; U1, V1, W1, U1, V1, W1, U1, V1, W1,... (10x); for terminal block width 5 - 17.5 mm; stretchable 5 - 5.2 mm; 10 strips with 10 markers per card; Consecutive letters/symbols each strip | 5 |
| 793-5494 | WMB Multi marking system; Horizontal marking; U2, V2, W2, U2, V2, W2, U2, V2, W2,... (10x); for terminal block width 5 - 17.5 mm; stretchable 5 - 5.2 mm; 10 strips with 10 markers per card; Consecutive letters/symbols each strip | 5 |
| 793-5495 | WMB Multi marking system; Horizontal marking; U3, V3, W3, U3, V3, W3, U3, V3, W3,... (10x); for terminal block width 5 - 17.5 mm; stretchable 5 - 5.2 mm; 10 strips with 10 markers per card; Consecutive letters/symbols each strip | 5 |
| 793-5496 | WMB Multi marking system; Horizontal marking; U4, V4, W4, U4, V4, W4, U4, V4, W4,... (10x); for terminal block width 5 - 17.5 mm; stretchable 5 - 5.2 mm; 10 strips with 10 markers per card; Consecutive letters/symbols each strip | 5 |
| 793-5497 | WMB Multi marking system; Horizontal marking; U5, V5, W5, U5, V5, W5, U5, V5, W5,... (10x); for terminal block width 5 - 17.5 mm; stretchable 5 - 5.2 mm; 10 strips with 10 markers per card; Consecutive letters/symbols each strip | 5 |
| 793-5498 | WMB Multi marking system; Horizontal marking; u6, v6, w6, ..., u6, v6, w6,... to u9, v9, w9, ..., u9, v9, w9, (2 each); for terminal block width 5 - 17.5 mm; stretchable 5 - 5.2 mm; 10 strips with 10 markers per card; Consecutive letters/symbols each str | 5 |
| 793-5502 | WMB Multi marking system; Horizontal marking; 1 ... 10 (10x); for terminal block width 5 - 17.5 mm; stretchable 5 - 5.2 mm; 10 strips with 10 markers per card; consecutive numbers each strip | 5 |
| 793-5503 | WMB Multi marking system; Horizontal marking; 11 ... 20 (10x); for terminal block width 5 - 17.5 mm; stretchable 5 - 5.2 mm; 10 strips with 10 markers per card; consecutive numbers each strip | 5 |
| 793-5504 | WMB Multi marking system; Horizontal marking; 21 ... 30 (10x); for terminal block width 5 - 17.5 mm; stretchable 5 - 5.2 mm; 10 strips with 10 markers per card; consecutive numbers each strip | 5 |
| 793-5505 | WMB Multi marking system; Horizontal marking; 31 ... 40 (10x); for terminal block width 5 - 17.5 mm; stretchable 5 - 5.2 mm; 10 strips with 10 markers per card; consecutive numbers each strip | 5 |
| 793-5506 | WMB Multi marking system; Horizontal marking; 41 ... 50 (10x); for terminal block width 5 - 17.5 mm; stretchable 5 - 5.2 mm; 10 strips with 10 markers per card; consecutive numbers each strip | 5 |
| 793-5507 | WMB Multi marking system; Horizontal marking; 51 ... 100 (2x); for terminal block width 5 - 17.5 mm; stretchable 5 - 5.2 mm; 10 strips with 10 markers per card; consecutive numbers each strip | 5 |

附件

| | | |
|----------|---|---|
| 793-5508 | WMB Multi marking system; Horizontal marking; 101 ... 150 (2x); for terminal block width 5 - 17.5 mm; stretchable 5 - 5.2 mm; 10 strips with 10 markers per card; consecutive numbers each strip | 5 |
| 793-5509 | WMB Multi marking system; Horizontal marking; 151 ... 200 (2x); for terminal block width 5 - 17.5 mm; stretchable 5 - 5.2 mm; 10 strips with 10 markers per card; consecutive numbers each strip | 5 |
| 793-5510 | WMB Multi marking system; Horizontal marking; 201 ... 300 (1x); for terminal block width 5 - 17.5 mm; stretchable 5 - 5.2 mm; 10 strips with 10 markers per card; consecutive numbers each strip | 5 |
| 793-5511 | WMB Multi marking system; Horizontal marking; 301 ... 400 (1x); for terminal block width 5 - 17.5 mm; stretchable 5 - 5.2 mm; 10 strips with 10 markers per card; consecutive numbers each strip | 5 |
| 793-5512 | WMB Multi marking system; Horizontal marking; 401 ... 500 (1x); for terminal block width 5 - 17.5 mm; stretchable 5 - 5.2 mm; 10 strips with 10 markers per card; consecutive numbers each strip | 5 |
| 793-5513 | WMB Multi marking system; Horizontal marking; 501 ... 600 (1x); for terminal block width 5 - 17.5 mm; stretchable 5 - 5.2 mm; 10 strips with 10 markers per card; consecutive numbers each strip | 5 |
| 793-5514 | WMB Multi marking system; Horizontal marking; 601 ... 700 (1x); for terminal block width 5 - 17.5 mm; stretchable 5 - 5.2 mm; 10 strips with 10 markers per card; consecutive numbers each strip | 5 |
| 793-5515 | WMB Multi marking system; Horizontal marking; 701 ... 800 (1x); for terminal block width 5 - 17.5 mm; stretchable 5 - 5.2 mm; 10 strips with 10 markers per card; consecutive numbers each strip | 5 |
| 793-5516 | WMB Multi marking system; Horizontal marking; 801 ... 900 (1x); for terminal block width 5 - 17.5 mm; stretchable 5 - 5.2 mm; 10 strips with 10 markers per card; consecutive numbers each strip | 5 |
| 793-5517 | WMB Multi marking system; Horizontal marking; 901 ... 1000 (1x); for terminal block width 5 - 17.5 mm; stretchable 5 - 5.2 mm; 10 strips with 10 markers per card; consecutive numbers each strip | 5 |
| 793-5518 | WMB Multi marking system; Horizontal marking; 1 / 2 (50 each); for terminal block width 5 - 17.5 mm; stretchable 5 - 5.2 mm; 10 strips with 10 markers per card; Same numbers each strip | 5 |
| 793-5519 | WMB Multi marking system; Horizontal marking; 3 / 4 (50 each); for terminal block width 5 - 17.5 mm; stretchable 5 - 5.2 mm; 10 strips with 10 markers per card; Same numbers each strip | 5 |

附件

| | | |
|----------|--|---|
| 793-5520 | WMB Multi marking system; Horizontal marking; 5 / 6 (50 each); for terminal block width 5 - 17.5 mm; stretchable 5 - 5.2 mm; 10 strips with 10 markers per card; Same numbers each strip | 5 |
| 793-5521 | WMB Multi marking system; Horizontal marking; 7 / 8 (50 each); for terminal block width 5 - 17.5 mm; stretchable 5 - 5.2 mm; 10 strips with 10 markers per card; Same numbers each strip | 5 |
| 793-5522 | WMB Multi marking system; Horizontal marking; 9 / 10 (50 each); for terminal block width 5 - 17.5 mm; stretchable 5 - 5.2 mm; 10 strips with 10 markers per card; Same numbers each strip | 5 |
| 793-5523 | WMB Multi marking system; Horizontal marking; 11 / 12 (50 each); for terminal block width 5 - 17.5 mm; stretchable 5 - 5.2 mm; 10 strips with 10 markers per card; Same numbers each strip | 5 |
| 793-5524 | WMB Multi marking system; Horizontal marking; 13 / 14 (50 each); for terminal block width 5 - 17.5 mm; stretchable 5 - 5.2 mm; 10 strips with 10 markers per card; Same numbers each strip | 5 |
| 793-5525 | WMB Multi marking system; Horizontal marking; 15 / 16 (50 each); for terminal block width 5 - 17.5 mm; stretchable 5 - 5.2 mm; 10 strips with 10 markers per card; Same numbers each strip | 5 |
| 793-5526 | WMB Multi marking system; Horizontal marking; 17 / 18 (50 each); for terminal block width 5 - 17.5 mm; stretchable 5 - 5.2 mm; 10 strips with 10 markers per card; Same numbers each strip | 5 |
| 793-5527 | WMB Multi marking system; Horizontal marking; 19 / 20 (50 each); for terminal block width 5 - 17.5 mm; stretchable 5 - 5.2 mm; 10 strips with 10 markers per card; Same numbers each strip | 5 |
| 793-5528 | WMB Multi marking system; Horizontal marking; 21 / 22 (50 each); for terminal block width 5 - 17.5 mm; stretchable 5 - 5.2 mm; 10 strips with 10 markers per card; Same numbers each strip | 5 |
| 793-5529 | WMB Multi marking system; Horizontal marking; 23 / 24 (50 each); for terminal block width 5 - 17.5 mm; stretchable 5 - 5.2 mm; 10 strips with 10 markers per card; Same numbers each strip | 5 |
| 793-5530 | WMB Multi marking system; Horizontal marking; 25 / 26 (50 each); for terminal block width 5 - 17.5 mm; stretchable 5 - 5.2 mm; 10 strips with 10 markers per card; Same numbers each strip | 5 |
| 793-5531 | WMB Multi marking system; Horizontal marking; 27 / 28 (50 each); for terminal block width 5 - 17.5 mm; stretchable 5 - 5.2 mm; 10 strips with 10 markers per card; Same numbers each strip | 5 |

附件

| | | |
|----------|---|---|
| 793-5532 | WMB Multi marking system; Horizontal marking; 29 / 30 (50 each); for terminal block width 5 - 17.5 mm; stretchable 5 - 5.2 mm; 10 strips with 10 markers per card; Same numbers each strip | 5 |
| 793-5533 | WMB Multi marking system; Horizontal marking; 31 / 32 (50 each); for terminal block width 5 - 17.5 mm; stretchable 5 - 5.2 mm; 10 strips with 10 markers per card; Same numbers each strip | 5 |
| 793-5534 | WMB Multi marking system; Horizontal marking; 33 / 34 (50 each); for terminal block width 5 - 17.5 mm; stretchable 5 - 5.2 mm; 10 strips with 10 markers per card; Same numbers each strip | 5 |
| 793-5535 | WMB Multi marking system; Horizontal marking; 35 / 36 (50 each); for terminal block width 5 - 17.5 mm; stretchable 5 - 5.2 mm; 10 strips with 10 markers per card; Same numbers each strip | 5 |
| 793-5536 | WMB Multi marking system; Horizontal marking; 37 / 38 (50 each); for terminal block width 5 - 17.5 mm; stretchable 5 - 5.2 mm; 10 strips with 10 markers per card; Same numbers each strip | 5 |
| 793-5537 | WMB Multi marking system; Horizontal marking; 39 / 40 (50 each); for terminal block width 5 - 17.5 mm; stretchable 5 - 5.2 mm; 10 strips with 10 markers per card; Same numbers each strip | 5 |
| 793-5538 | WMB Multi marking system; Horizontal marking; 41 / 42 (50 each); for terminal block width 5 - 17.5 mm; stretchable 5 - 5.2 mm; 10 strips with 10 markers per card; Same numbers each strip | 5 |
| 793-5539 | WMB Multi marking system; Horizontal marking; 43 / 44 (50 each); for terminal block width 5 - 17.5 mm; stretchable 5 - 5.2 mm; 10 strips with 10 markers per card; Same numbers each strip | 5 |
| 793-5540 | WMB Multi marking system; Horizontal marking; 45 / 46 (50 each); for terminal block width 5 - 17.5 mm; stretchable 5 - 5.2 mm; 10 strips with 10 markers per card; Same numbers each strip | 5 |
| 793-5541 | WMB Multi marking system; Horizontal marking; 47 / 48 (50 each); for terminal block width 5 - 17.5 mm; stretchable 5 - 5.2 mm; 10 strips with 10 markers per card; Same numbers each strip | 5 |
| 793-5542 | WMB Multi marking system; Horizontal marking; 49 / 50 (50 each); for terminal block width 5 - 17.5 mm; stretchable 5 - 5.2 mm; 10 strips with 10 markers per card; Same numbers each strip | 5 |
| 793-5543 | WMB Multi marking system; Horizontal marking; a, b, c, e, u, v, w, x, y, z (10x); for terminal block width 5 - 17.5 mm; stretchable 5 - 5.2 mm; 10 strips with 10 markers per card; Same letters/symbols each strip | 5 |

附件

| | | |
|----------|---|---|
| 793-5544 | WMB Multi marking system; Horizontal marking; R, S, T, U, V, W, X, Y, Z, Mp (10x); for terminal block width 5 - 17.5 mm; stretchable 5 - 5.2 mm; 10 strips with 10 markers per card; Same letters/symbols each strip | 5 |
| 793-5545 | WMB Multi marking system; Horizontal marking; A, B, P, N, PE, PEN, L1, L2, L3, Ground (10x); for terminal block width 5 - 17.5 mm; stretchable 5 - 5.2 mm; 10 strips with 10 markers per card; Same letters/symbols each strip | 5 |
| 793-5546 | WMB Multi marking system; Horizontal marking; R1, S1, T1, U1, V1, W1, X1, Y1, Z1,SL (10x); for terminal block width 5 - 17.5 mm; stretchable 5 - 5.2 mm; 10 strips with 10 markers per card; Same letters/symbols each strip | 5 |
| 793-5547 | WMB Multi marking system; Horizontal marking; R2, S2, T2, U2, V2, W2, X2, Y2, Z2,SL (10x); for terminal block width 5 - 17.5 mm; stretchable 5 - 5.2 mm; 10 strips with 10 markers per card; Same letters/symbols each strip | 5 |
| 793-5548 | WMB Multi marking system; Horizontal marking; R3, S3, T3, U3, V3, W3, X3, Y3, Z3,SL (10x); for terminal block width 5 - 17.5 mm; stretchable 5 - 5.2 mm; 10 strips with 10 markers per card; Same letters/symbols each strip | 5 |
| 793-5549 | WMB Multi marking system; Horizontal marking; R4, S4, T4, ..., Y4, Z4, SL and R5, S5, T5, ..., Y5, Z5, SL (5 each); for terminal block width 5 - 17.5 mm; stretchable 5 - 5.2 mm; 10 strips with 10 markers per card; Same letters/symbols each strip | 5 |
| 793-5550 | WMB Multi marking system; Horizontal marking; R6, S6, T6, ..., Y6, Z6, SL to R10, S10, T10, ..., Y10, Z10, SL (2 each); for terminal block width 5 - 17.5 mm; stretchable 5 - 5.2 mm; 10 strips with 10 markers per card; Same letters/symbols each strip | 5 |
| 793-5552 | WMB Multi marking system; Horizontal marking; +/- (50x); for terminal block width 5 - 17.5 mm; stretchable 5 - 5.2 mm; 10 strips with 10 markers per card; Same letters/symbols each strip | 5 |
| 793-5553 | WMB Multi marking system; Horizontal marking; 10, 20 ... 50 (20 each); decade marking with red printing; for terminal block width 5 - 17.5 mm; stretchable 5 - 5.2 mm; 10 strips with 10 markers per card; 2 strips each with same numbers | 5 |
| 793-5554 | WMB Multi marking system; Horizontal marking; 60, 70 ... 100 (20 each); decade marking with red printing; for terminal block width 5 - 17.5 mm; stretchable 5 - 5.2 mm; 10 strips with 10 markers per card; 2 strips each with same numbers | 5 |
| 793-5555 | WMB Multi marking system; Horizontal marking; 110, 120 ... 150 (20 each); decade marking with red printing; for terminal block width 5 - 17.5 mm; stretchable 5 - 5.2 mm; 10 strips with 10 markers per card; 2 strips each with same numbers | 5 |
| 793-5556 | WMB Multi marking system; Horizontal marking; 160, 170 ... 200 (20 each); decade marking with red printing; for terminal block width 5 - 17.5 mm; stretchable 5 - 5.2 mm; 10 strips with 10 markers per card; 2 strips each with same numbers | 5 |

附件

| | | |
|----------|---|---|
| 793-5557 | WMB Multi marking system; Horizontal marking; 210, 220 ... 300 (10 each); decade marking with red printing; for terminal block width 5 - 17.5 mm; stretchable 5 - 5.2 mm; 10 strips with 10 markers per card; 1 strip each with same numbers | 5 |
| 793-5558 | WMB Multi marking system; Horizontal marking; 310, 320 ... 400 (10 each); decade marking with red printing; for terminal block width 5 - 17.5 mm; stretchable 5 - 5.2 mm; 10 strips with 10 markers per card; 1 strip each with same numbers | 5 |
| 793-5559 | WMB Multi marking system; Horizontal marking; 410, 420 ... 500 (10 each); decade marking with red printing; for terminal block width 5 - 17.5 mm; stretchable 5 - 5.2 mm; 10 strips with 10 markers per card; 1 strip each with same numbers | 5 |
| 793-5560 | WMB Multi marking system; Horizontal marking; 510, 520 ... 600 (10 each); decade marking with red printing; for terminal block width 5 - 17.5 mm; stretchable 5 - 5.2 mm; 10 strips with 10 markers per card; 1 strip each with same numbers | 5 |
| 793-5561 | WMB Multi marking system; Horizontal marking; 610, 620 ... 700 (10 each); decade marking with red printing; for terminal block width 5 - 17.5 mm; stretchable 5 - 5.2 mm; 10 strips with 10 markers per card; 1 strip each with same numbers | 5 |
| 793-5564 | WMB Multi marking system; Horizontal marking; 910, 920 ... 1000 (10 each); decade marking with red printing; for terminal block width 5 - 17.5 mm; stretchable 5 - 5.2 mm; 10 strips with 10 markers per card; 1 strip each with same numbers | 5 |
| 793-5565 | WMB Multi marking system; Horizontal marking; 1 ... 9 (10x); for terminal block width 5 - 17.5 mm; stretchable 5 - 5.2 mm; 10 strips with 10 markers per card; consecutive numbers each strip | 5 |
| 793-5566 | WMB Multi marking system; Horizontal marking; 1 ... 50 (2x); for terminal block width 5 - 17.5 mm; stretchable 5 - 5.2 mm; 10 strips with 10 markers per card; consecutive numbers each strip | 5 |
| 793-5569 | WMB Multi marking system; Horizontal marking; 51 ... 60 (10x); for terminal block width 5 - 17.5 mm; stretchable 5 - 5.2 mm; 10 strips with 10 markers per card; consecutive numbers each strip | 5 |
| 793-5570 | WMB Multi marking system; Horizontal marking; 61 ... 70 (10x); for terminal block width 5 - 17.5 mm; stretchable 5 - 5.2 mm; 10 strips with 10 markers per card; consecutive numbers each strip | 5 |
| 793-5571 | WMB Multi marking system; Horizontal marking; 71 ... 80 (10x); for terminal block width 5 - 17.5 mm; stretchable 5 - 5.2 mm; 10 strips with 10 markers per card; consecutive numbers each strip | 5 |
| 793-5572 | WMB Multi marking system; Horizontal marking; 81 ... 90 (10x); for terminal block width 5 - 17.5 mm; stretchable 5 - 5.2 mm; 10 strips with 10 markers per card; consecutive numbers each strip | 5 |

附件

| | | |
|----------|--|---|
| 793-5573 | WMB Multi marking system; Horizontal marking; 91 ... 100 (10x); for terminal block width 5 - 17.5 mm; stretchable 5 - 5.2 mm; 10 strips with 10 markers per card; consecutive numbers each strip | 5 |
| 793-5574 | WMB Multi marking system; Horizontal marking; L1 (100x); for terminal block width 5 - 17.5 mm; stretchable 5 - 5.2 mm; 10 strips with 10 markers per card; Same letters/symbols each strip | 5 |
| 793-5575 | WMB Multi marking system; Horizontal marking; L2 (100x); for terminal block width 5 - 17.5 mm; stretchable 5 - 5.2 mm; 10 strips with 10 markers per card; Same letters/symbols each strip | 5 |
| 793-5576 | WMB Multi marking system; Horizontal marking; L3 (100x); for terminal block width 5 - 17.5 mm; stretchable 5 - 5.2 mm; 10 strips with 10 markers per card; Same letters/symbols each strip | 5 |
| 793-5577 | WMB Multi marking system; Horizontal marking; N (100x); for terminal block width 5 - 17.5 mm; stretchable 5 - 5.2 mm; 10 strips with 10 markers per card; Same letters/symbols each strip | 5 |
| 793-5578 | WMB Multi marking system; Horizontal marking; PE (100x); for terminal block width 5 - 17.5 mm; stretchable 5 - 5.2 mm; 10 strips with 10 markers per card; Same letters/symbols each strip | 5 |
| 793-5579 | WMB Multi marking system; Horizontal marking; PEN (100x); for terminal block width 5 - 17.5 mm; stretchable 5 - 5.2 mm; 10 strips with 10 markers per card; Same letters/symbols each strip | 5 |
| 793-5580 | WMB Multi marking system; Horizontal marking; Ground (100x); for terminal block width 5 - 17.5 mm; stretchable 5 - 5.2 mm; 10 strips with 10 markers per card; Same letters/symbols each strip | 5 |
| 793-5581 | WMB Multi marking system; Horizontal marking; R (100x); for terminal block width 5 - 17.5 mm; stretchable 5 - 5.2 mm; 10 strips with 10 markers per card; Same letters/symbols each strip | 5 |
| 793-5582 | WMB Multi marking system; Horizontal marking; S (100x); for terminal block width 5 - 17.5 mm; stretchable 5 - 5.2 mm; 10 strips with 10 markers per card; Same letters/symbols each strip | 5 |
| 793-5583 | WMB Multi marking system; Horizontal marking; T (100x); for terminal block width 5 - 17.5 mm; stretchable 5 - 5.2 mm; 10 strips with 10 markers per card; Same letters/symbols each strip | 5 |
| 793-5587 | WMB Multi marking system; Horizontal marking; U (100x); for terminal block width 5 - 17.5 mm; stretchable 5 - 5.2 mm; 10 strips with 10 markers per card; Same letters/symbols each strip | 5 |

附件

| | | |
|----------|--|---|
| 793-5588 | WMB Multi marking system; Horizontal marking; V (100x); for terminal block width 5 - 17.5 mm; stretchable 5 - 5.2 mm; 10 strips with 10 markers per card; Same letters/symbols each strip | 5 |
| 793-5589 | WMB Multi marking system; Horizontal marking; W (100x); for terminal block width 5 - 17.5 mm; stretchable 5 - 5.2 mm; 10 strips with 10 markers per card; Same letters/symbols each strip | 5 |
| 793-5599 | WMB Multi marking system; Horizontal marking; 1, 3, 5, ..., 99 And 2, 4, 6, ..., 100 (1x); for double-deck terminal blocks; for terminal block width 5 - 17.5 mm; stretchable 5 - 5.2 mm; 10 strips with 10 markers per card; consecutive numbers each strip | 5 |
| 793-5602 | WMB Multi marking system; Vertical marking; 1 ... 10 (10x); for terminal block width 5 - 17.5 mm; stretchable 5 - 5.2 mm; 10 strips with 10 markers per card; consecutive numbers each strip | 5 |
| 793-5603 | WMB Multi marking system; Vertical marking; 11 ... 20 (10x); for terminal block width 5 - 17.5 mm; stretchable 5 - 5.2 mm; 10 strips with 10 markers per card; consecutive numbers each strip | 5 |
| 793-5604 | WMB Multi marking system; Vertical marking; 21 ... 30 (10x); for terminal block width 5 - 17.5 mm; stretchable 5 - 5.2 mm; 10 strips with 10 markers per card; consecutive numbers each strip | 5 |
| 793-5605 | WMB Multi marking system; Vertical marking; 31 ... 40 (10x); for terminal block width 5 - 17.5 mm; stretchable 5 - 5.2 mm; 10 strips with 10 markers per card; consecutive numbers each strip | 5 |
| 793-5606 | WMB Multi marking system; Vertical marking; 41 ... 50 (10x); for terminal block width 5 - 17.5 mm; stretchable 5 - 5.2 mm; 10 strips with 10 markers per card; consecutive numbers each strip | 5 |
| 793-5607 | WMB Multi marking system; Vertical marking; 51 ... 100 (2x); for terminal block width 5 - 17.5 mm; stretchable 5 - 5.2 mm; 10 strips with 10 markers per card; consecutive numbers each strip | 5 |
| 793-5608 | WMB Multi marking system; Vertical marking; 101 ... 150 (2x); for terminal block width 5 - 17.5 mm; stretchable 5 - 5.2 mm; 10 strips with 10 markers per card; consecutive numbers each strip | 5 |
| 793-5609 | WMB Multi marking system; Vertical marking; 151 ... 200 (2x); for terminal block width 5 - 17.5 mm; stretchable 5 - 5.2 mm; 10 strips with 10 markers per card; consecutive numbers each strip | 5 |
| 793-5610 | WMB Multi marking system; Vertical marking; 201 ... 300 (1x); for terminal block width 5 - 17.5 mm; stretchable 5 - 5.2 mm; 10 strips with 10 markers per card; consecutive numbers each strip | 5 |

附件

| | | |
|----------|---|---|
| 793-5611 | WMB Multi marking system; Vertical marking; 301 ... 400 (1x); for terminal block width 5 - 17.5 mm; stretchable 5 - 5.2 mm; 10 strips with 10 markers per card; consecutive numbers each strip | 5 |
| 793-5612 | WMB Multi marking system; Vertical marking; 401 ... 500 (1x); for terminal block width 5 - 17.5 mm; stretchable 5 - 5.2 mm; 10 strips with 10 markers per card; consecutive numbers each strip | 5 |
| 793-5613 | WMB Multi marking system; Vertical marking; 501 ... 600 (1x); for terminal block width 5 - 17.5 mm; stretchable 5 - 5.2 mm; 10 strips with 10 markers per card; consecutive numbers each strip | 5 |
| 793-5614 | WMB Multi marking system; Vertical marking; 601 ... 700 (1x); for terminal block width 5 - 17.5 mm; stretchable 5 - 5.2 mm; 10 strips with 10 markers per card; consecutive numbers each strip | 5 |
| 793-5615 | WMB Multi marking system; Vertical marking; 701 ... 800 (1x); for terminal block width 5 - 17.5 mm; stretchable 5 - 5.2 mm; 10 strips with 10 markers per card; consecutive numbers each strip | 5 |
| 793-5616 | WMB Multi marking system; Vertical marking; 801 ... 900 (1x); for terminal block width 5 - 17.5 mm; stretchable 5 - 5.2 mm; 10 strips with 10 markers per card; consecutive numbers each strip | 5 |
| 793-5617 | WMB Multi marking system; Vertical marking; 901 ... 1000 (1x); for terminal block width 5 - 17.5 mm; stretchable 5 - 5.2 mm; 10 strips with 10 markers per card; consecutive numbers each strip | 5 |
| 793-5618 | WMB Multi marking system; Vertical marking; 1 / 2 (50 each); for terminal block width 5 - 17.5 mm; stretchable 5 - 5.2 mm; 10 strips with 10 markers per card; Same numbers each strip | 5 |
| 793-5619 | WMB Multi marking system; Vertical marking; 3 / 4 (50 each); for terminal block width 5 - 17.5 mm; stretchable 5 - 5.2 mm; 10 strips with 10 markers per card; Same numbers each strip | 5 |
| 793-5620 | WMB Multi marking system; Vertical marking; 5 / 6 (50 each); for terminal block width 5 - 17.5 mm; stretchable 5 - 5.2 mm; 10 strips with 10 markers per card; Same numbers each strip | 5 |
| 793-5621 | WMB Multi marking system; Vertical marking; 7 / 8 (50 each); for terminal block width 5 - 17.5 mm; stretchable 5 - 5.2 mm; 10 strips with 10 markers per card; Same numbers each strip | 5 |
| 793-5622 | WMB Multi marking system; Vertical marking; 9 / 10 (50 each); for terminal block width 5 - 17.5 mm; stretchable 5 - 5.2 mm; 10 strips with 10 markers per card; Same numbers each strip | 5 |

附件

| | | |
|----------|--|---|
| 793-5623 | WMB Multi marking system; Vertical marking; 11 / 12 (50 each); for terminal block width 5 - 17.5 mm; stretchable 5 - 5.2 mm; 10 strips with 10 markers per card; Same numbers each strip | 5 |
| 793-5624 | WMB Multi marking system; Vertical marking; 13 / 14 (50 each); for terminal block width 5 - 17.5 mm; stretchable 5 - 5.2 mm; 10 strips with 10 markers per card; Same numbers each strip | 5 |
| 793-5625 | WMB Multi marking system; Vertical marking; 15 / 16 (50 each); for terminal block width 5 - 17.5 mm; stretchable 5 - 5.2 mm; 10 strips with 10 markers per card; Same numbers each strip | 5 |
| 793-5626 | WMB Multi marking system; Vertical marking; 17 / 18 (50 each); for terminal block width 5 - 17.5 mm; stretchable 5 - 5.2 mm; 10 strips with 10 markers per card; Same numbers each strip | 5 |
| 793-5627 | WMB Multi marking system; Vertical marking; 19 / 20 (50 each); for terminal block width 5 - 17.5 mm; stretchable 5 - 5.2 mm; 10 strips with 10 markers per card; Same numbers each strip | 5 |
| 793-5628 | WMB Multi marking system; Vertical marking; 21 / 22 (50 each); for terminal block width 5 - 17.5 mm; stretchable 5 - 5.2 mm; 10 strips with 10 markers per card; Same numbers each strip | 5 |
| 793-5629 | WMB Multi marking system; Vertical marking; 23 / 24 (50 each); for terminal block width 5 - 17.5 mm; stretchable 5 - 5.2 mm; 10 strips with 10 markers per card; Same numbers each strip | 5 |
| 793-5630 | WMB Multi marking system; Vertical marking; 25 / 26 (50 each); for terminal block width 5 - 17.5 mm; stretchable 5 - 5.2 mm; 10 strips with 10 markers per card; Same numbers each strip | 5 |
| 793-5631 | WMB Multi marking system; Vertical marking; 27 / 28 (50 each); for terminal block width 5 - 17.5 mm; stretchable 5 - 5.2 mm; 10 strips with 10 markers per card; Same numbers each strip | 5 |
| 793-5632 | WMB Multi marking system; Vertical marking; 29 / 30 (50 each); for terminal block width 5 - 17.5 mm; stretchable 5 - 5.2 mm; 10 strips with 10 markers per card; Same numbers each strip | 5 |
| 793-5633 | WMB Multi marking system; Vertical marking; 31 / 32 (50 each); for terminal block width 5 - 17.5 mm; stretchable 5 - 5.2 mm; 10 strips with 10 markers per card; Same numbers each strip | 5 |
| 793-5634 | WMB Multi marking system; Vertical marking; 33 / 34 (50 each); for terminal block width 5 - 17.5 mm; stretchable 5 - 5.2 mm; 10 strips with 10 markers per card; Same numbers each strip | 5 |

附件

| | | |
|----------|--|---|
| 793-5635 | WMB Multi marking system; Vertical marking; 35 / 36 (50 each); for terminal block width 5 - 17.5 mm; stretchable 5 - 5.2 mm; 10 strips with 10 markers per card; Same numbers each strip | 5 |
| 793-5636 | WMB Multi marking system; Vertical marking; 37 / 38 (50 each); for terminal block width 5 - 17.5 mm; stretchable 5 - 5.2 mm; 10 strips with 10 markers per card; Same numbers each strip | 5 |
| 793-5637 | WMB Multi marking system; Vertical marking; 39 / 40 (50 each); for terminal block width 5 - 17.5 mm; stretchable 5 - 5.2 mm; 10 strips with 10 markers per card; Same numbers each strip | 5 |
| 793-5638 | WMB Multi marking system; Vertical marking; 41 / 42 (50 each); for terminal block width 5 - 17.5 mm; stretchable 5 - 5.2 mm; 10 strips with 10 markers per card; Same numbers each strip | 5 |
| 793-5639 | WMB Multi marking system; Vertical marking; 43 / 44 (50 each); for terminal block width 5 - 17.5 mm; stretchable 5 - 5.2 mm; 10 strips with 10 markers per card; Same numbers each strip | 5 |
| 793-5640 | WMB Multi marking system; Vertical marking; 45 / 46 (50 each); for terminal block width 5 - 17.5 mm; stretchable 5 - 5.2 mm; 10 strips with 10 markers per card; Same numbers each strip | 5 |
| 793-5641 | WMB Multi marking system; Vertical marking; 47 / 48 (50 each); for terminal block width 5 - 17.5 mm; stretchable 5 - 5.2 mm; 10 strips with 10 markers per card; Same numbers each strip | 5 |
| 793-5642 | WMB Multi marking system; Vertical marking; 49 / 50 (50 each); for terminal block width 5 - 17.5 mm; stretchable 5 - 5.2 mm; 10 strips with 10 markers per card; Same numbers each strip | 5 |
| 793-5643 | WMB Multi marking system; Vertical marking; a, b, c, e, u, v, w, x, y, z (10x); for terminal block width 5 - 17.5 mm; stretchable 5 - 5.2 mm; 10 strips with 10 markers per card; Same letters/symbols each strip | 5 |
| 793-5644 | WMB Multi marking system; Vertical marking; R, S, T, U, V, W, X, Y, Z, Mp (10x); for terminal block width 5 - 17.5 mm; stretchable 5 - 5.2 mm; 10 strips with 10 markers per card; Same letters/symbols each strip | 5 |
| 793-5645 | WMB Multi marking system; Vertical marking; A, B, P, N, PE, PEN, L1, L2, L3, Ground (10x); for terminal block width 5 - 17.5 mm; stretchable 5 - 5.2 mm; 10 strips with 10 markers per card; Same letters/symbols each strip | 5 |
| 793-5646 | WMB Multi marking system; Vertical marking; R1, S1, T1, U1, V1, W1, X1, Y1, Z1,SL (10x); for terminal block width 5 - 17.5 mm; stretchable 5 - 5.2 mm; 10 strips with 10 markers per card; Same letters/symbols each strip | 5 |

附件

| | | |
|----------|---|---|
| 793-5647 | WMB Multi marking system; Vertical marking; R2, S2, T2, U2, V2, W2, X2, Y2, Z2,SL (10x); for terminal block width 5 - 17.5 mm; stretchable 5 - 5.2 mm; 10 strips with 10 markers per card; Same letters/symbols each strip | 5 |
| 793-5648 | WMB Multi marking system; Vertical marking; R3, S3, T3, U3, V3, W3, X3, Y3, Z3,SL (10x); for terminal block width 5 - 17.5 mm; stretchable 5 - 5.2 mm; 10 strips with 10 markers per card; Consecutive letters/symbols each strip | 5 |
| 793-5652 | WMB Multi marking system; Vertical marking; +/- (50x); for terminal block width 5 - 17.5 mm; stretchable 5 - 5.2 mm; 10 strips with 10 markers per card; Same letters/symbols each strip | 5 |
| 793-5653 | WMB Multi marking system; Vertical marking; 10, 20 ... 50 (20 each); decade marking with red printing; for terminal block width 5 - 17.5 mm; stretchable 5 - 5.2 mm; 10 strips with 10 markers per card; 2 strips each with same numbers | 5 |
| 793-5654 | WMB Multi marking system; Vertical marking; 60, 70 ... 100 (20 each); decade marking with red printing; for terminal block width 5 - 17.5 mm; stretchable 5 - 5.2 mm; 10 strips with 10 markers per card; 2 strips each with same numbers | 5 |
| 793-5655 | WMB Multi marking system; Vertical marking; 110, 120 ... 150 (20 each); decade marking with red printing; for terminal block width 5 - 17.5 mm; stretchable 5 - 5.2 mm; 10 strips with 10 markers per card; 2 strips each with same numbers | 5 |
| 793-5656 | WMB Multi marking system; Vertical marking; 160, 170 ... 200 (20 each); decade marking with red printing; for terminal block width 5 - 17.5 mm; stretchable 5 - 5.2 mm; 10 strips with 10 markers per card; 2 strips each with same numbers | 5 |
| 793-5657 | WMB Multi marking system; Vertical marking; 210, 220 ... 300 (10 each); decade marking with red printing; for terminal block width 5 - 17.5 mm; stretchable 5 - 5.2 mm; 10 strips with 10 markers per card; 1 strip each with same numbers | 5 |
| 793-5658 | WMB Multi marking system; Vertical marking; 310, 320 ... 400 (10 each); decade marking with red printing; for terminal block width 5 - 17.5 mm; stretchable 5 - 5.2 mm; 10 strips with 10 markers per card; 1 strip each with same numbers | 5 |
| 793-5659 | WMB Multi marking system; Vertical marking; 410, 420 ... 500 (10 each); decade marking with red printing; for terminal block width 5 - 17.5 mm; stretchable 5 - 5.2 mm; 10 strips with 10 markers per card; 1 strip each with same numbers | 5 |
| 793-5662 | WMB Multi marking system; Vertical marking; 710, 720 ... 800 (10 each); decade marking with red printing; for terminal block width 5 - 17.5 mm; stretchable 5 - 5.2 mm; 10 strips with 10 markers per card; 1 strip each with same numbers | 5 |
| 793-5663 | WMB Multi marking system; Vertical marking; 810, 820 ... 900 (10 each); decade marking with red printing; for terminal block width 5 - 17.5 mm; stretchable 5 - 5.2 mm; 10 strips with 10 markers per card; 1 strip each with same numbers | 5 |
| 793-5664 | WMB Multi marking system; Vertical marking; 910, 920 ... 1000 (10 each); decade marking with red printing; for terminal block width 5 - 17.5 mm; stretchable 5 - 5.2 mm; 10 strips with 10 markers per card; 1 strip each with same numbers | 5 |

附件

| | | |
|----------|---|---|
| 793-5665 | WMB Multi marking system; Vertical marking; 1 ... 9 (10x); for terminal block width 5 - 17.5 mm; stretchable 5 - 5.2 mm; 10 strips with 10 markers per card; consecutive numbers each strip | 5 |
| 793-5666 | WMB Multi marking system; Vertical marking; 1 ... 50 (2x); for terminal block width 5 - 17.5 mm; stretchable 5 - 5.2 mm; 10 strips with 10 markers per card; consecutive numbers each strip | 5 |
| 793-5667 | WMB Multi marking system; Vertical marking; 101, 101, 101, 102, ..., 130, 130, 130 (1x); for terminal block width 5 - 17.5 mm; stretchable 5 - 5.2 mm; 10 strips with 10 markers per card; consecutive numbers each strip | 5 |
| 793-5668 | WMB Multi marking system; Vertical marking; 131, 131, 131, 132, ..., 160, 160, 160 (1x); for terminal block width 5 - 17.5 mm; stretchable 5 - 5.2 mm; 10 strips with 10 markers per card; consecutive numbers each strip | 5 |
| 793-5669 | WMB Multi marking system; Vertical marking; 1101 ... 1200 (1x); for terminal block width 5 - 17.5 mm; stretchable 5 - 5.2 mm; 10 strips with 10 markers per card; consecutive numbers each strip | 5 |
| 793-5670 | WMB Multi marking system; Vertical marking; 1201 ... 1300 (1x); for terminal block width 5 - 17.5 mm; stretchable 5 - 5.2 mm; 10 strips with 10 markers per card; consecutive numbers each strip | 5 |
| 793-5671 | WMB Multi marking system; Vertical marking; 1301 ... 1400 (1x); for terminal block width 5 - 17.5 mm; stretchable 5 - 5.2 mm; 10 strips with 10 markers per card; consecutive numbers each strip | 5 |
| 793-5672 | WMB Multi marking system; Vertical marking; 1401 ... 1500 (1x); for terminal block width 5 - 17.5 mm; stretchable 5 - 5.2 mm; 10 strips with 10 markers per card; consecutive numbers each strip | 5 |
| 793-5674 | WMB Multi marking system; Vertical marking; L1 (100x); for terminal block width 5 - 17.5 mm; stretchable 5 - 5.2 mm; 10 strips with 10 markers per card; Same letters/symbols each strip | 5 |
| 793-5675 | WMB Multi marking system; Vertical marking; L2 (100x); for terminal block width 5 - 17.5 mm; stretchable 5 - 5.2 mm; 10 strips with 10 markers per card; Same letters/symbols each strip | 5 |
| 793-5676 | WMB Multi marking system; Vertical marking; L3 (100x); for terminal block width 5 - 17.5 mm; stretchable 5 - 5.2 mm; 10 strips with 10 markers per card; Same letters/symbols each strip | 5 |
| 793-5677 | WMB Multi marking system; Vertical marking; N (100x); for terminal block width 5 - 17.5 mm; stretchable 5 - 5.2 mm; 10 strips with 10 markers per card; Same letters/symbols each strip | 5 |
| 793-5678 | WMB Multi marking system; Vertical marking; PE (100x); for terminal block width 5 - 17.5 mm; stretchable 5 - 5.2 mm; 10 strips with 10 markers per card; Same letters/symbols each strip | 5 |

| 附件 | | |
|----------|--|---|
| 793-5679 | WMB Multi marking system; Vertical marking; PEN (100x); for terminal block width 5 - 17.5 mm; stretchable 5 - 5.2 mm; 10 strips with 10 markers per card; Same letters/symbols each strip | 5 |
| 793-5680 | WMB Multi marking system; Vertical marking; Ground (100x); for terminal block width 5 - 17.5 mm; stretchable 5 - 5.2 mm; 10 strips with 10 markers per card; Same letters/symbols each strip | 5 |
| 793-5681 | WMB Multi marking system; Vertical marking; R (100x); for terminal block width 5 - 17.5 mm; stretchable 5 - 5.2 mm; 10 strips with 10 markers per card; Same letters/symbols each strip | 5 |
| 793-5682 | WMB Multi marking system; Vertical marking; S (100x); for terminal block width 5 - 17.5 mm; stretchable 5 - 5.2 mm; 10 strips with 10 markers per card; Same letters/symbols each strip | 5 |
| 793-5683 | WMB Multi marking system; Vertical marking; T (100x); for terminal block width 5 - 17.5 mm; stretchable 5 - 5.2 mm; 10 strips with 10 markers per card; Same letters/symbols each strip | 5 |
| 793-5687 | WMB Multi marking system; Vertical marking; U1, V1, W1, U1, V1, W1, U1, V1, W1,... (10x); for terminal block width 5 - 17.5 mm; stretchable 5 - 5.2 mm; 10 strips with 10 markers per card; Consecutive letters/symbols each strip | 5 |
| 793-5688 | WMB Multi marking system; Vertical marking; 1001 ... 1100 (1x); for terminal block width 5 - 17.5 mm; stretchable 5 - 5.2 mm; 10 strips with 10 markers per card; Consecutive numbers each strip | 5 |
| 793-5694 | WMB Multi marking system; Vertical marking; U2, V2, W2, U2, V2, W2, U2, V2, W2,... (10x); for terminal block width 5 - 17.5 mm; stretchable 5 - 5.2 mm; 10 strips with 10 markers per card; Consecutive letters/symbols each strip | 5 |
| 793-5695 | WMB Multi marking system; Vertical marking; U3, V3, W3, U3, V3, W3, U3, V3, W3,... (10x); for terminal block width 5 - 17.5 mm; stretchable 5 - 5.2 mm; 10 strips with 10 markers per card; Consecutive letters/symbols each strip | 5 |
| 793-5696 | WMB Multi marking system; Vertical marking; U4, V4, W4, U4, V4, W4, U4, V4, W4,... (10x); for terminal block width 5 - 17.5 mm; stretchable 5 - 5.2 mm; 10 strips with 10 markers per card; Consecutive letters/symbols each strip | 5 |
| 793-5697 | WMB Multi marking system; Vertical marking; U5, V5, W5, U5, V5, W5, U5, V5, W5,... (10x); for terminal block width 5 - 17.5 mm; stretchable 5 - 5.2 mm; 10 strips with 10 markers per card; Consecutive letters/symbols each strip | 5 |
| 793-5698 | WMB Multi marking system; Vertical marking; u6, v6, w6, ..., u6, v6, w6,... to u9, v9, w9, ..., u9, v9, w9, (2 each); for terminal block width 5 - 17.5 mm; stretchable 5 - 5.2 mm; 10 strips with 10 markers per card; Consecutive letters/symbols each strip | 5 |
| 793-5699 | WMB Multi marking system; Vertical marking; 1, 3, 5, ..., 99 And 2, 4, 6, ..., 100 (1x); for double-deck terminal blocks; for terminal block width 5 - 17.5 mm; stretchable 5 - 5.2 mm; 10 strips with 10 markers per card; consecutive numbers each strip | 5 |

附件

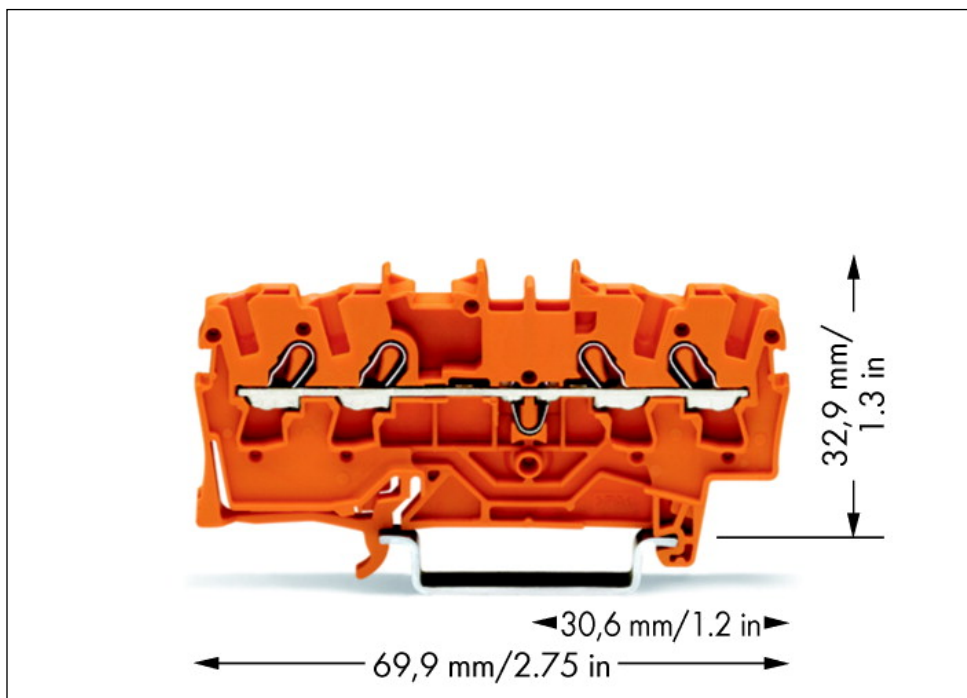
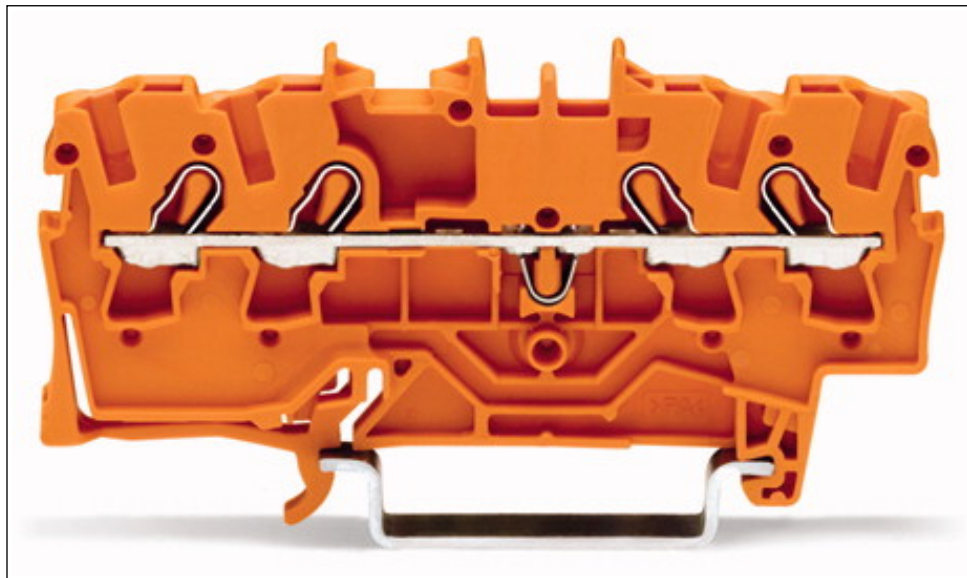
保護兼警告標誌

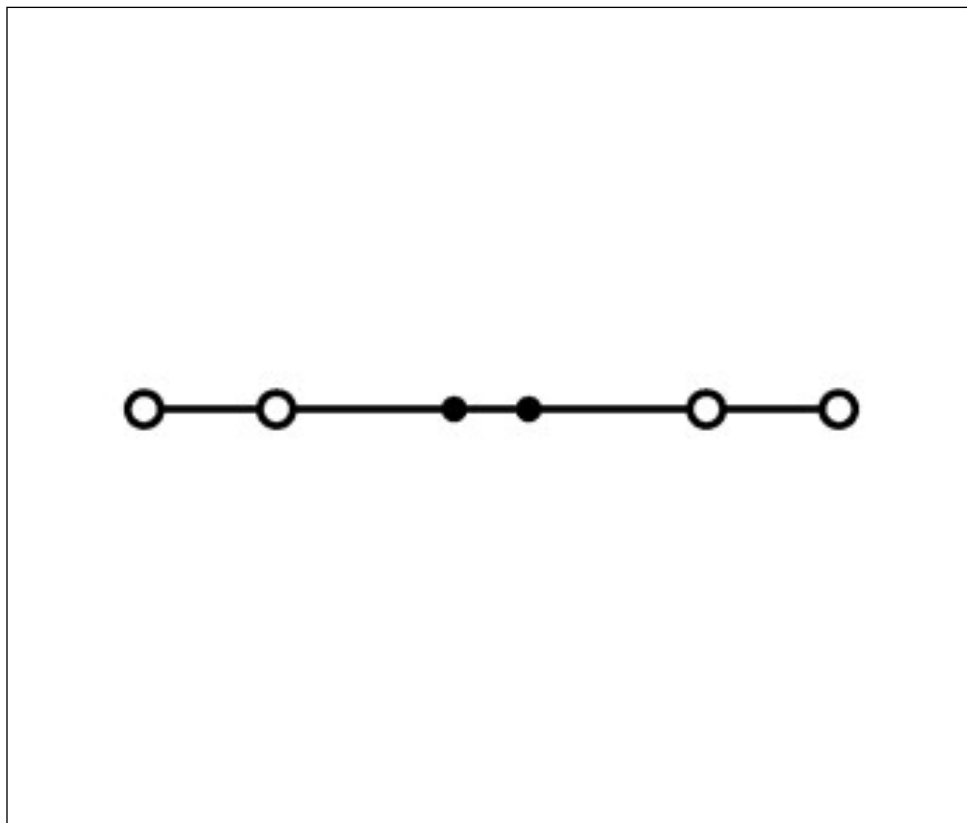
| 產品編號 | 描述 | 包裝單位 (分裝) |
|----------|---|-----------|
| 2002-115 | Protective warning marker; with high-voltage symbol, black; for 5 terminal blocks | 25 |

一般附件

| 產品編號 | 描述 | 包裝單位 (分裝) |
|------------------|---|-----------|
| 2002-116 | Multi-purpose operating tool; for component plugs | 5 |
| 2002-511 | Modular TOPJOB@S connector; modular; for jumper contact slot; 1-pole | 25 |
| 2002-549 | Spacer module; modular; e.g., for bridging commoned terminal blocks | 25 |
| 2002-552 | TOPJOB@S connector strip; for jumper contact slot; 2-pole | 25 |
| 2002-553 | TOPJOB@S connector strip; for jumper contact slot; 3-pole | 25 |
| 2002-554 | TOPJOB@S connector strip; for jumper contact slot; 4-pole | 25 |
| 2002-555 | TOPJOB@S connector strip; for jumper contact slot; 5-pole | 10 |
| 2002-556 | TOPJOB@S connector strip; for jumper contact slot; 6-pole | 10 |
| 2002-557 | TOPJOB@S connector strip; for jumper contact slot; 7-pole | 10 |
| 2002-558 | TOPJOB@S connector strip; for jumper contact slot; 8-pole | 10 |
| 2002-559 | TOPJOB@S connector strip; for jumper contact slot; 9-pole | 10 |
| 2002-560 | TOPJOB@S connector strip; for jumper contact slot; 10-pole | 10 |
| 2009-174 | Test plug adapter; for test plug 4 mm Ø; for testing TOPJOB@S rail-mounted terminal blocks | 25 |
| 2009-182 | Testing tap; for max. 2.5 mm ² ; tool-free connection for individual test wires 0.08 - 2.5 mm ² | 25 |
| 2009-191 | TOPJOB@S group marker carrier; snap-on type for jumper slot; 5 mm wide | 25 |
| 2009-192 | TOPJOB@S group marker carrier; snap-on type for jumper slot; 10 mm wide | 25 |
| 2009-193 | TOPJOB@S group marker carrier; snap-on type for jumper slot; 15 mm wide | 25 |
| 210-400/2000-001 | Stickers for operating instructions; for TOPJOB@s rail-mounted terminal blocks; 2001/2002/2004/2006/2010/2016 Series | 1 |

影像和附圖





地址

WAGO Kontakttechnik GmbH & Co. KG

Hansastr. 27

32423 Minden

Telefon: 0571/887-0

Fax: 0571/887-169

<http://www.wago.com>

© WAGO Kontakttechnik GmbH & Co. KG

Technische Änderungen und Irrtümer vorbehalten.