

A large yellow arrow pointing to the right, with a slight shadow effect, serving as a background for the text.

PIT m3.3p

Operator terminals

The Piltz logo, consisting of the word "piltz" in a lowercase, bold, sans-serif font. The "p" is significantly larger than the other letters, and the "i" has a dot above it.

This document is the original document.

All rights to this documentation are reserved by Pilz GmbH & Co. KG. Copies may be made for internal purposes. Suggestions and comments for improving this documentation will be gratefully received.

Pilz®, PIT®, PMI®, PNOZ®, Primo®, PSEN®, PSS®, PVIS®, SafetyBUS p®, SafetyEYE®, SafetyNET p®, the spirit of safety® are registered and protected trademarks of Pilz GmbH & Co. KG in some countries.



SD means Secure Digital

Section 1	Introduction	5
	1.1	Validity of documentation 5
	1.1.1	Retaining the documentation 5
	1.2	Definition of symbols 6
Section 2	Overview	7
	2.1	Features of the operating mode selector switch 8
	2.2	Features of the transponder key 9
	2.3	Control elements 10
Section 3	Safety	12
	3.1	Intended use 12
	3.2	Safety regulations 13
	3.2.1	Use of qualified personnel 13
	3.2.2	Warranty and liability 13
	3.2.3	Disposal 13
Section 4	Function description	14
	4.1	Interface for status information 16
	4.1.1	Timing diagrams for operator actions 18
	4.1.2	Timing diagram for device error 20
	4.1.3	Timing diagrams for user error: "No authorisation" 21
	4.1.4	Timing diagrams for user error: "Button operated incorrectly" 23
	4.2	Operating mode interface 25
	4.2.1	Switch behaviour after a transponder key is removed 25
	4.2.2	Control program requirements 27
	4.3	Key ID interface 28
	4.3.1	Key ID number of the transponder key 28
	4.3.2	Communication mode for downloading the Key ID number 30
	4.3.2.1	Transmitter-controlled communication mode 30
	4.3.2.2	Handshake-controlled communication mode 31
	4.3.3	Evaluation by a control system 32
	4.3.3.1	Evaluation of the Key ID number with transmitter-controlled communication 32
	4.3.3.2	Evaluation of the Key ID number with handshake-controlled communication 35
Section 5	Installation	39
	5.1	General installation guidelines 39
	5.2	Dimensions 40
	5.3	Mounting cutout 41
Section 6	Wiring	42
	6.1	Terminal configuration 42
	6.2	Connecting the unit 43
	6.3	Connection to a control system 44
Section 7	Operation	47
	7.1	Select operating modes OM1/OM2 48

7.2	Select special mode (service)	49
7.3	Monitoring of operating time	50
7.4	Switchover delay t1	50
7.5	Troubleshooting	51
7.6	Diagnostics	52
7.6.1	Status information about the interface for status information	52
7.6.2	Status information about button backlighting	52
7.6.3	Status information about authorisation display	53
Section 8	Technical details	54
8.1	Safety characteristic data	56
Section 9	Order reference	57
9.1	Product	57
9.2	Accessories	57

1 Introduction

1.1 Validity of documentation

This operating manual explains the function and operation, describes the installation and provides guidelines on how to connect the product.

This documentation is valid for the product PIT m3.3p. It is valid until new documentation is published.

1.1.1 Retaining the documentation

This documentation is intended for instruction and should be retained for future reference.

1.2 Definition of symbols

Information that is particularly important is identified as follows:



DANGER!

This warning must be heeded! It warns of a hazardous situation that poses an immediate threat of serious injury and death and indicates preventive measures that can be taken.



WARNING!

This warning must be heeded! It warns of a hazardous situation that could lead to serious injury and death and indicates preventive measures that can be taken.



CAUTION!

This refers to a hazard that can lead to a less serious or minor injury plus material damage, and also provides information on preventive measures that can be taken.



NOTICE

This describes a situation in which the product or devices could be damaged and also provides information on preventive measures that can be taken. It also highlights areas within the text that are of particular importance.



INFORMATION

This gives advice on applications and provides information on special features.

2 Overview

The operating mode selector switch may only be operated in conjunction with a transponder key. 3 transponder keys are available, each with different authorisations.

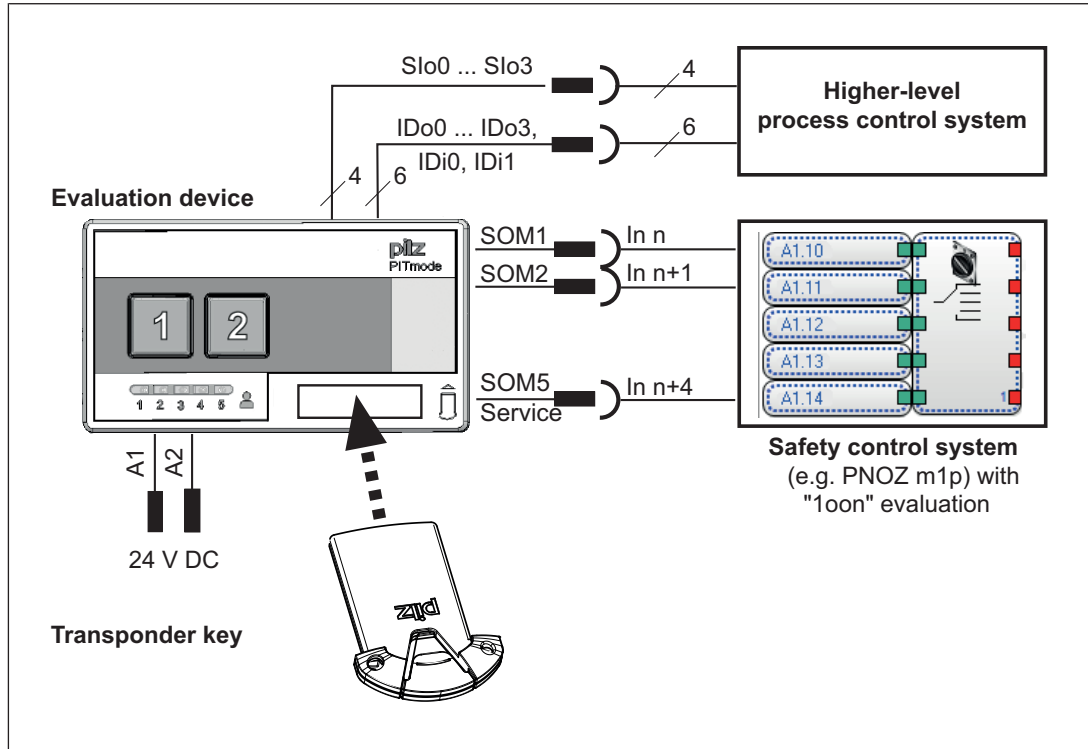


Fig.: Operating mode selector switch in an application (principle)

2.1 Features of the operating mode selector switch

The product has the following features:

- ▶ Supply voltage 24 VDC
- ▶ 2 buttons for switching the operating mode
- ▶ Selected operating mode is displayed through button backlighting
- ▶ 2 operating modes OM1 and OM2
- ▶ 1 special mode OM5 (Service)
- ▶ 3 monitored semiconductor outputs (24 V) in accordance with EN 61496-1;
1 semiconductor output per operating mode
- ▶ Interface for status information, consisting of 4 signal outputs (24 V)
- ▶ Status information is divided into information classes:
 - Operator actions
 - Select transponder key
 - Remove transponder key
 - Select operating mode
 - Messages (e.g. user error, fault)
- ▶ Interface (Key ID interface) for downloading the Key ID number of the transponder key you are using, consisting of
 - 4 semiconductor outputs (24 V)
 - 2 inputs
- ▶ Configurable communication mode for downloading the Key ID number
 - Transmitter-controlled communication mode
 - Handshake-controlled communication mode
- ▶ Authorisations of a transponder key are displayed via LEDs

2.2 Features of the transponder key

A transponder key contains a Key ID number and the authorisations to which you can switch with that transponder key.

Features:

- ▶ Replaces the mechanical key
- ▶ Different authorisations
- ▶ Authorisations are identified via printed "Key Mode".

2.3 Control elements

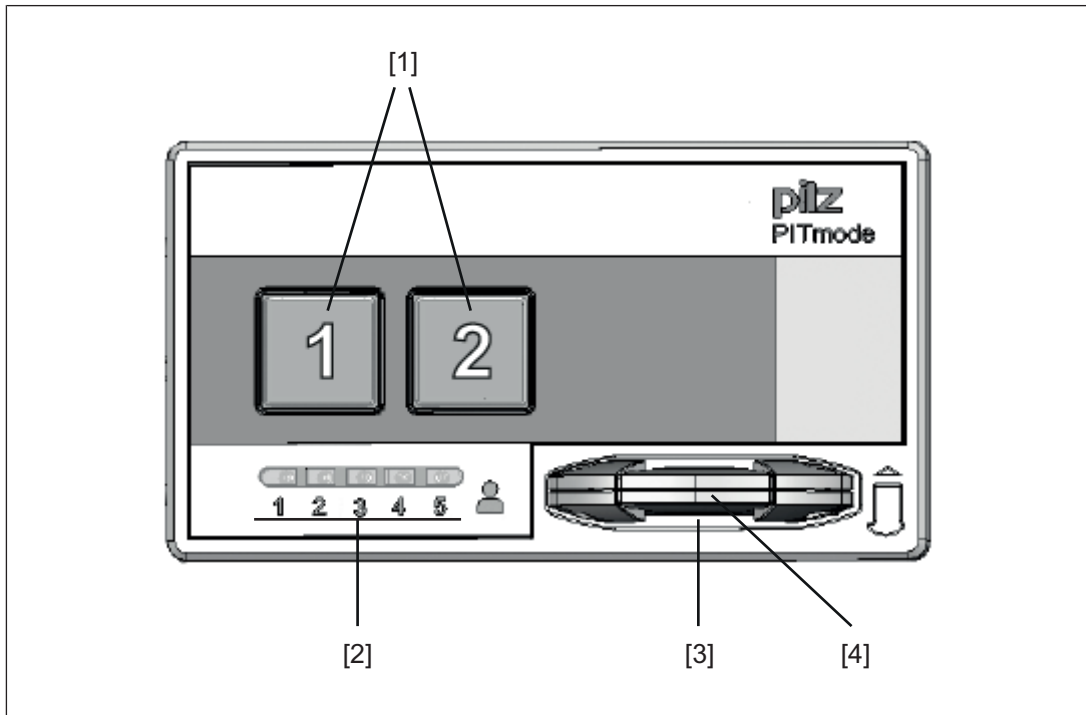


Fig.: Front view

Legend:

- [1] Button to select an operating mode
 - 1 Button for OM1/OM5
 - 2 Button for OM2
- [2] Authorisation display – LEDs to display the authorisations for the relevant transponder key
 - 1 Authorisation for OM1
 - 2 Authorisation for OM2
 - 3 *No function*
 - 4 *No function*
 - 5 Authorisation for OM5
- [3] Slot for inserting the transponder key
- [4] Transponder key

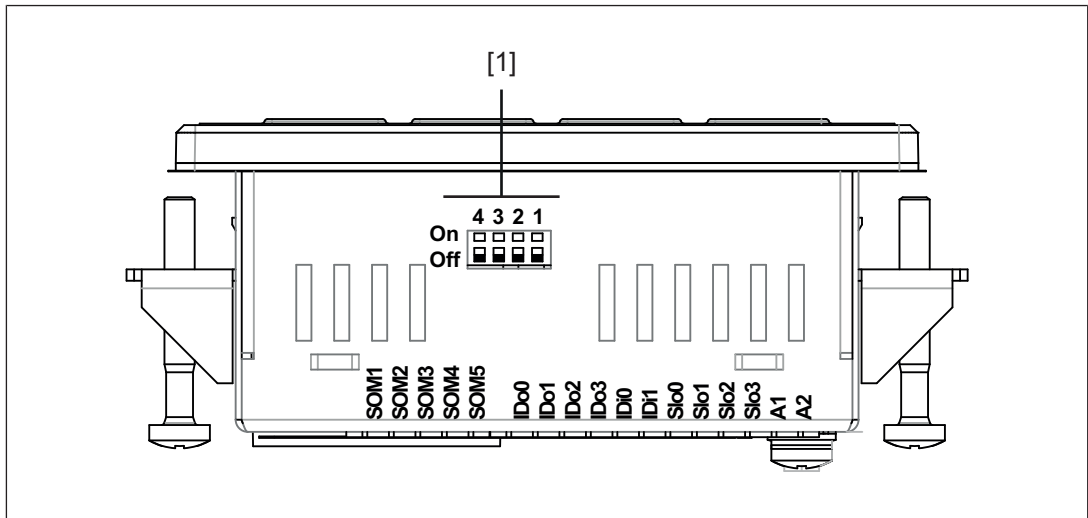


Fig.: View from above

Legend:

- [1] DIP switch for configuring the switching behaviour after the transponder key has been removed

3 Safety

3.1 Intended use

The operating mode selector switch is suitable for machines that can be operated in multiple operating modes with different protective measures and/or work procedures. It enables you to switch between defined operating modes, such as:

- ▶ Set-up mode
- ▶ Manual mode
- ▶ Automatic mode
- ▶ Service

The operating mode selector switch meets the following safety requirements:

- ▶ Interlock to protect against unauthorised switching
Contact with a transponder key is required in order to switch to an operating mode.
- ▶ Access authorisations are restricted to certain groups
A transponder key with the relevant authorisation is required in order to switch to a certain operating mode.
- ▶ Prevents unintentional switching
The switch to a different operating mode is only recognised once the corresponding (selection) pushbutton has been operated for a defined period ("deliberate operator action"). Multiple operation of (selection) pushbuttons is detected.
- ▶ Safe "1 from n" circuit of the operating mode outputs
The operating mode selector switch only ever leads to one operating mode output "1" signal.

Depending on the application area and its respective regulations, the operating mode selector switch can be used up to SIL CL 2 (EN IEC 62061) and up to PL d (EN ISO 13849-1), if the operating modes are evaluated by a safety control system with safe "1oon" evaluation.

Switching must not initiate a hazardous movement, nor can it cancel an existing control command.

3.2 Safety regulations

3.2.1 Use of qualified personnel

The products may only be assembled, installed, programmed, commissioned, operated, maintained and decommissioned by competent persons.

A competent person is someone who, because of their training, experience and current professional activity, has the specialist knowledge required to test, assess and operate the work equipment, devices, systems, plant and machinery in accordance with the general standards and guidelines for safety technology.

It is the company's responsibility only to employ personnel who:

- ▶ Are familiar with the basic regulations concerning health and safety / accident prevention
- ▶ Have read and understood the information provided in this description under "Safety"
- ▶ And have a good knowledge of the generic and specialist standards applicable to the specific application.

3.2.2 Warranty and liability

All claims to warranty and liability will be rendered invalid if

- ▶ The product was used contrary to the purpose for which it is intended
- ▶ Damage can be attributed to not having followed the guidelines in the manual
- ▶ Operating personnel are not suitably qualified
- ▶ Any type of modification has been made (e.g. exchanging components on the PCB boards, soldering work etc.).

3.2.3 Disposal

- ▶ In safety-related applications, please comply with the mission time t_M in the safety-related characteristic data.
- ▶ When decommissioning, please comply with local regulations regarding the disposal of electronic devices (e.g. Electrical and Electronic Equipment Act).

4 Function description

The operating mode selector switch enables you to switch between 3 different operating modes (operating modes OM1, OM2 and special operating mode OM5 (Service)).

One button each is available for OM1 and OM2. For the special operating mode OM5 (Service), the button for OM1 must be operated for a certain time period (see [Monitoring of operating time](#) [50]). Each button is assigned a monitored semiconductor output. Operating the button changes the semiconductor output from a "0" signal to a "1" signal. The operating mode selector switch guarantees that only one of the semiconductor outputs has a "1" signal at any one time.

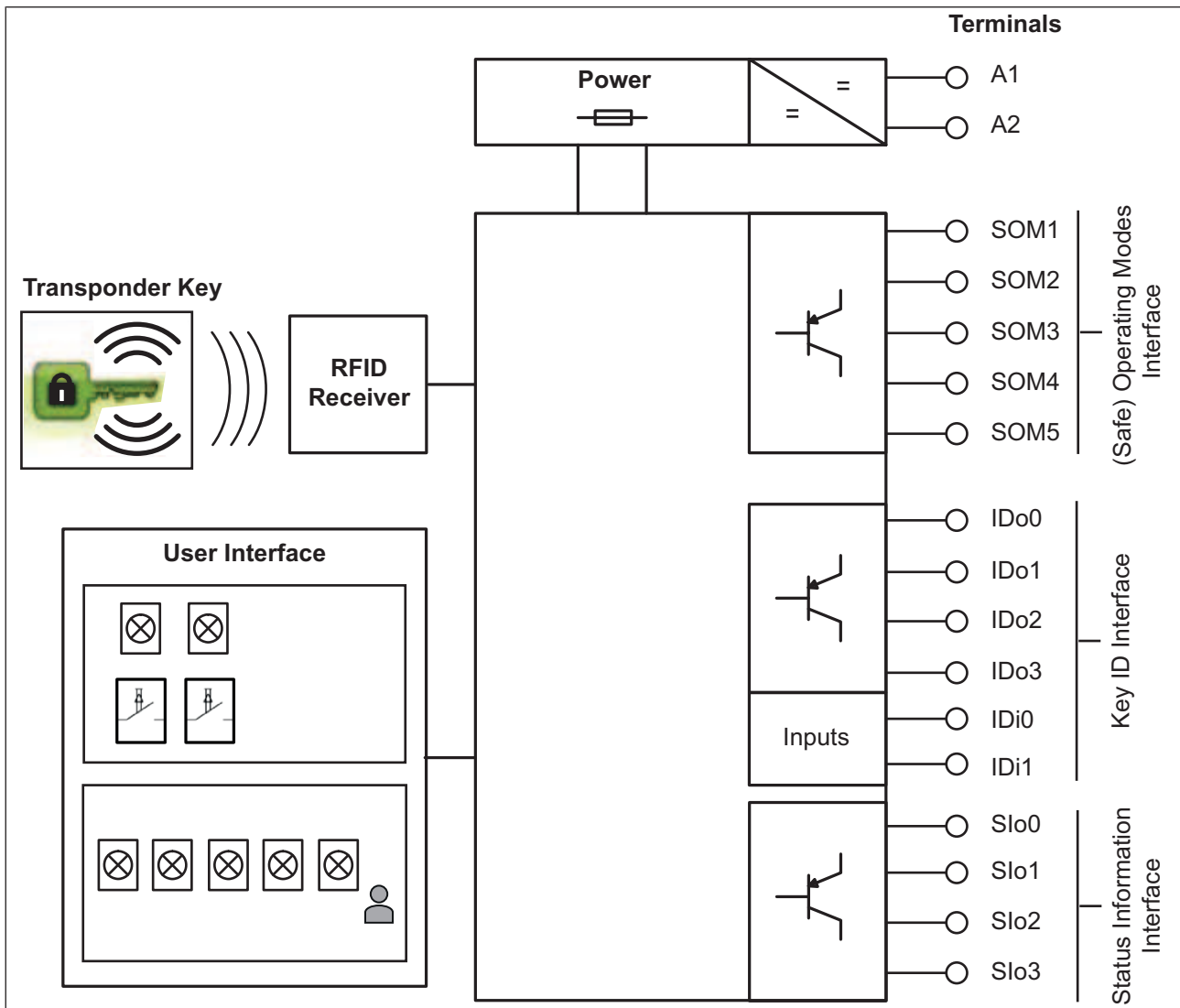


Fig.: Block diagram

Legend:

Transponder Key
User Interface

- Electronic key to enable a change of operating mode
- ▶ Button to select the operating mode
 - ▶ Authorisation display (LEDs to display the authorisations for the relevant transponder key)

A1, A2	Supply voltage
SOM1 ... SOM5	Operating mode interface Interface for displaying the selected operating mode SOM1 Monitored output for OM1 SOM2 Monitored output for OM2 <i>SOM3 No function</i> <i>SOM4 No function</i> SOM5 Monitored output for OM5 (Service)
IDo0 ... IDo3 and IDi0 ... IDi1	Key ID interface Interface for downloading the Key ID number to a control system, consists of 4 outputs and 2 inputs
Slo0 ... Slo3	Interface for status information Interface for providing status information; consists of 4 signal outputs

The operating mode selector switch is protected against unauthorised operation. A switch between operating modes must be enabled via a transponder key.

Authorisations of a transponder key

A total of 3 transponder keys are available for an operating mode selector switch. Each transponder key provides authorisation to switch up to 3 operating modes, including special authorisations. A transponder key can be identified via the printed key mode.

Assignment of key modes to authorisations

Designation	Marking on transponder key	Authorisation for operating mode
Key Mode 01	1	OM1
Key Mode 02	2	OM1+ OM2
Key Service	Service	OM1+ OM2 + OM5 (Service)

4.1 Interface for status information

Various status information can be signalled via the interface for status information (see [Block diagram \[14\]](#)). The status information can be evaluated through a control system.

The status information is subdivided into the following information classes:

- ▶ Operator actions
 - Insert transponder key
 - Remove transponder key
 - Select operating mode
- ▶ Messages (e.g. user error, fault)



NOTICE

When the operating mode is selected (Slo3 ... Slo0 = 3h, 8h, 9h) and in the event of a device error (Dh), the information remains present indefinitely. All other information stays active for just **200 ms**. After that time the selected operating mode is again displayed.

Status information	Information class	Slo3 (MSB)	Slo2	Slo1	Slo0 (LSB)	Value (in Hex)
Reserved	---	0	0	0	0	0h
Reserved	---	0	0	0	1	1h
Transponder key 5 – Inserted [1]	Operator action	0	0	1	0	2h
OM5 selected	Operator action	0	0	1	1	3h
Transponder key 1 – Inserted [1]	Operator action	0	1	0	0	4h
Transponder key 2 – Inserted [1]	Operator action	0	1	0	1	5h
---	---	0	1	1	0	6h
---	---	0	1	1	1	7h
OM1 selected	Operator action	1	0	0	0	8h
OM2 selected	Operator action	1	0	0	1	9h
---	---	1	0	1	0	Ah
---	---	1	0	1	1	Bh
No authorisation [2]	User error	1	1	0	0	Ch
Device error [3]	Error	1	1	0	1	Dh
Pushbutton operated incorrectly [4]	User error	1	1	1	0	Eh
Transponder key removed	Operator action	1	1	1	1	Fh

[1] When a button is released, information as to which transponder key is used will be displayed for 200 ms (see Status information 2h, 4h and 5h). The selected operating mode is then displayed (see Status information 3h, 8h and 9h).

Please refer to the [Timing diagrams for operator actions](#)  18].

[2] The fault "No authorisation" (Ch) is registered in the following cases:

- ▶ Operating mode selected without transponder key
- ▶ Operating mode selected with a transponder key that is not authorised for the selected operating mode
- ▶ Transponder key is not authorised for the active operating mode
- ▶ Transponder key is not inserted in time or not inserted for long enough after the operating mode is selected

Please refer to the [Timing diagrams for user error: "No authorisation"](#)  21].

[3] "Device error" (Dh) is signalled in the event of an internal device error or when one of the operating mode outputs SOM1... SOM5 are stuck because of external voltage (stuck-at-1 or stuck-at-0).

Remedy:

- ▶ Rectify error, switch supply voltage off and then on again
- ▶ Change the unit

Please refer to the [Timing diagram for device error](#)  20].

[4] The fault "Button operated incorrectly" (Eh) is displayed in the following cases:

- ▶ Multiple operation of pushbuttons
- ▶ Button operated for too long (timeout for OM1/OM4 = 5 s and timeout for OM5 = 10 s)
Note: If a key is operated for < 50 ms this will not be evaluated, so there will be no reaction.
- ▶ Button was released after the transponder key was removed

Please refer to the [Timing diagrams for user error: "Button operated incorrectly"](#)  23].

4.1.1 Timing diagrams for operator actions

The following timing diagrams show how status information is registered at outputs Slo0 ... Slo3, based on operator actions.

Legend:

	Message is displayed constantly
	Message is displayed briefly (200 ms)

Select operating mode

1. Start position:
 - OM1 is selected
 - DIP switch in default setting
2. Operator action: Insert transponder key (e.g. Authorisation Key Mode 02)
3. Operator action: Select operating mode (e.g. Press button "2" for OM2)
4. Operator action: Remove transponder key

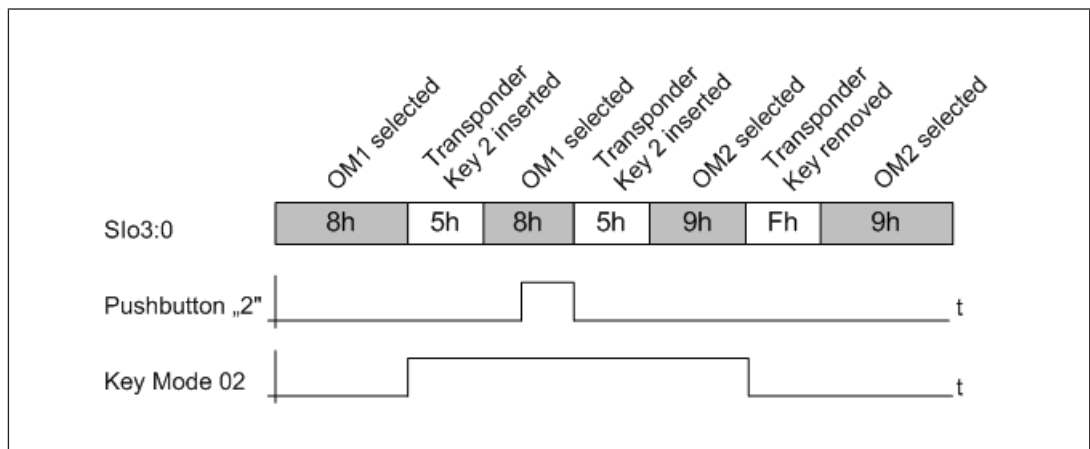


Fig.: Timing diagram for "Select operating mode" with DIP switch setting [1] (default setting)

Remove transponder key

1. Start position:

⇒ OM5 is selected and the transponder key "Key Service" is inserted

or

⇒ One of the operating modes OM1 ... OM2 is selected and a transponder key with the relevant authorisation is inserted

2. Operator action: Remove transponder key

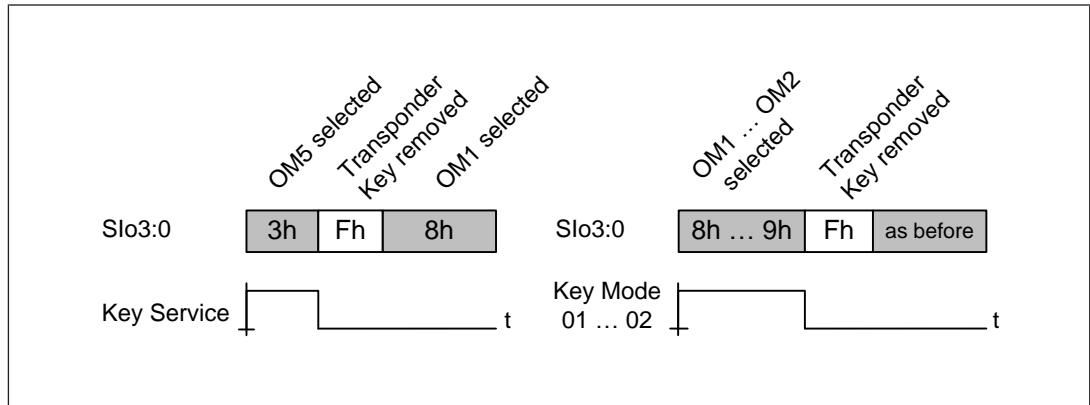


Fig.: Timing diagram for "Remove transponder key" with DIP switch setting [1] (default setting)

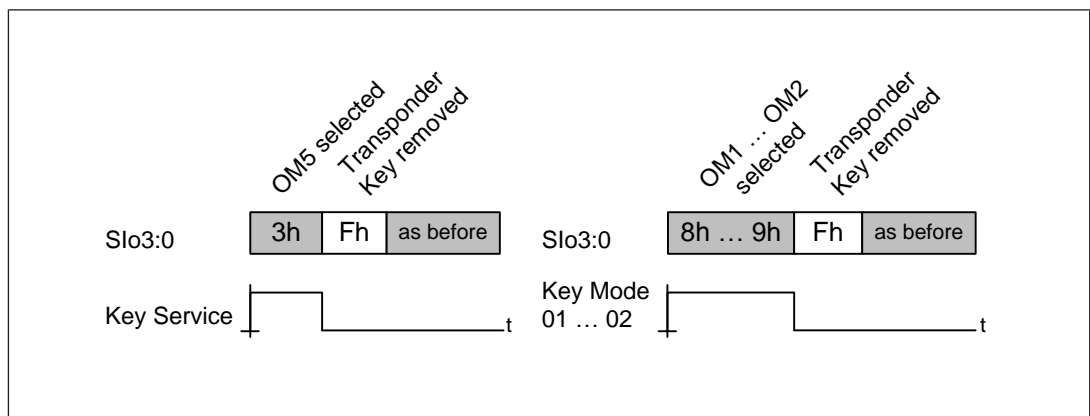


Fig.: Timing diagram for "Remove transponder key" with DIP switch setting [2]

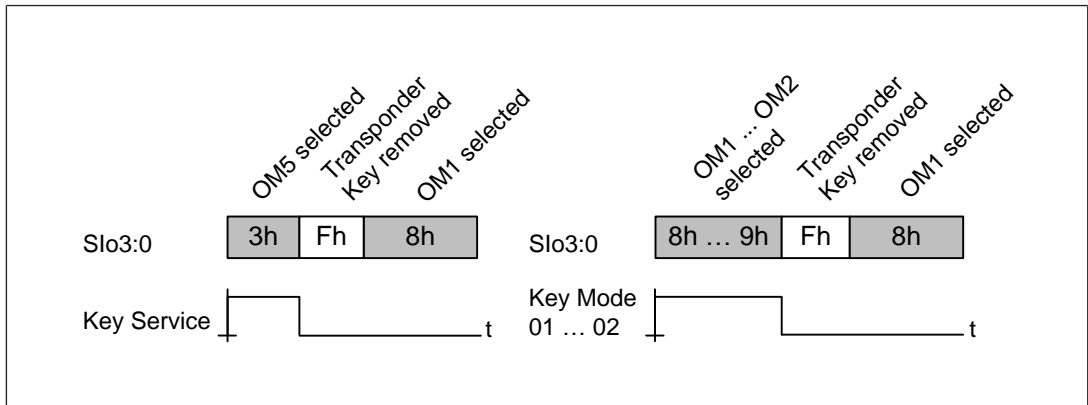


Fig.: Timing diagram for "Remove transponder key" with DIP switch setting [3]

4.1.2 Timing diagram for device error

The following timing diagram shows how status information is registered at outputs Slo0 ... Slo3, based on a device error.

Legend:

	Message is displayed constantly
	Message is displayed briefly (200 ms)

Device error

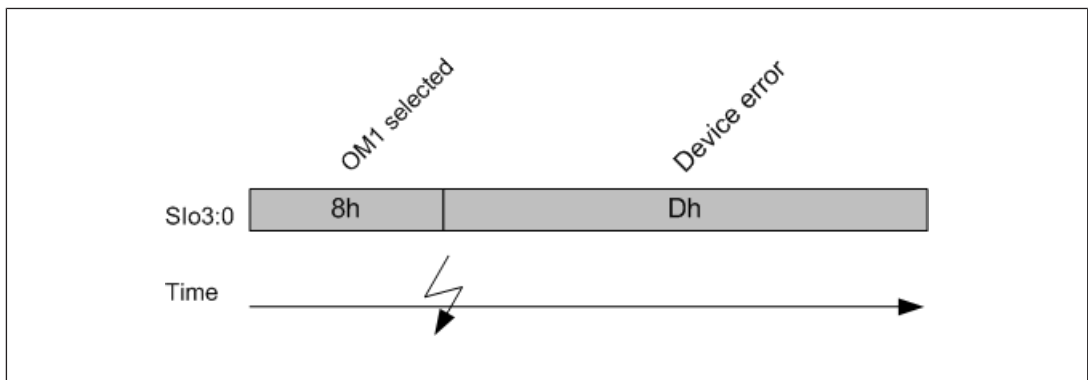


Fig.: Timing diagram in the event of a device error

4.1.3 Timing diagrams for user error: "No authorisation"

The following timing diagram shows how status information is registered at outputs Slo0 ... Slo3, based on the user error "No authorisation".

Legend:

	Message is displayed constantly
	Message is displayed briefly (200 ms)

Operating mode selected without transponder key

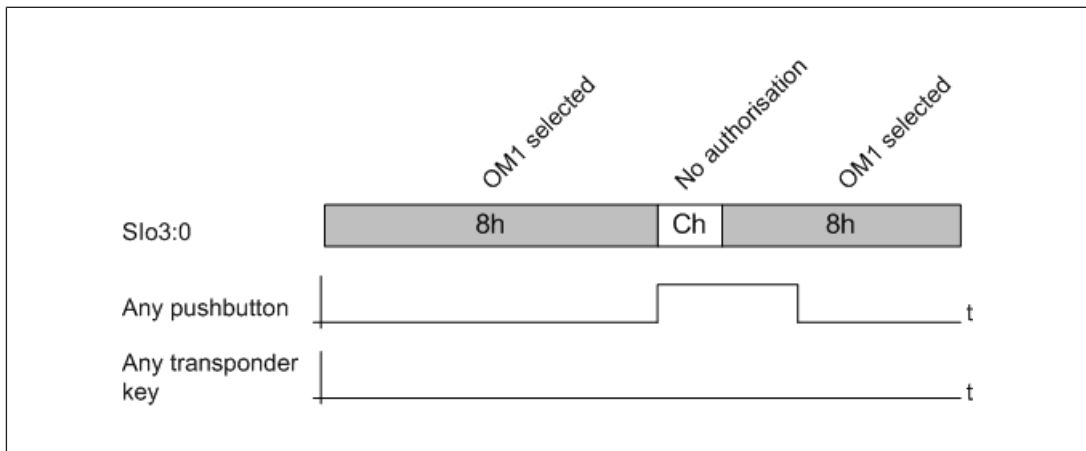


Fig.: Timing diagram for "Operating mode selected without transponder key"

Operating mode selected with a transponder key that is not authorised for the selected operating mode

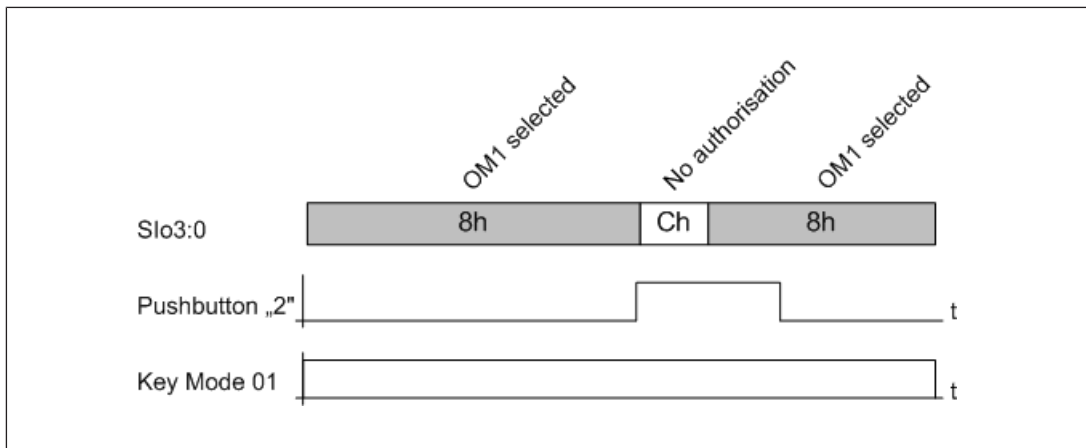


Fig.: Timing diagram for operating mode selection where there is insufficient authorisation for the operating mode requiring selection

Operating mode selected with a transponder key that is not authorised for the active operating mode

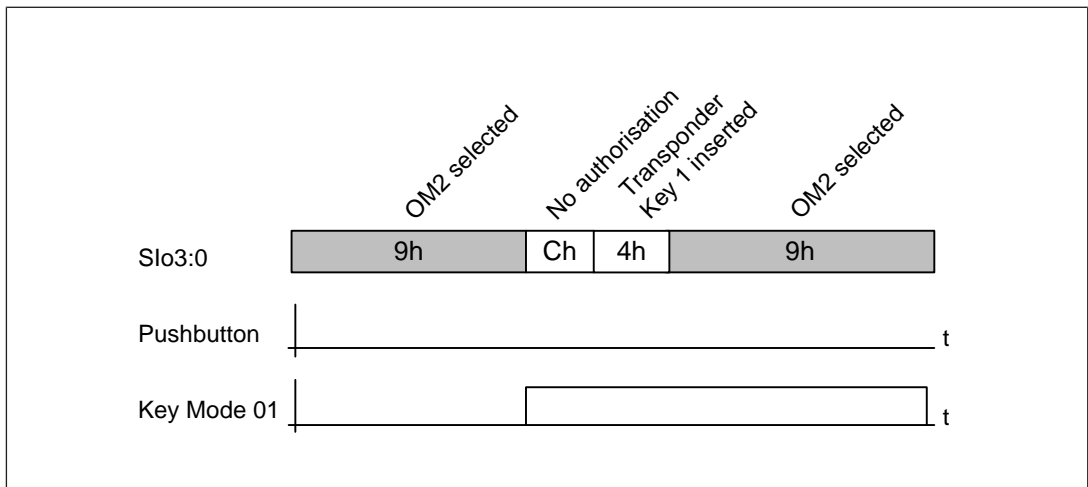


Fig.: Timing diagram for operating mode selection where there is insufficient authorisation for the active operating mode

Transponder key is not inserted in time before the operating mode is selected

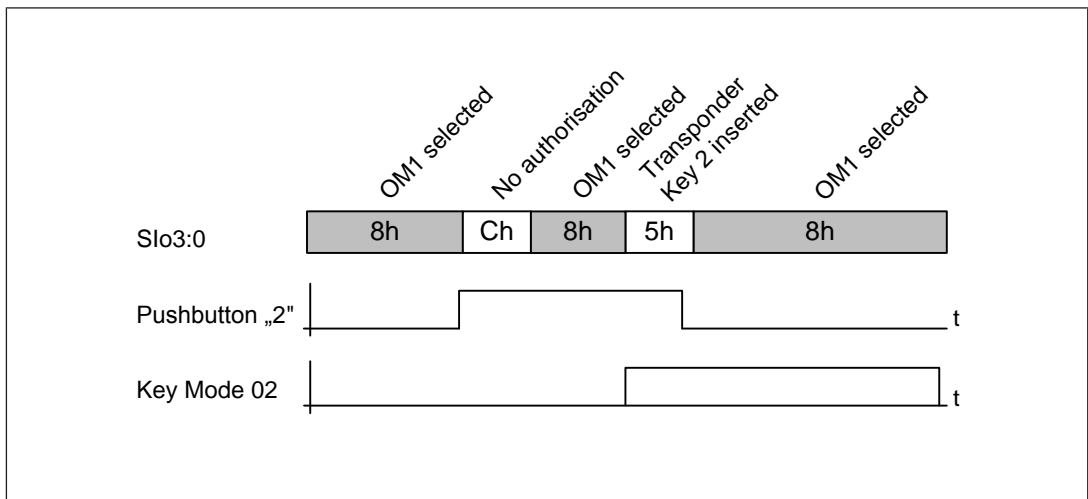


Fig.: Timing diagram for selecting the operating mode before the transponder key is inserted

4.1.4 Timing diagrams for user error: "Button operated incorrectly"

The following timing diagram shows how status information is registered at outputs Slo0 ... Slo3, based on the user error "Button operated incorrectly"

Legend:

	Message is displayed constantly
	Message is displayed briefly (200 ms)

Multiple operation of buttons

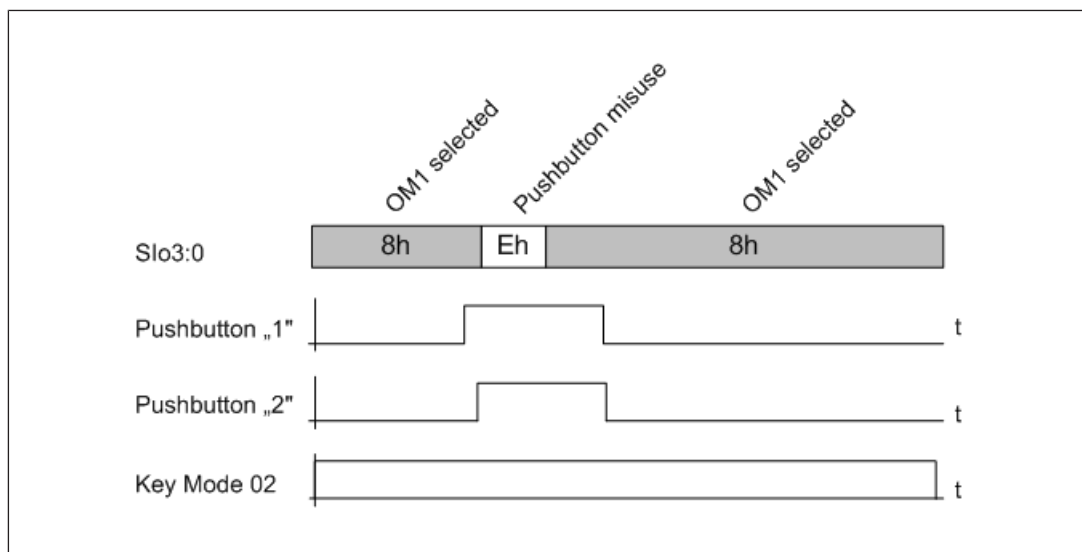


Fig.: Timing diagram for "Multiple operation of buttons"

Button operated for too long

- ▶ "Button operated for too long" with authorisations "Key Mode 01" ... "Key Mode 02"
or
- ▶ "Button operated for too long" with authorisation "Key Service"

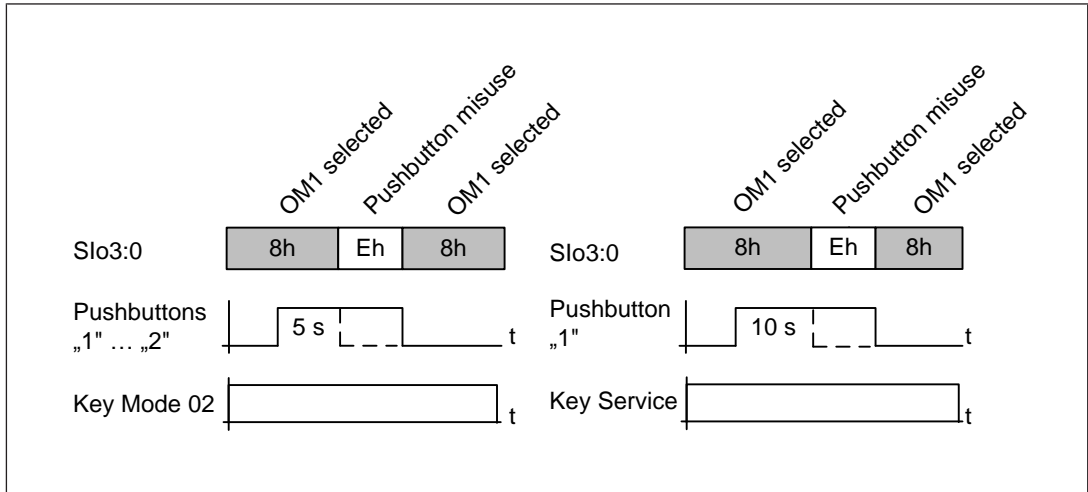


Fig.: Timing diagram for "Button operated for too long"

Button was released after the transponder key was removed

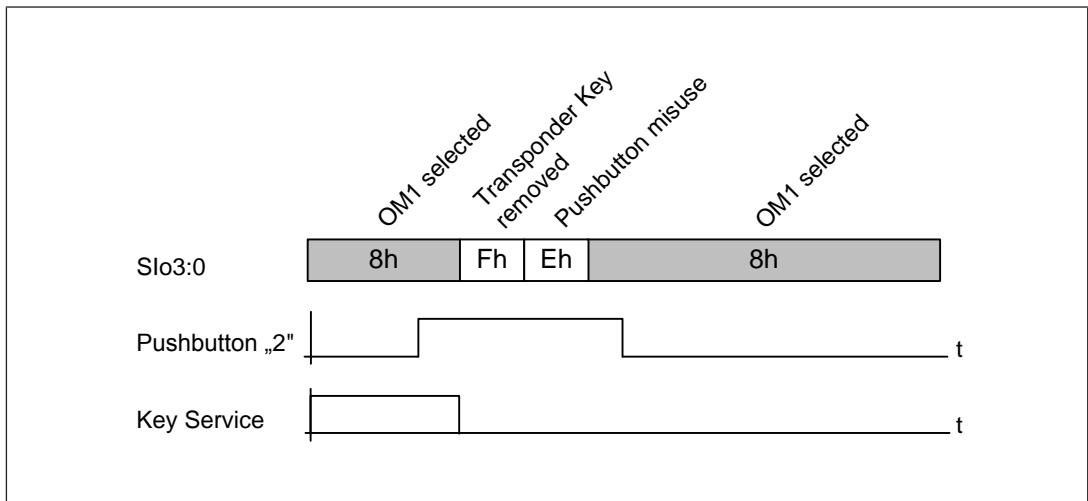


Fig.: Timing diagram for user errors when releasing the button

4.2 Operating mode interface

The operating mode interface consists of the monitored outputs SOM1, SOM2 and SOM5 (see [Block diagram \[14\]](#)). "SOM" stands for "Safe Operating Mode". The outputs are assigned to buttons, which can be used to select an operating mode if they have the relevant authorisation (transponder key):

Button	Output	Operating mode	
1	SOM1	OM1	The operating mode OM1/OM5 is selected based on the operating time of button 1 (see Monitoring of operating time [50])
	SOM5	OM5	
2	SOM2	OM2	

4.2.1 Switch behaviour after a transponder key is removed

If the transponder key is removed after changing to a different operating mode, it is possible to configure the subsequent switch behaviour of SOM1 ... SOM5. A DIP switch is available for this purpose (see [Control elements \[10\]](#)).



NOTICE

Please note the following:

- The configuration may only be performed by a competent person.
- The configuration must be performed when the supply voltage is switched off.
- The configuration is adopted as the device is started up, provided the switch setting is valid. If not, the device switches to a "Device error" fault condition.
- During operation, the DIP switch setting is monitored for any change. If the switch setting is changed during operation, the device switches to a "Device error" fault condition.

Configuration options via the DIP switch

DIP switch setting	Operating mode currently selected	Assigned output	Behaviour after the transponder key is removed
[1]: Default setting 	OM1	SOM1	<ul style="list-style-type: none"> ▶ Operating mode currently selected is maintained ▶ The assigned button is backlit. ▶ The assigned output has a "1" signal
	OM2	SOM2	
	OM5	SOM5	
[2] 	OM1	SOM1	<ul style="list-style-type: none"> ▶ Operating mode currently selected is maintained ▶ OM1/OM2: The assigned button is backlit. ▶ OM5: Both buttons flash. ▶ The assigned output has a "1" signal
	OM2	SOM2	
	OM5	SOM5	
[3] 	OM1	SOM1	<ul style="list-style-type: none"> ▶ Switch to OM1 ▶ Button 1 is backlit ▶ SOM1 has a "1" signal
	OM2	SOM2	
	OM5	SOM5	



NOTICE

Make **absolutely** sure that only the DIP switch settings described above are assessed as valid. With all other DIP switch settings, the device switches to a "Device error" fault condition.


4.2.2 Control program requirements

In order to achieve SIL CL 2 (EN IEC 62061)/PL d (EN ISO 13849-1) in an application, the evaluation must be carried out by a safety-related function block. The safety-related function block must meet the following requirements:

- ▶ The function block must enable safe "1oon" evaluation of the output signals at SOM1 ... SOM5.
- ▶ If two or more operating modes are present at the same time, this must be detected as an error.



INFORMATION

The function block must bridge the t1 switchover delay (see [Switchover delay t1](#) [ 50]).

If a PNOZmulti (e.g. PNOZ m1p) is used as the safety control system in conjunction with an "operating mode selector switch" function element, then this requirement is met automatically.

4.3 Key ID interface

The Key ID interface (see [Block diagram \[14\]](#)) is used to download the Key ID number to a control system.

4.3.1 Key ID number of the transponder key

The Key ID number is used to clearly identify the transponder key and is unique. It is printed on the transponder key's type label as a 9-digit decimal figure.



NOTICE

Please note:

The Key ID number is **not** printed on the transponder key packaging. If the transponder key is lost, it is impossible to supply a replacement transponder key with an identical Key ID number.

The Key ID number consists of two parts:

- ▶ Bit 27 = 24: Key Mode (0 ... 15_D)
- ▶ Bit 23 = 00: Consecutive number (0 ... 999999999_D)

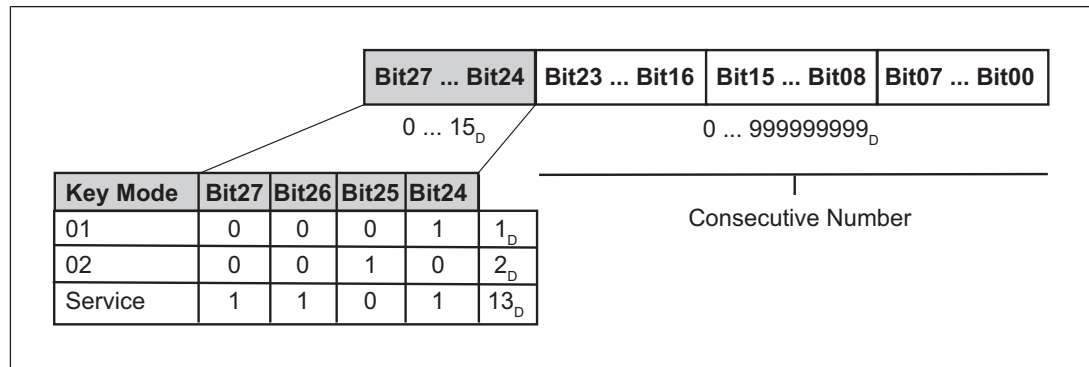
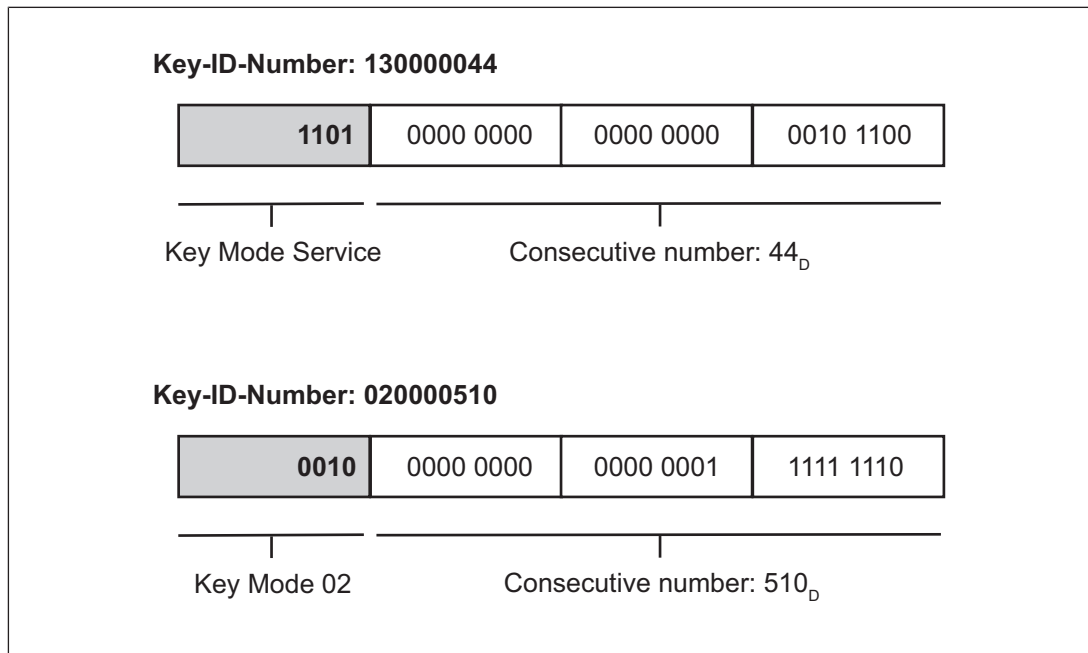


Fig.: Structure of the Key ID number

Examples:



4.3.2 Communication mode for downloading the Key ID number

The unique Key ID number for the relevant transponder key is downloaded to the higher-level process control system using a defined protocol, depending on the configured communication mode. The communication mode is configured on the Key ID interface of the operating mode selector switch (jumpers available/not available).

The operating mode selector switch detects the configured communication mode at each power-on. As long as voltage is applied to the operating mode selector switch, the configured communication mode will be active; the change in communication mode does not come into effect until the supply voltage is switched off and then on again.

It's possible to choose between the following communication modes:

- ▶ Transmitter-controlled communication mode
- ▶ Handshake-controlled communication mode

4.3.2.1 Transmitter-controlled communication mode

With transmitter-controlled communication mode, the download of the Key ID number is started by the operating mode selector switch (= transmitter).

Features of this communication mode:

- ▶ Download of Key ID number starts once the transponder key is connected
- ▶ Constant bit rate (100 ms)
- ▶ Download on 2 data lines
- ▶ Constant download time (typ. 1.8 s)
- ▶ Monitored data download
- ▶ Input/outputs required on the control system: 4 inputs and 2 outputs
- ▶ Download is repeated by reconnecting the transponder key

No special coding is required on the Key ID interface in order to download the Key ID number of a transponder key to the control system in transmitter-controlled communication mode. The terminals on the Key ID interface are used as follows:

Key ID interface	Brief description of application	Coding via jumpers
IDo0	IDsync	No configuration required
IDo1	IDclock	
IDo2	IDout0	
IDo3	IDout1	
IDi0	IDin0	
IDi1	IDin1	


4.3.2.2 Handshake-controlled communication mode

With handshake-controlled communication mode, the download of the Key ID number is started by the control system (Request).

Features of this communication mode:

- ▶ Download starts via a request to the control system, once the transponder key is connected
- ▶ Download is repeated by a renewed request to the control system
- ▶ Variable bit rate (min. 2 PLC cycles per bit)
- ▶ Download on 1 data line
- ▶ Typical download time: 28 Bit * (20 ms + 4 * PLC cycle)
- ▶ Identifier for ID end for feasibility check
- ▶ Input/outputs required on the control system: 3 inputs and 1 output

The Key ID interface must be coded with a jumper between IDo3 and IDi1 in order to download the Key ID number of a transponder key to the control system in handshake-controlled communication mode. The terminals on the Key ID interface are used as follows:

Key ID interface	Brief description of application	Coding via jumpers
IDo0	IDsync	
IDo1	IDresponse	
IDo2	IDdata	
IDo3	<i>Coding: OUT</i>	
IDi0	IDrequest	
IDi1	<i>Coding: IN</i>	

In handshake-controlled communication mode, the operating mode selector switch can be operated in a functional variant. In this case the Key ID number of the transponder key is not downloaded to the control system. The control system is only used to evaluate IDo0 on the Key ID interface. In this case IDo0 is used as a signal output, enabling the control system to recognise whether the transponder key is valid/invalid. With this functional variant, only 1 input is required on the control system. The unused terminals on the Key ID interface (IDo1, IDo2 and IDi0) may remain unwired ("open").

4.3.3 Evaluation by a control system

4.3.3.1 Evaluation of the Key ID number with transmitter-controlled communication

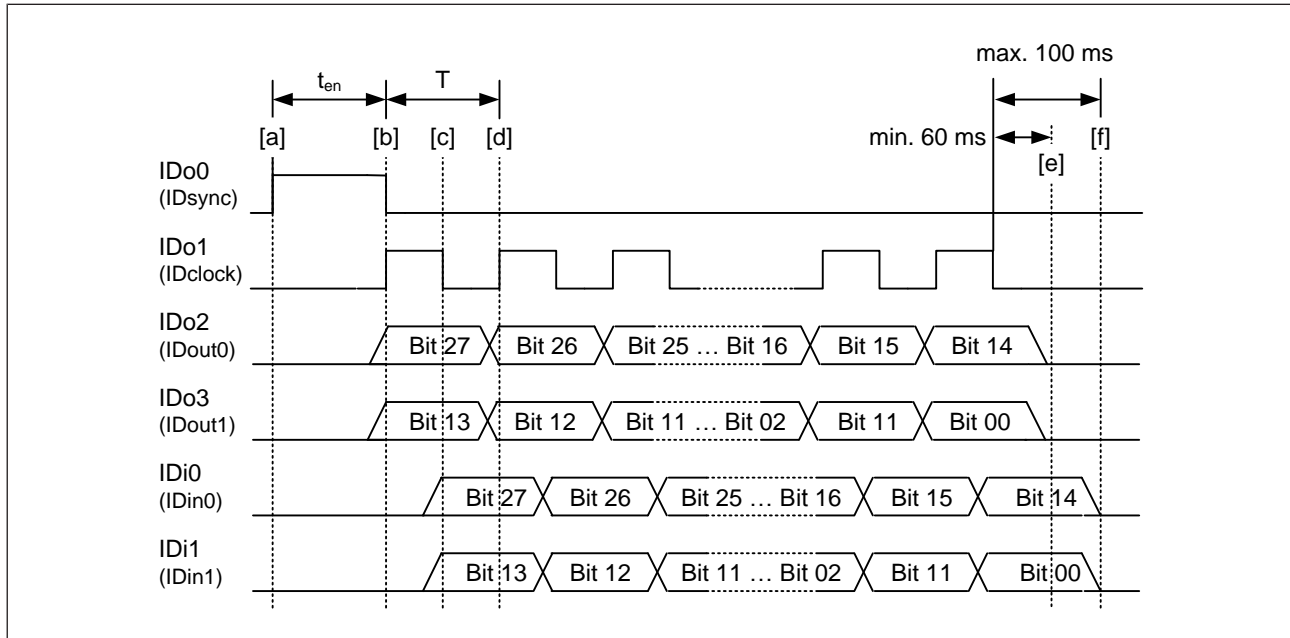


Fig.: Timing diagram for transmitter-controlled signal download

Legend:

The additional terminal designations (IDsync, IDclock, IDout0 etc.) are abbreviations for the terminal signal's application.

IDo0	Control line The signal is generated by the operating mode selector switch.
"0" signal	No transponder key is connected or the transponder key that is connected is invalid.
"1" signal	A valid transponder key is created. The operating mode selector switch signals to the control system when the download starts. The signal is present for 100 ms.
IDo1	Test pulse line The signal is generated by the operating mode selector switch and indicates the validity of the data bits at IDo2 and IDo3.
	<ul style="list-style-type: none"> ▶ T = 100 ms ▶ Duty cycle = 50%
IDo2, IDo3	Data lines for transmitting the Key ID number The operating mode selector switch sends the Key ID number to the control system via these two data lines.
	IDo2: Send Bit 27 ... Bit 14
	IDo3: Send Bit 13 ... Bit 00
IDi0, IDi1	Data line for reading back the Key ID number The control system sends the previously received Key ID number back to the operating mode selector switch via these two data lines.
	IDi0: Receive Bit 27 ... Bit 14
	IDi1: Receive Bit 13 ... Bit 00

Download procedure

- [a] The operating mode selector switch sets the signal at IDo0 (IDsync: control line) to "1" for 100 ms, thereby signalling to the control system that transmission has started.
- [b] A rising edge at IDo1 (IDclock: test pulse line) indicates that the data at data lines IDo2 and IDo3 is present and valid and can be read by the control system.
- [c] By the time there is a falling edge at IDo1 (IDclock: test pulse line), the control system must have sent the previously read bit back to the operating mode selector switch via the data lines IDi0 and IDi1.
- [d] Before the rising edge at IDo1 (IDclock: test pulse line), the operating mode selector switch reads the bits sent back to IDi0 and IDi1 by the control system and checks it for equivalence.
- [e] At least 60 ms after the falling edge at IDo1 (IDclock: test pulse line), the last bit sent back by the control system must be present at data lines IDi0 and IDi1.
- [f] A maximum of 100 ms after the falling edge at IDo1 (IDclock: test pulse line), the last bit sent back by the control system must be present at data lines IDi0 and IDi1; in other words, by this point at the latest, data transfer must be completed and the data lines must have a "0" signal.

**INFORMATION**

If the control system does not feed back the previously read Bits correctly, the download is aborted and restarted. The "IDsync" signal is set once again. The download is repeated until the Key ID number is downloaded completely.

The download of the Key ID number typically takes 1.8 s.

Flowchart for evaluating the Key ID interface

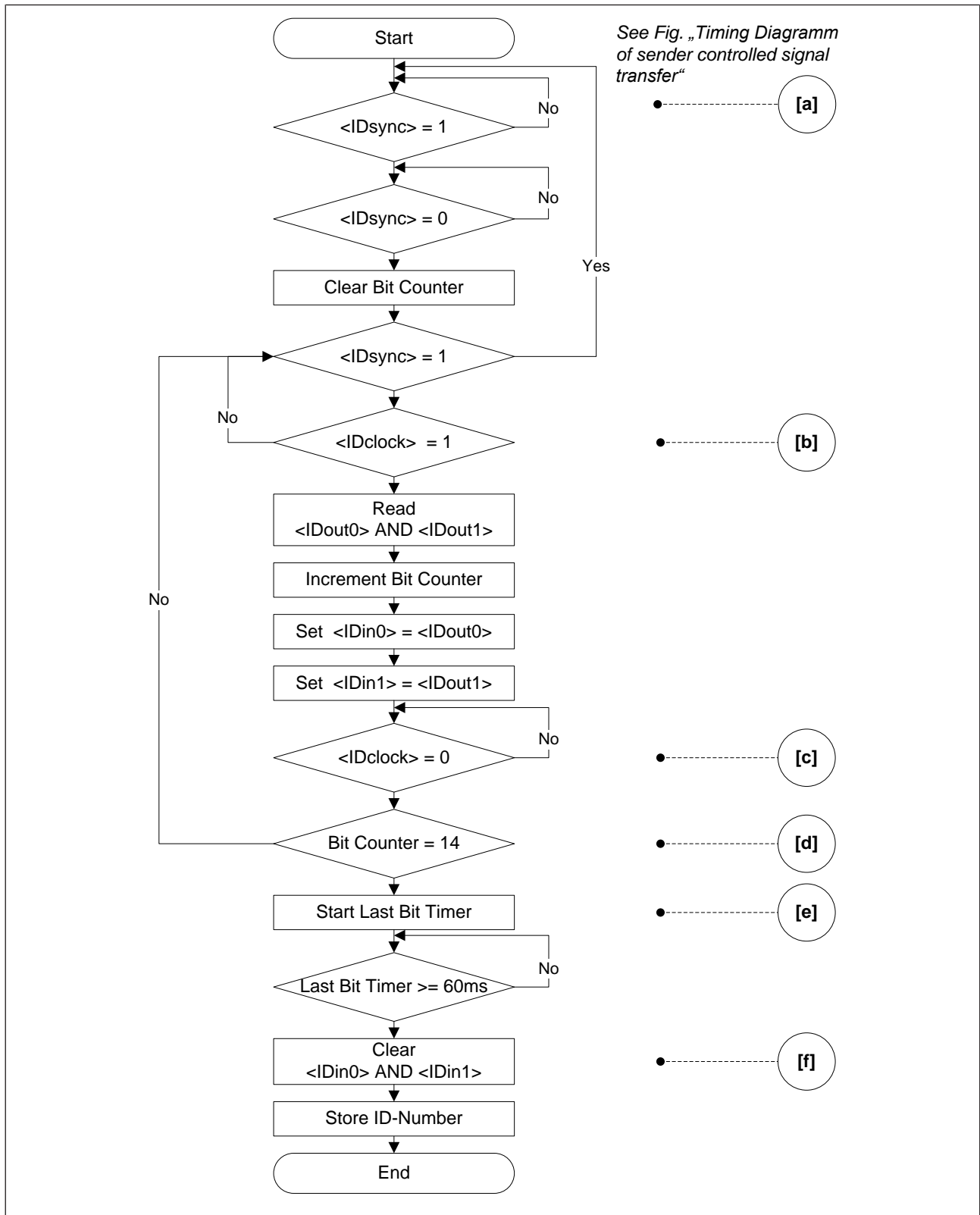


Fig.: Evaluation of the Key ID number via a control system (principle)

4.3.3.2 Evaluation of the Key ID number with handshake-controlled communication

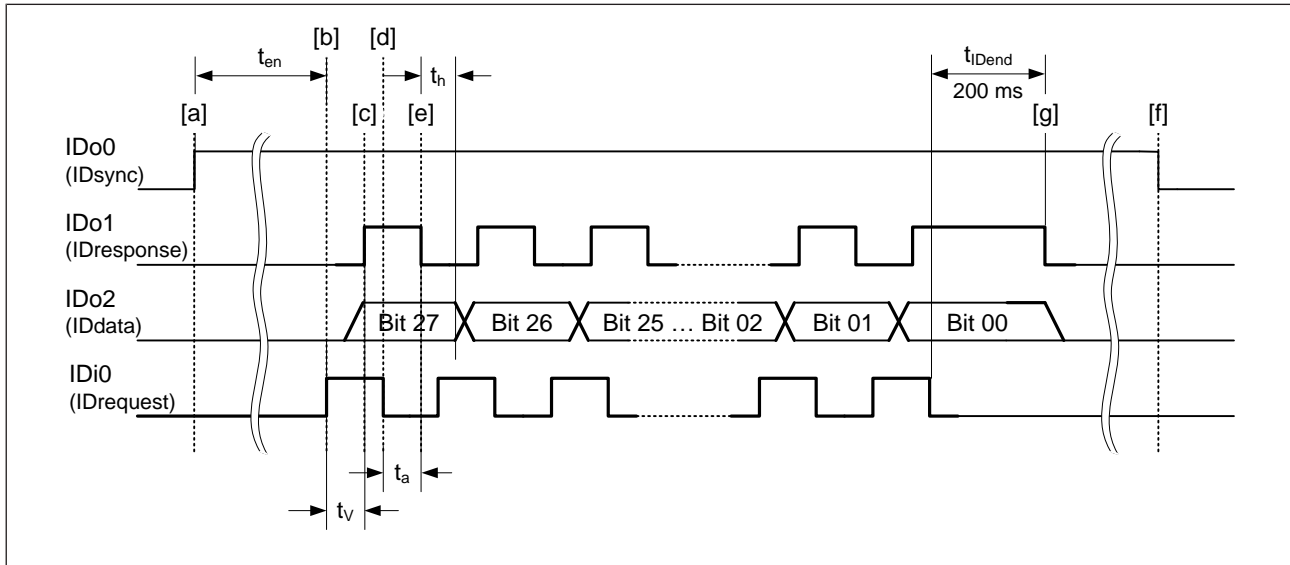


Fig.: Timing diagram for handshake-controlled signal download

Legend:

The additional terminal designations (IDsync, IDresponse, IDdata and IDrequest etc.) are abbreviations for the terminal signal's application.

IDo0 Control line

The signal is generated by the operating mode selector switch.

"0" signal No transponder key is connected or the transponder key that is connected is invalid. The control system cannot request the Key ID number.

"1" signal A valid transponder key is connected and the control system can request the Key ID number.

IDo1 Handshake line (Response)

The signal is generated by the operating mode selector switch and indicates whether a data bit at IDo2 is valid/invalid.

"0" signal The data bit at IDo2 is invalid and may not be evaluated.

"1" signal The data bit at IDo2 is valid and may be evaluated.

IDo2 Data line for downloading the Key ID number

The Key ID number (28 Bit) is generated by the operating mode selector switch. The download begins with MSB (Bit27 ... Bit00).

IDi0 Handshake line (Request)

The signal is generated by the control system.

"0" signal No bit is requested at IDo2

"1" signal A new bit is requested at IDo2.

t_{en} IDsync Enable Time (min. 0 ms)

t_v Data Output Valid Time (max. 10 ms)

t_h Data Output Hold Time (min. 0 ms)

t_a Data Output Access Time (max. 10 ms)

t_{IDend} End of Key ID Number Transfer (200 ms)

After the last falling edge at IDi0, the operating mode selector switch still has a "1" signal at output IDo1 for 200 ms. In this way, the end of the Key ID number and therefore the end of the download (End of Key ID Number Transfer) is displayed. This can be used for the feasibility check.

Download procedure

- [a] "1" signal at IDo0 (control line):
A valid transponder key is present at the operating mode selector switch.
- [b] "1" signal at IDi0 (handshake line):
The control system requests a data bit at data line IDo2 an (= Request).
- [c] "1" signal at IDo1 (handshake line):
The operating mode selector switch confirms the validity of the data bit at data line IDo2 (= Response).
- [d] "0" signal at IDi0 (handshake line):
The control system confirms that it has read the requested data bit without error.
- [e] "0" signal at IDo1 (handshake line):
The operating mode selector switch is ready to issue a new data bit at data line IDo2.
- [f] "0" signal at IDo0 (control line):
The transponder key has been removed.
- [g] The control system must request all the data bits of a Key ID number (Bit27 ... Bit00). Only then is it possible to start downloading a new Key ID number. The end of the download is indicated by the signal extension (t_{Dend}) at IDo1.

Status diagram for handshake-controlled signal download

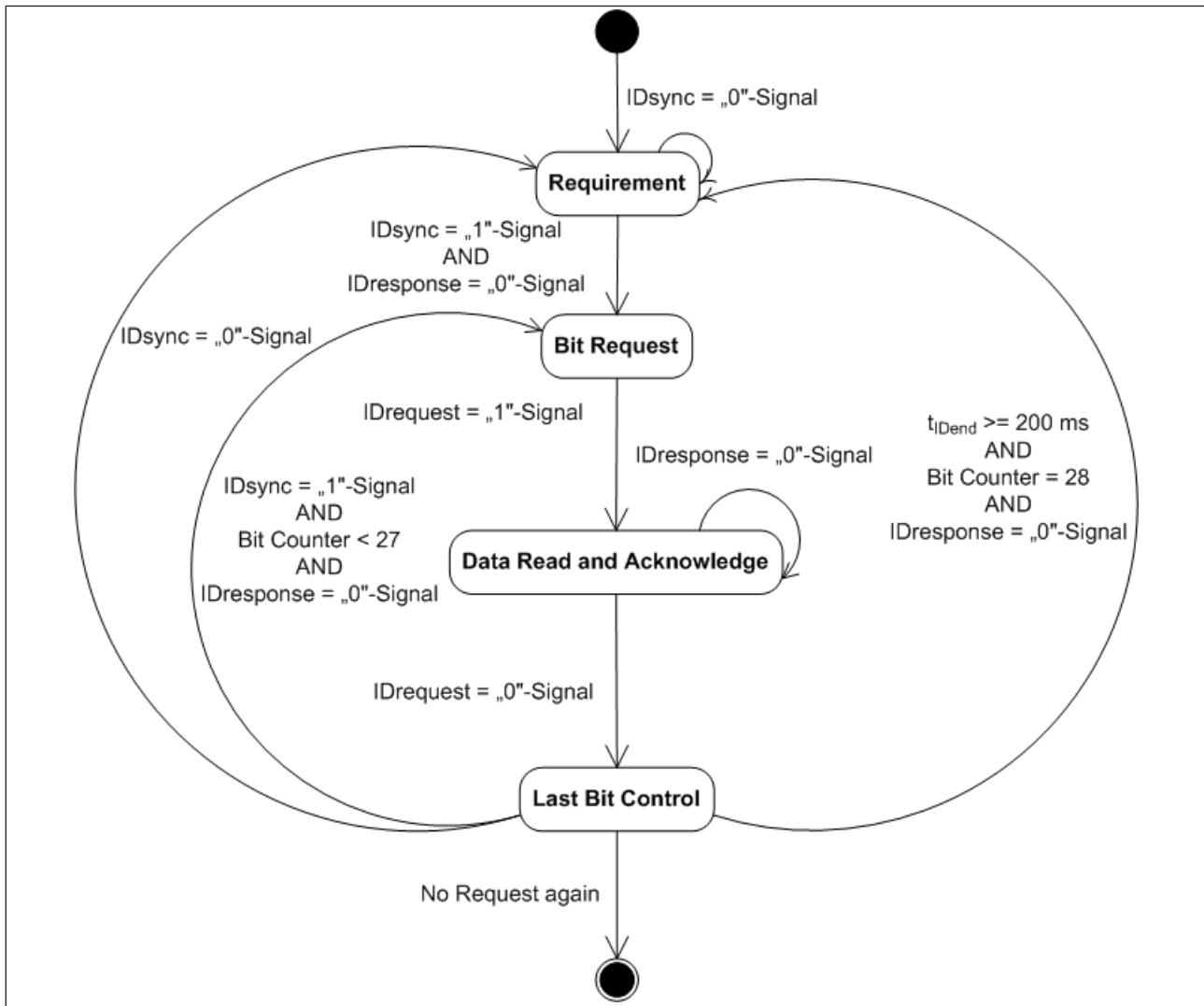


Fig.: Status diagram for handshake-controlled signal download

Flowchart for evaluating the Key ID interface

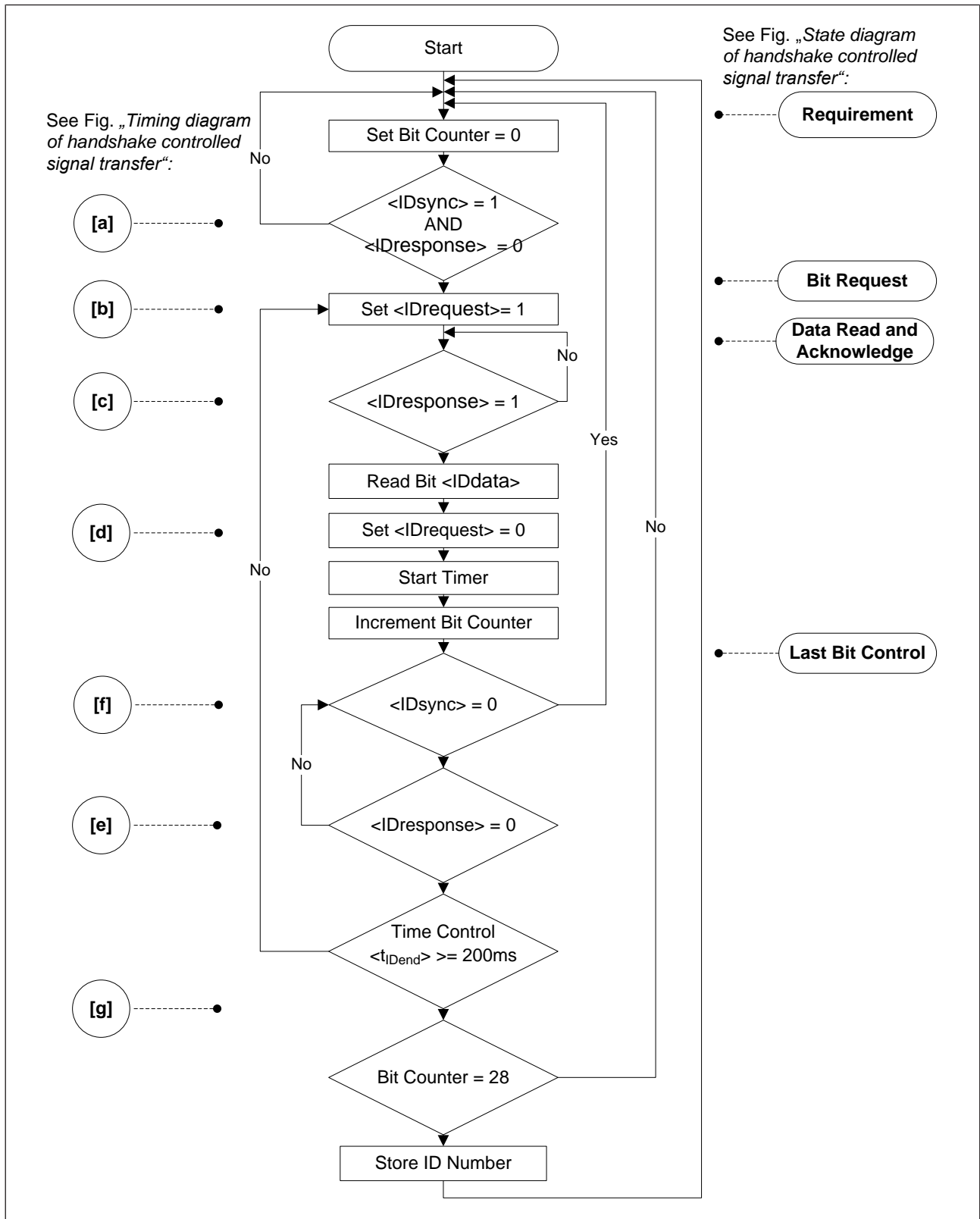


Fig.: Evaluation of the Key ID number via a control system (principle)

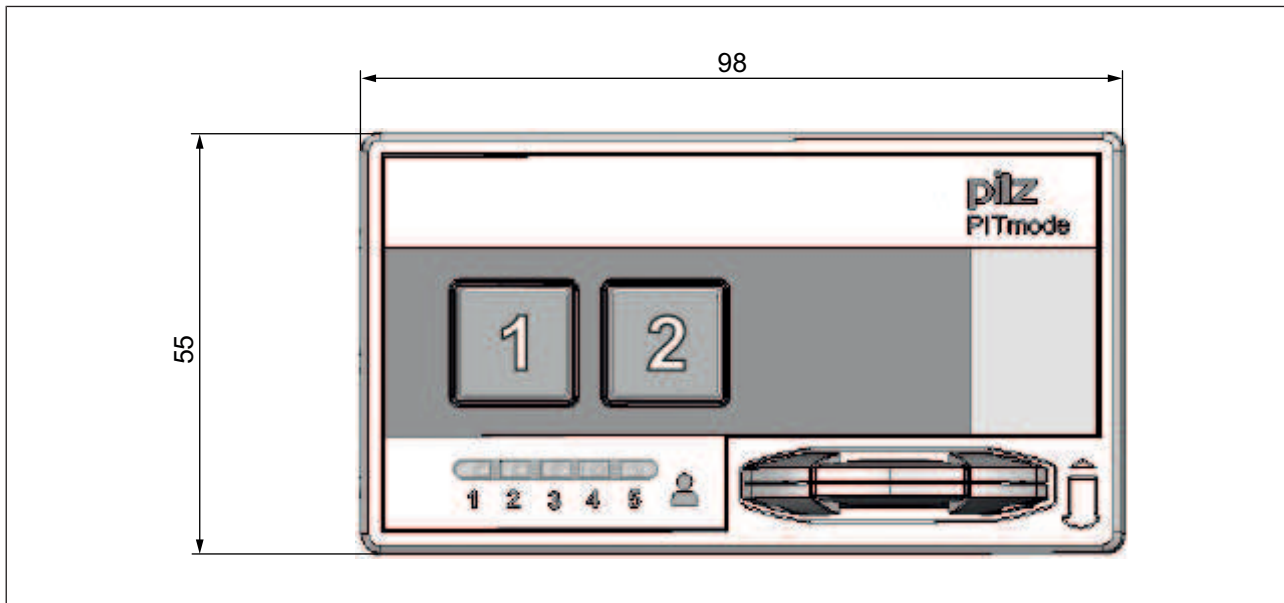
5 Installation

5.1 General installation guidelines

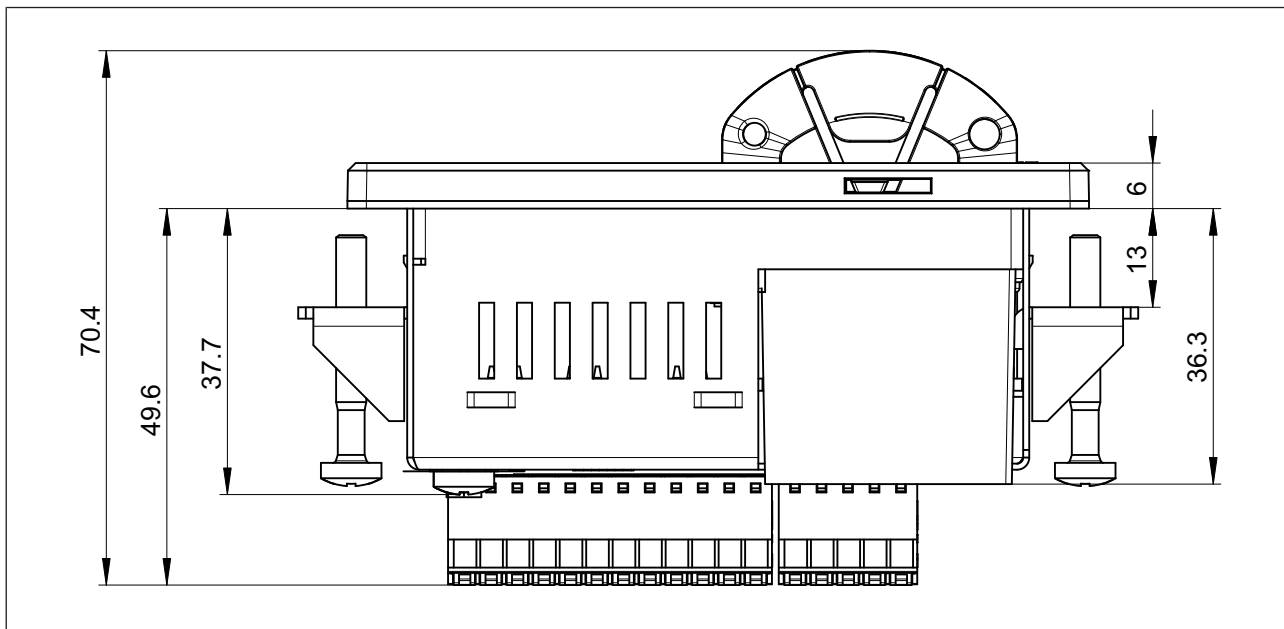
- ▶ The installation site must conform to the protection type IP54.
- ▶ Ensure that the operating mode selector switch has sufficient ventilation.
- ▶ Attach the operating mode selector switch using the brackets provided.
- ▶ Make sure that the gasket is seated correctly.

5.2 Dimensions

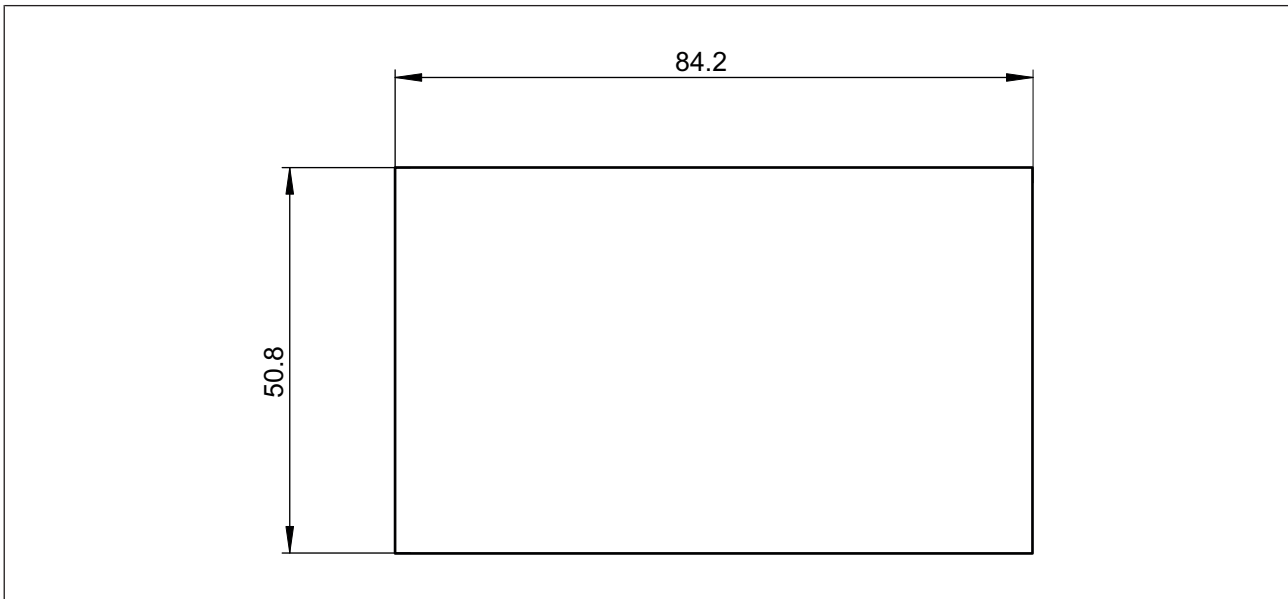
Front view



View from below



5.3 Mounting cutout



6 Wiring

6.1 Terminal configuration



INFORMATION

The connection terminals are not supplied with the unit.

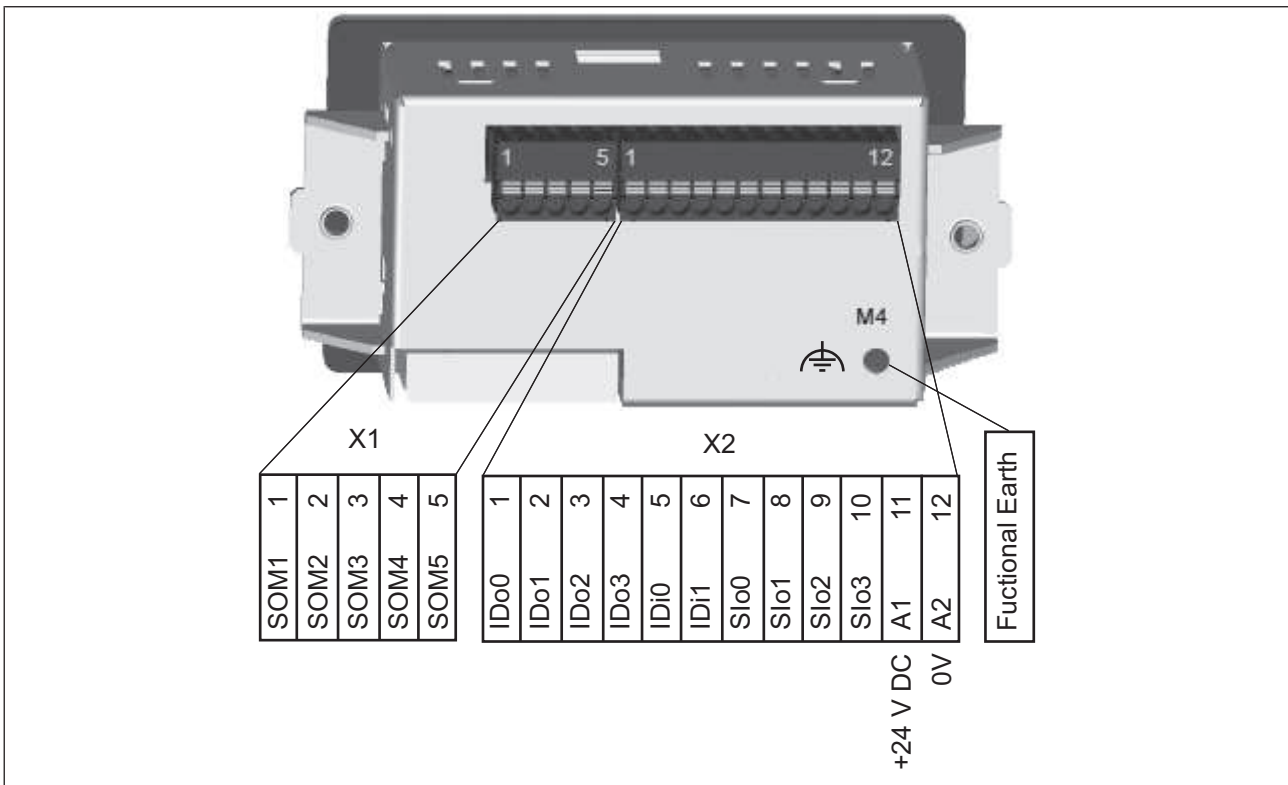



Fig.: Terminal configuration

Legend

- SOM1 .. SOM5 Operating mode interface: Monitored semiconductor outputs for the operating modes OM1, OM2 and OM5
 - SOM1 Monitored semiconductor output for OM1
 - SOM2 Monitored semiconductor output for OM2
 - SOM3 *No function*
 - SOM4 *No function*
 - SOM5 Monitored semiconductor output for OM5 (Service)

- IDo0 ... IDo3 Key ID interface: Semiconductor outputs for sending the output signals to the control system
 The function of the terminals depends on the communication mode that has been configured.

- IDi0 ... IDi1 Key ID interface: Inputs for receiving the input signals from the control system
 The function of the terminals depends on the communication mode that has been configured.

Slo0 ... Slo3	Interface for status information: Evaluation of status information
A1, A2	Terminals for connecting the supply voltage
	Functional earth

6.2 Connecting the unit


Proceed as follows:

1. Connecting the supply voltage
 - ⇒ Connect the supply voltage to (A1, A2).

Please note the following:

The power supply must meet the regulations for extra low voltages with protective separation (SELV, PELV).

The cables for the unit's supply voltage (A1, A2) must be fitted with a 4 A fuse, characteristic B/C.
2. Connecting the operating mode interface's semiconductor outputs
 - ⇒ Connect the operating mode interface's semiconductor outputs to a control system that supports "1ooN" evaluation.

You must read the information concerning intended use (see [Intended use](#)  12).
3. Connecting the interface's terminals for status information
 - ⇒ Connect the terminals (Slo0 ... Slo3) to a control system that supports evaluation of the status information.
4. Configure communication mode for downloading the Key ID number
 - ⇒ To download the Key ID number in handshake-controlled communication mode, connect terminals IDo3 and IDi1 of the Key ID interface.

No configuration is required for transmitter-controlled communication mode.
5. Connecting the terminals of the Key ID interface
 - ⇒ Depending on the selected communication mode, connect the terminals of the Key ID interface to a control system that supports the download of the Key ID number.
 - or
 - ⇒ Connect IDo0 to a control system, if all you wish to do in handshake-controlled communication mode is evaluate whether the transponder key is valid/invalid. In this case you will only use IDo0 as a signal output. The unused terminals on the Key ID interface (IDo1, IDo2 and IDi0) may remain unwired ("open").

6.3 Connection to a control system

Depending on the application area and its respective regulations, the operating mode selector switch can be used up to SIL CL 2 (EN IEC 62061) and up to PL d (EN ISO 13849-1), if the operating modes are evaluated by a safety control system with safe "1oon" evaluation.

The examples below meet the following conditions:

- ▶ A PNOZ m1p is used as a safety control system.
- ▶ An "operating mode selector switch" function element is configured in the PNOZmulti Configurator for safe "1oon" evaluation.
- ▶ The Key ID interface and the interface for status information are evaluated via a higher-level process control system.
- ▶ The cables for the unit's supply voltage (A1, A2) contain a 4 A fuse, characteristic B/C.

Connection for transmitter-controlled communication mode

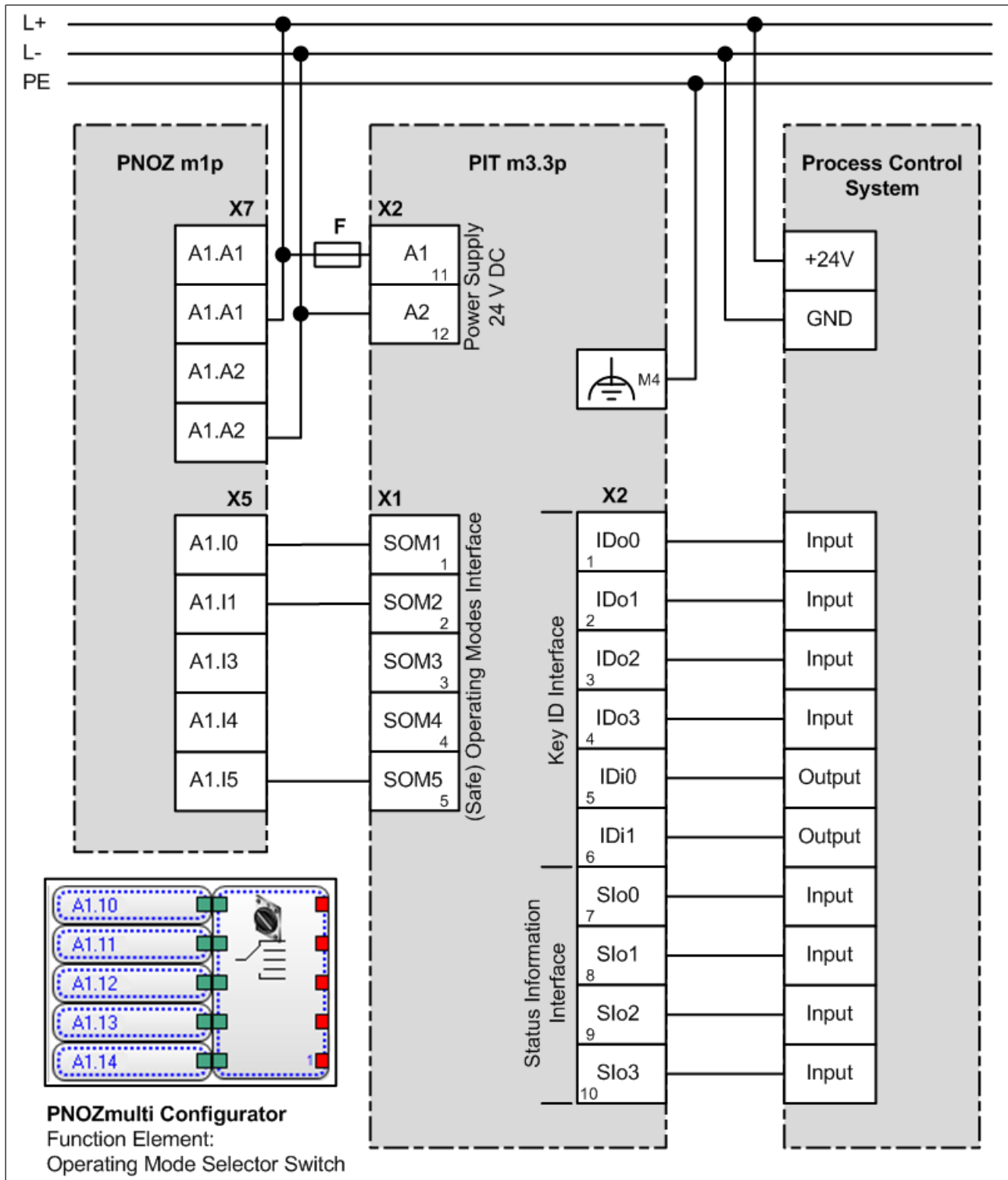


Fig.: Connection for transmitter-controlled communication mode (example)

Connection for handshake-controlled communication mode

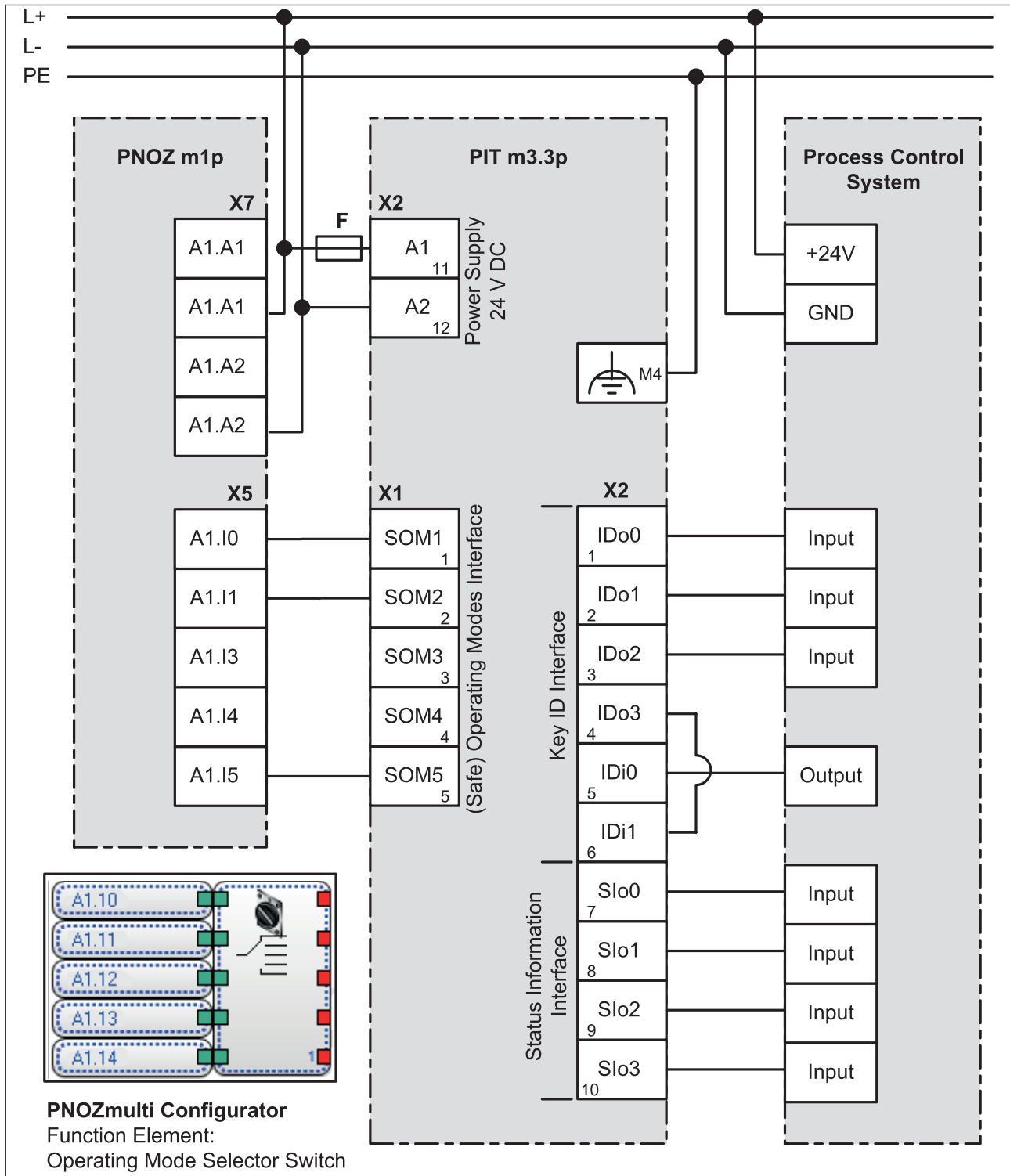


Fig.: Connection for handshake-controlled communication mode (example)

7 Operation

Switch-on behaviour



INFORMATION

After the operating mode selector switch is switched on (Power ON) or after voltage is returned (reset), operating mode OM1 is selected automatically. This also applies if no transponder key is connected, or a transponder key is detected but is invalid.

Behaviour in the event of an error in operating modes OM1/OM2



NOTICE

In the event of an error, the unit does **not** change operating mode. The active operating mode (OM1 or OM2) is displayed via the backlit button and the assigned semiconductor output has a 1 signal.

Behaviour in the event of an error in special operating mode OM5 (Service)



NOTICE




In the event of an error, the unit does **not** change operating mode. Faulty operation is indicated by the fact that all buttons are either all lit or all out. The assigned semiconductor output has a 1 signal.

7.1 Select operating modes OM1/OM2

Prerequisites

- ▶ A transponder key with the relevant authorisations must be present.
- ▶ The operating mode selector switch must recognise the transponder key as valid.
- ▶ The transponder key must be present at the operating mode selector switch for the whole time the button is operated.
- ▶ Several buttons may **not** be operated simultaneously when selecting an operating mode.

Procedure

1. Establish the connection with the transponder key
 - ⇒ Insert the transponder key into the slot.
Note: The transponder key must support the operating mode/operating modes into which you wish to switch. The authorisation display LEDs provide information about the authorisations available with the relevant transponder key (see [Control elements](#) [ 10]).
2. Select operating mode
 - ⇒ Select the required operating mode by pressing the relevant button.
Please note the required operating time (see [Monitoring of operating time](#) [ 50]). The operating mode has been selected correctly if the button is rear lit once it is released.
3. Complete operating mode selection
 - ⇒ Complete the operating mode selection by removing the transponder key.
Once you have removed the transponder key, the operating mode selector switch behaves in accordance with the configuration (see [Switch behaviour after a transponder key is removed](#) [ 25]).



INFORMATION




You can switch between the individual operating modes at will.

7.2 Select special mode (service)

Prerequisites

- ▶ A transponder key must be available with authorisation for special operating mode OM5 (Service).
- ▶ The operating mode selector switch must recognise the transponder key as valid.
- ▶ The transponder key must be present at the operating mode selector switch for the whole time the button is operated.
- ▶ Several buttons may **not** be operated simultaneously when selecting an operating mode.

Procedure

1. Establish the connection with the transponder key
 - ⇒ Insert the transponder key "Key Service" into the slot.
Note: All authorisation display LEDs must light (see [Control elements](#)  10]).
2. Select special mode OM5 (Service)
 - ⇒ Press button 1 (OM1).
Please note the required operating time (see [Monitoring of operating time](#)  50). The operating mode has been selected correctly if all the buttons flash when button 1 is released. The buttons flash for as long as they are in special operating mode OM5 (Service).
3. Complete operating mode selection
 - ⇒ Complete the operating mode selection by removing the transponder key. Once you have removed the transponder key, the operating mode selector switch behaves in accordance with the configuration (see [Switch behaviour after a transponder key is removed](#)  25]).



INFORMATION

Special operating mode OM5 (Service) can be selected from any of the operating modes.

7.3 Monitoring of operating time

A change of operating modes is only detected if the relevant button has been operated for a defined time period.

Button's operating time

Button	Operating mode	Output	Operating time
1	OM1	SOM1	> 50 ms and
2	OM2	SOM2	< 5 s
1	OM5 (Service)	SOM5	> 5 s and < 10 s

7.4 Switchover delay t1

Once a button has been released, the assigned output on the operating mode interface switches to a "1" signal after the switchover delay t1 has elapsed (see [Technical details \[54\]](#)). This defined switchover delay guarantees that only one operating mode at a time has a "1" signal at the assigned output.

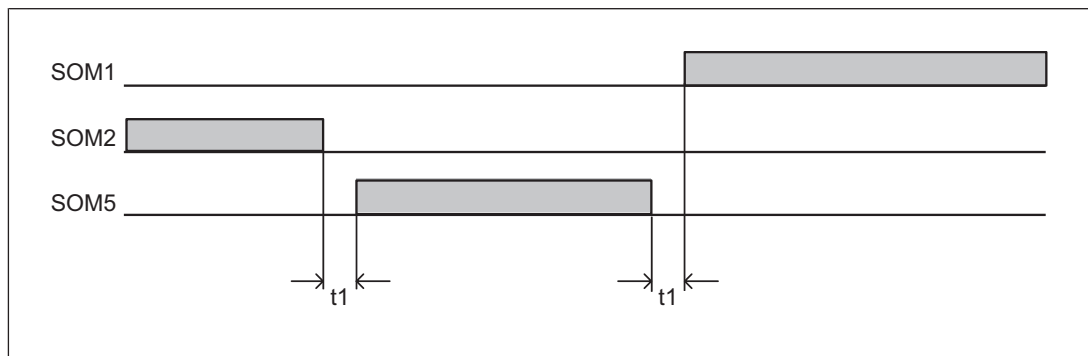


Fig.: Time characteristic when switching operating mode

7.5 Troubleshooting

If an error occurs on the operating mode selector switch, the last operating mode to be set will be retained.

Error	Possible cause	Remedy
Unable to switch the operating mode	Multiple operation of buttons	Make sure that only one button is operated
	Operating time too long or too short	Make sure that the period of operation is observed.
	Transponder key is not detected	Make sure that the transponder key is connected to the operating mode selector switch or inserted correctly.
	No valid authorisation	Make sure that you use a transponder key that has the required authorisation

7.6 Diagnostics

The operating mode selector switch has various options for displaying status information:

- ▶ Interface for status information (Slo0 ... Slo3)
- ▶ Button backlighting
- ▶ Authorisation display

7.6.1 Status information about the interface for status information

Various status information can be signalled via the interface for status information (see [Block diagram \[14\]](#)). The status information can be evaluated through a control system (see [Interface for status information \[16\]](#)).

7.6.2 Status information about button backlighting

Buttons 1 and 2 (see [Control elements \[10\]](#)) have button backlighting. Button backlighting is used to display which operating mode is active; i.e. which output (SOM1, SOM2 or SOM5) has a "1" signal.

Evaluation of pushbutton backlighting

Legend:

	LED on
	LED flashes
	LED off

LED pushbutton 1	LED pushbutton 2	Meaning
		▶ No supply voltage
		▶ OM 5 (Service) is active ▶ SOM1 has a "1" signal
		▶ OM 1 is active ▶ SOM1 has a "1" signal
		▶ OM 2 is active ▶ SOM2 has a "1" signal

7.6.3 Status information about authorisation display

If a transponder key is inserted in the slot of the operating mode selector switch, its authorisations are displayed via the authorisation display LEDs (see [Control elements \[10\]](#)).

Evaluation of LED signals

Legend:

	LED on
	LED off

LED	Status	Meaning
All LEDs		<ul style="list-style-type: none"> ▶ No transponder key inserted or ▶ Authorisation not recognised, or not recognised fully
		Authorisation available for OM1, OM2 and OM5
LED 1		No authorisation for OM1
		Authorisation available for OM1
LED 2		No authorisation for OM2
		Authorisation available for OM2
LED 3	<i>No function</i>	
LED 4	<i>No function</i>	
LED 5		No authorisation for OM5
		Authorisation available for OM5

8 Technical details

General	402240
Approvals	CE, TÜV
Sensor's mode of operation	Transponder
Electrical data	402240
Supply voltage	
Voltage	24 V
Kind	DC
Voltage tolerance	-15 %/+10 %
Output of external power supply (DC)	1,0 W
Residual ripple DC	20 %
Continuous duty	100 %
Status indicator	LED
Inputs	402240
Number	2
Signal level at "0"	-3 - +5 V DC
Signal level at "1"	15 - 30 V DC
Voltage at inputs	24 V DC
Input current range	2,0 mA
Galvanic isolation	No
Semiconductor outputs	402240
Overall performance ext. loading, semiconductor	3,5 W
Number of positive-switching single-pole semiconductor outputs	13
Switching capability	
Voltage	24 V
Current	20,0 mA
Signal level at "1"	–
Residual current at "0"	0,4 mA
Short circuit-proof	Yes
Times	402240
Switch-on delay	
after UB is applied	1,0 s
Supply interruption before de-energisation	20 ms
Switchover delay t1	50 ms
Operating time pushbutton 1 ... 4	50 ms ... 5 s
Operating time, service pushbutton	5 s ... 10 s
Environmental data	402240
Climatic suitability	DIN IEC 60068-2-3
Ambient temperature	
Temperature range	0 - 55 °C
Storage temperature	
Temperature range	-25 - 70 °C

Environmental data	402240
Climatic suitability	
In accordance with the standard	EN 60068-2-78
Humidity	95 % r. h. at 40 °C
EMC	EN 60947-5-1
Vibration	
In accordance with the standard	EN 60068-2-6
Frequency	10,0 - 55,0 Hz
Amplitude	0,35 mm
Airgap creepage	
In accordance with the standard	EN 60664-1
Overvoltage category	II
Pollution degree	2
Rated insulation voltage	60 V
Rated impulse withstand voltage	0,80 kV
Protection type	
Mounting area (e.g. control cabinet)	IP54
Housing	IP20
Terminals	IP20
Mechanical data	402240
Operating distances	
Typical operating distance S_o	5,0 mm
Max. cable length	1000 m
Material	
Bottom	ST + 10μ Zn
Front	ABS
Conductor cross section with screw terminals	
1 core flexible	0,25 - 1,50 mm², 28 - 16
Fixing screws torque settings	0,30 Nm
Torque setting with screw terminals	0,25 Nm
Connection type	Spring-loaded terminal, plug-in, screw terminal, plug-in
Conductor cross section with spring-loaded terminals:	
Flexible with/without crimp connector	0,20 - 2,50 mm², 24 - 12 AWG
Spring-loaded terminals: Terminal points per connection	1
Stripping length	9 mm
Dimensions	
Height	55,0 mm
Width	98,0 mm
Depth	43,0 mm
Weight	160 g

The standards current on 2010-02 apply.

8.1 Safety characteristic data

Operating mode	EN ISO 13849-1: 2008 PL	EN ISO 13849-1: 2008 Category	EN IEC 62061 SIL CL	EN IEC 62061 PFH _D [1/h]	IEC 61511 SIL	IEC 61511 PFD	EN ISO 13849-1: 2008 T _M [year]
–	PL d	Cat. 3	SIL CL 2	1,10E-08	SIL 2	5,28E-04	20

All the units used within a safety function must be considered when calculating the safety characteristic data.



INFORMATION

A safety function's SIL/PL values are **not** identical to the SIL/PL values of the units that are used and may be different. We recommend that you use the PASCAL software tool to calculate the safety function's SIL/PL values.

9 Order reference

9.1 Product

Type	Features	Order no.
PIT m3.3p	Operating mode selector switch	402240
PIT m3.3p machine tools pictogram	Operating mode selector switch	402241

9.2 Accessories

Terminals

Type	Features	Order no.
Spring-loaded terminals	1 set	402 302
Angled screw terminals	1 set	402 303
Screw terminals	1 set	402 305

Transponder key

Type	Features	Order no.
PIT m3 key mode 1	Transponder Key Mode 01	402 211
PIT m3 key mode 2	Transponder Key Mode 02	402 212
PIT m3 key service	Transponder Key Service	402 215

► Support

Technical support is available from Pilz round the clock.

Americas

Brazil
+55 11 97569-2804
Canada
+1 888-315-PILZ (315-7459)
Mexico
+52 55 5572 1300
USA (toll-free)
+1 877-PILZUSA (745-9872)

Asia

China
+86 21 60880878-216
Japan
+81 45 471-2281
South Korea
+82 31 450 0680

Australia

+61 3 95446300

Europe

Austria
+43 1 7986263-0
Belgium, Luxembourg
+32 9 3217575
France
+33 3 88104000
Germany
+49 711 3409-444
Ireland
+353 21 4804983
Italy
+39 0362 1826711

Scandinavia

+45 74436332

Spain

+34 938497433

Switzerland

+41 62 88979-30

The Netherlands

+31 347 320477

Turkey

+90 216 5775552

United Kingdom

+44 1536 462203

You can reach our international hotline on:

+49 711 3409-444

support@pilz.com

Pilz develops environmentally-friendly products using ecological materials and energy-saving technologies. Offices and production facilities are ecologically designed, environmentally-aware and energy-saving. So Pilz offers sustainability, plus the security of using energy-efficient products and environmentally-friendly solutions.

The 4-fold safety of automation

COMPONENTS
SYSTEMS
SERVICES

Technical Ecological
Personal Economical

Energy saving by Pilz

BLUECOMPETENCE

Alliance Member

Partner of the Engineering Industry Sustainability Initiative



Pilz GmbH & Co. KG
Felix-Wankel-Straße 2
73760 Ostfildern, Germany
Tel.: +49 711 3409-0
Fax: +49 711 3409-133
info@pilz.com
www.pilz.com

pilz
the spirit of safety

CMSE, InduraNET p, PAS4000, PAScal, PASconfig, Pilz, PIT, PLID, PMCPrimo, PMCProtego, PMCTendo, PMD, PMI, PNOZ, Primo, PSEN, PSS, PVS, Safety SafetyYE, SafetyNET p, the spirit of safety, are registered and protected trademarks of Pilz GmbH & Co. KG in some countries. We would point out that product features may vary from the details stated in this document, depending on the status at the time of publication and the scope of the equipment. We accept no responsibility for the validity, accuracy and entirety of the text and graphics presented in this information. Please contact our Technical Support if you have any questions.