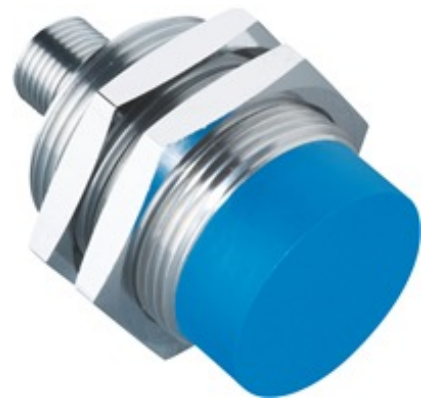




Inductive proximity sensors  
Cylindrical threaded housing, IMA30

IMA30-40NE1ZCOK



**Type** > IMA30-40NE1ZC0K  
**Part No.** > 6041796



**At a glance**

- Size M30
- Output signal proportional to distance
- Triple operating distance
- Analog current and voltage signal in one sensor
- High level of repeat accuracy
- No blind spots
- Operating distance from 0 mm to 40 mm

**Your benefits**

- High positioning accuracy
- High repeatability provides increased machine throughput, less wear and tear, and decreased downtime
- No blind zone - increases machine throughput and efficiency
- Current and voltage output in one sensor requires less inventory of maintenance stock, reducing costs
- Minimal temperature drift provides operational consistency



**Features**

Housing:	Cylindrical
Thread size:	M30 x 1.5
Sensing range Sn:	40 mm
Assured sensing range Sa:	32.4 mm
Installation type:	Non-flush
Output function:	Analog
Repeatability (Ta not constant):::	0.6 mm <sup>1) 2) 3)</sup>
Repeatability (Ta constant):	± 0.1 mm
Resolution:	≤ 10 µm
Enclosure rating:	IP 67 <sup>4)</sup>
Connection type:	Connector M12, 4-pin <sup>5)</sup>

<sup>1)</sup> As per IEC 60947-5-2   <sup>2)</sup> Ub = DC 20 V ... 30 V   <sup>3)</sup> TA = 23 °C ± 5 °C   <sup>4)</sup> As per EN 60529: 2000-09   <sup>5)</sup> Max. cable length 300 m

**Mechanics/electronics**

Supply voltage:	15 V DC ... 30 V DC
Ripple:	≤ 20 % <sup>1)</sup>
Time delay before availability:	≤ 50 ms

Temperature drift (of Sr):	≤ 10 %
Current consumption, no load:	≤ 12 mA <sup>2)</sup>
Output current:	± 10 mA <sup>3)</sup>
Load resistance, max.:	1,000 Ω, 400 Ω <sup>4) 5)</sup>
Output voltage:	0 V ... 10 V
Output voltage QA1:	S = 0 mm: 0 V/-0 +0,4 V (23 °C), S = 20 mm: +5,2 V/ + -0,4 V (23 °C), S = 40 mm: +10 V/ + -0,4 V (23 °C)
Output current QA2:	S = 0 mm: 4 mA/ + -0,8 mA (23 °C), S = 40 mm: 20 mA/ + -0,8 mA (23 °C)
Bandwidth:	100 Hz <sup>6)</sup>
Short-circuit protection:	✓
Reverse polarity protection:	✓
Ambient operating temperature:	-25 °C ... 70 °C <sup>7) 8)</sup>
Housing material:	Metal, Nickel-plated brass
Housing cap material:	Plastic, PBTP
Housing length:	48.5 mm
Thread length:	25 mm

<sup>1)</sup> Of  $V_S$  <sup>2)</sup> Without load <sup>3)</sup> At voltage output QA1 <sup>4)</sup>  $U_b = 15 V$  <sup>5)</sup>  $U_b = 30 V$  <sup>6)</sup> -3 dB if s = 20 mm <sup>7)</sup> QA1 loaded, QA2 unloaded <sup>8)</sup> QA1 loaded, QA2 loaded: see temperature reduction

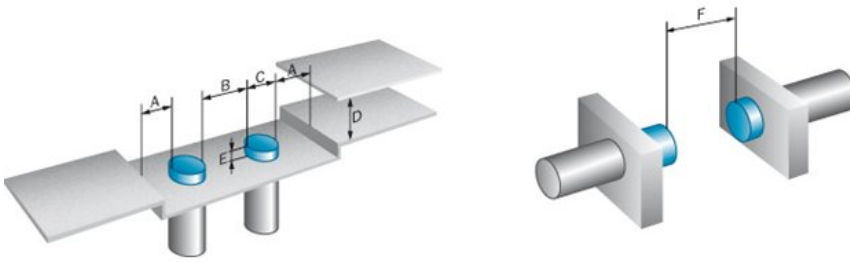
### Reduction factors

Note:	The values are reference values which may vary
Stainless steel (V2A, 304):	Ca. 0.8
Copper (Cu):	Ca. 0.4
Aluminum (Al):	Ca. 0.4
Brass (Br):	Ca. 0.5

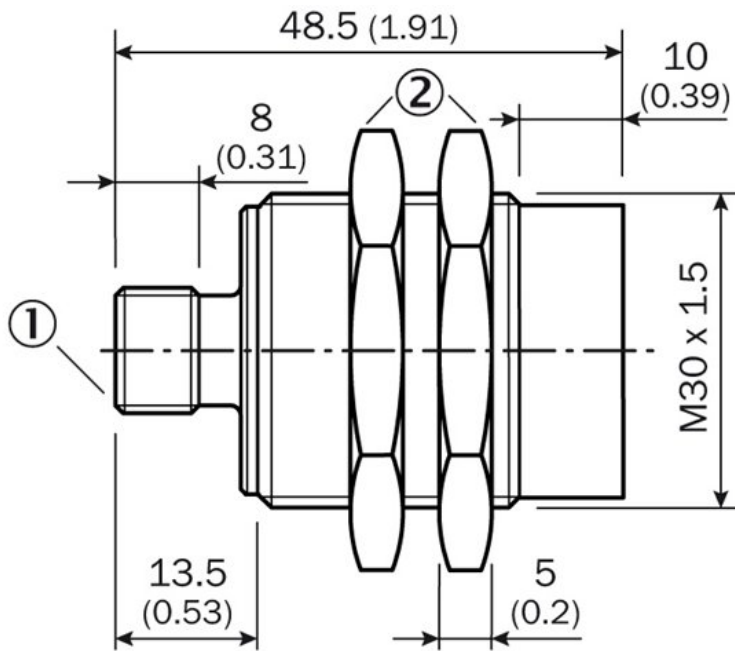
### Installation note

A:	40 mm
B:	120 mm
C:	30 mm
D:	120 mm
E:	Aluminium: 25 mm, Stainless steel: 20 mm, Brass: 25 mm, Steel: 35 mm
F:	400 mm
Remark:	Associated graphic see "Installation"

## Installation note



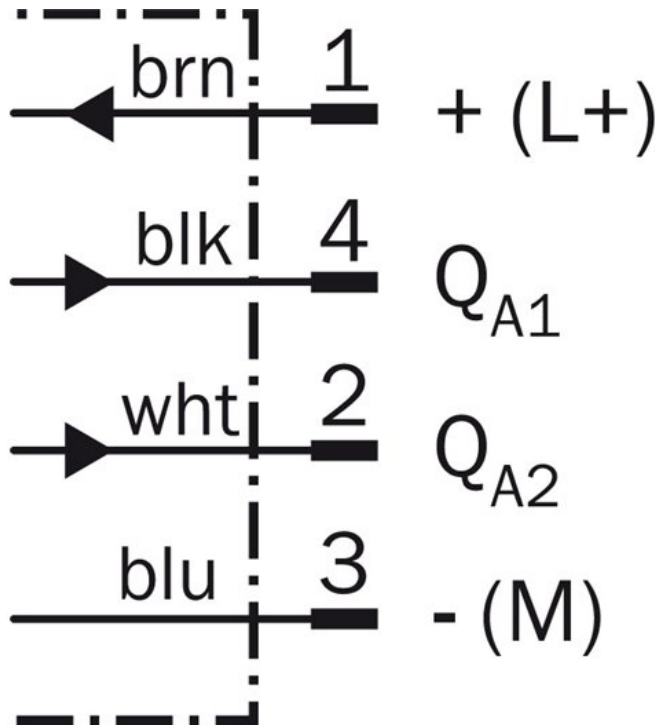
## Dimensional drawing



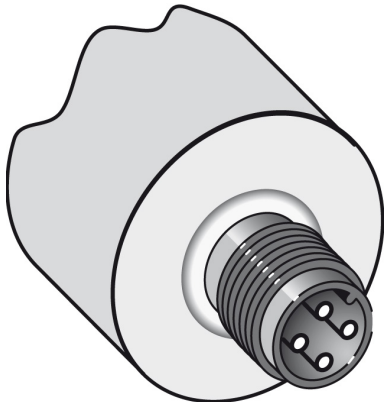
- [1] Connection
- [2] fastening nuts (2 x); 36 mm hex, metal

All dimensions in mm (inch)

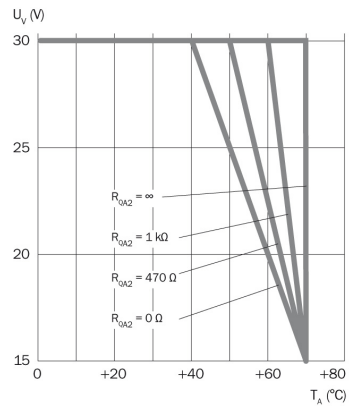
Connection diagram



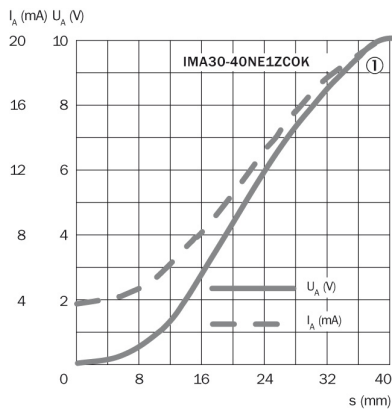
Connection type



Temperature derating



Response curve



**Australia**

Phone +61 3 9457 0600  
1800 33 48 02 – tollfree  
E-Mail sales@sick.com.au

**Belgium/Luxembourg**

Phone +32 (0)2 466 55 66  
E-Mail info@sick.be

**Brasil**

Phone +55 11 3215-4900  
E-Mail marketing@sick.com.br

**Canada**

Phone +1 905 771 14 44  
E-Mail information@sick.com

**Česká republika**

Phone +420 2 57 91 18 50  
E-Mail sick@sick.cz

**China**

Phone +86 4000 121 000  
E-Mail info.china@sick.net.cn  
Phone +852-2153 6300  
E-Mail ghk@sick.com.hk

**Danmark**

Phone +45 45 82 64 00  
E-Mail sick@sick.dk

**Deutschland**

Phone +49 211 5301-301  
E-Mail info@sick.de

**España**

Phone +34 93 480 31 00  
E-Mail info@sick.es

**France**

Phone +33 1 64 62 35 00  
E-Mail info@sick.fr

**Great Britain**

Phone +44 (0)1727 831121  
E-Mail info@sick.co.uk

**India**

Phone +91-22-4033 8333  
E-Mail info@sick-india.com

**Israel**

Phone +972-4-6881000  
E-Mail info@sick-sensors.com

**Italia**

Phone +39 02 27 43 41  
E-Mail info@sick.it

**Japan**

Phone +81 (0)3 5309 2112  
E-Mail support@sick.jp

**Magyarország**

Phone +36 1 371 2680  
E-Mail office@sick.hu

**Nederland**

Phone +31 (0)30 229 25 44  
E-Mail info@sick.nl

**Norge**

Phone +47 67 81 50 00  
E-Mail sick@sick.no

**Österreich**

Phone +43 (0)22 36 62 28 8-0  
E-Mail office@sick.at

**Polska**

Phone +48 22 837 40 50  
E-Mail info@sick.pl

**România**

Phone +40 356 171 120  
E-Mail office@sick.ro

**Russia**

Phone +7-495-775-05-30  
E-Mail info@sick.ru

**Schweiz**

Phone +41 41 619 29 39  
E-Mail contact@sick.ch

**Singapore**

Phone +65 6744 3732  
E-Mail sales.gsg@sick.com

**Slovenija**

Phone +386 (0)1-47 69 990  
E-Mail office@sick.si

**South Africa**

Phone +27 11 472 3733  
E-Mail info@sickautomation.co.za

**South Korea**

Phone +82 2 786 6321/4  
E-Mail info@sickkorea.net

**Suomi**

Phone +358-9-25 15 800  
E-Mail sick@sick.fi

**Sverige**

Phone +46 10 110 10 00  
E-Mail info@sick.se

**Taiwan**

Phone +886 2 2375-6288  
E-Mail sales@sick.com.tw

**Türkiye**

Phone +90 (216) 528 50 00  
E-Mail info@sick.com.tr

**United Arab Emirates**

Phone +971 (0) 4 88 65 878  
E-Mail info@sick.ae

**USA/México**

Phone +1(952) 941-6780  
1 (800) 325-7425 – tollfree  
E-Mail info@sickusa.com

More representatives and agencies  
at [www.sick.com](http://www.sick.com)